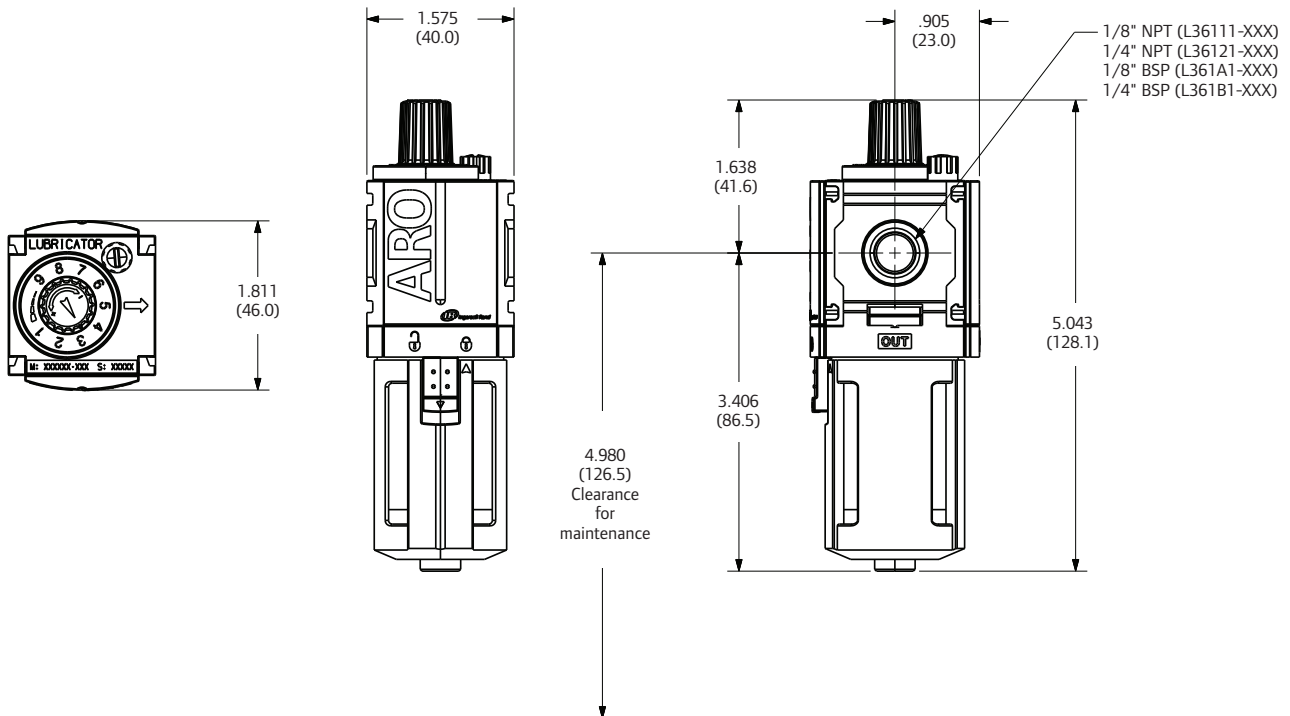


# 1000 Series Lubricators

1/8" and 1/4" Ports

Technical data		
Lubricator body	Aluminum	
Lubricator sight dome	Nylon	
Lubricator inlet tube	Urethane	
Seals	Nitrile	
	POLYCARBONATE BOWL	METAL BOWL
Max inlet pressure (psi)	150	250
Temperature range (F)	23 – 125	23 – 175
Bowl capacity (oz)	0.6	0.7
Flow capacity — 1/8" Port*	32 scfm	
Flow capacity — 1/4" Port*	51 scfm	

\*Inlet pressure 90 psi (6.2 bar) with 7 psi drop (0.5 bar)



### How to order

To configure the desired part number, use the chart below to select the port size, thread type, and configuration options.

Port size	Base model				
1/8" - L361	1	-	X	X	
1/4" - L361	2	-	X	X	

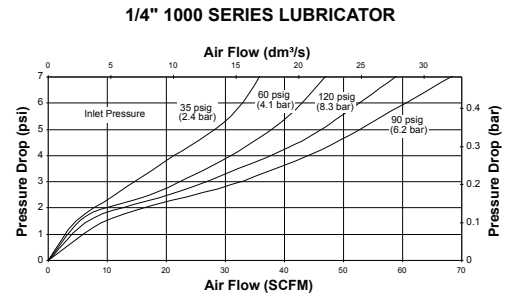
**Note:** Some menu combinations not available. Please consult price book to verify. Popular options are shown in **red** below.

<b>Thread type</b>	<b>Adjustment option</b>	<b>Bowl option</b>	<b>Fill option</b>
1 1/8" NPT	1 Standard	0 Polycarbonate w/ guard	0 Standard
2 1/4" NPT		2 Metal	
A 1/8" BSP			
B 1/4" BSP			

### Popular configurations

Port size NPT	Adjustment option	Bowl cap (oz)	Fill option	Model
<b>METAL BOWL</b>				
1/8"	Standard	0.7	Standard	L36111-120
1/4"	Standard	0.7	Standard	L36121-120
<b>POLYCARBONATE BOWL W/ GUARD</b>				
1/8"	Standard	0.6	Standard	L36111-100
1/4"	Standard	0.6	Standard	L36121-100

### 1/4" Pressure drop test



See page 77 for additional flow charts

### Replacement parts

MODEL	DESCRIPTION
104311	Polycarbonate bowl w/ guard
104312	Metal bowl
104313	Lubricator bowl service kit
104314	Sight dome repair kit

### Accessories

See page 65 for details

MODEL	DESCRIPTION
104390-1	1/8" NPT lockout valve
104390-2	1/4" NPT lockout valve
104394	Modular clamp
104474-1	1/8" NPT pipe adapter
104474-2	1/4" NPT pipe adapter
104477-1	1/8" Check valve
104477-2	1/4" Check valve
104399	T-type wall mount
104407	C-type wall mount
104411-1-1	1/8" x 1/8" Manifold block
104411-2-2	1/4" x 1/4" Manifold block

### F + R + L Combinations

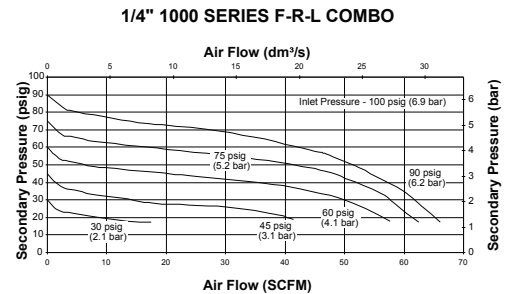
Port size NPT	Filter	Components Regulator	Lubricator	Model
<b>MANUAL DRAIN • METAL BOWL • RELIEVING • W/ GAUGE</b>				
1/8"	F35111-420	R37111-600	L36111-120	C38111-820
1/4"	F35121-420	R37121-600	L36121-120	C38121-820
<b>MANUAL DRAIN • POLYCARBONATE BOWL • RELIEVING • W/ GAUGE</b>				
1/8"	F35111-400	R37111-600	L36111-100	C38111-800
1/4"	F35121-400	R37121-600	L36121-100	C38121-800
<b>AUTO DRAIN • METAL BOWL • RELIEVING • W/ GAUGE</b>				
1/4"	F35121-421	R37121-600	L36121-120	C38121-821
<b>AUTO DRAIN • POLYCARBONATE BOWL • RELIEVING • W/ GAUGE</b>				
1/4"	F35121-401	R37121-600	L36121-100	C38121-801

### F/R + L Combinations

Port size NPT	Filter-Regulator	Components Lubricator	Model
<b>MANUAL DRAIN • METAL BOWL • RELIEVING • W/ GAUGE</b>			
1/8"	P39114-620	L36111-120	C38111-620
1/4"	P39124-620	L36121-120	C38121-620
<b>MANUAL DRAIN • POLYCARBONATE BOWL • RELIEVING • W/ GAUGE</b>			
1/8"	P39114-600	L36111-100	C38111-600
1/4"	P39124-600	L36121-100	C38121-600
<b>AUTO DRAIN • METAL BOWL • RELIEVING • W/ GAUGE</b>			
1/4"	P39124-624	L36121-120	C38121-621
<b>AUTO DRAIN • POLYCARBONATE BOWL • RELIEVING • W/ GAUGE</b>			
1/4"	P39124-604	L36121-100	C38121-601

**Note:** Other combinations may be assembled by purchasing the individual components separately. Modular connector kits are required to connect the individual units together.

### 1/4" Pressure drop test



See page 77 for additional flow charts

### Replacement parts

MODEL	DESCRIPTION
104293	Replacement auto drain*
104294	Replacement manual drain
104295	5-Micron element
104296	40-Micron element
104297	0.3-Micron element
104298	Poly bowl, manual drain
104299	Poly bowl, auto drain
104300	Metal bowl, manual drain
104301	Metal bowl, auto drain
104468	Filter bowl service kit (O-ring)
104459	Coalescing filter bowl, manual drain
104460	Coalescing filter bowl, auto drain
104302	Regulator service kit (relieving)
104303	Regulator service kit (non-relieving)
104304	Tamper kit
104305	0 – 30 psi Spring
104306	0 – 60 psi Spring
104307	0 – 140 psi Spring
104310	0 – 140 psi Gauge flush mount
104311	Polycarbonate bowl w/ guard
104312	Metal bowl
104313	Lubricator bowl service kit
104314	Sight dome repair kit
104416	Panel Nut

\* Replacement auto drains can only be used with auto drain bowls.