

# 2000 Series Lubricators

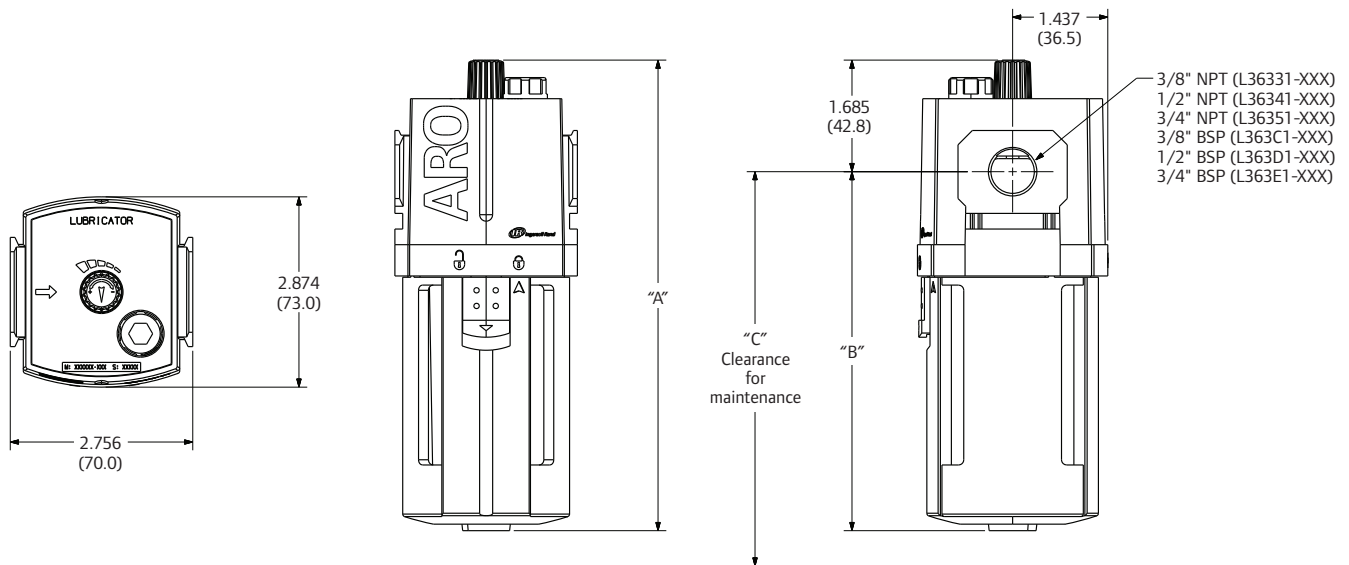
3/8", 1/2", and 3/4" Ports

Technical data		
Lubricator body	Aluminum	
Lubricator sight dome	Nylon	
Lubricator inlet tube	Urethane	
Seals	Nitrile	
	POLYCARBONATE BOWL	METAL / METAL W/ SIGHT GLASS
Max inlet pressure (psi)	150	250
Temperature range (F)	23 – 125	23 – 175
Bowl capacity (oz)	4.3	3.7
Flow capacity — 3/8" port*	85 scfm	
Flow capacity — 1/2" port*	156 scfm	
Flow capacity — 3/4" port*	222 scfm	

\*Inlet pressure 90 psi (6.2 bar) with 7 psi drop (0.5 bar)



2000 Series



MODEL	A (MM)	B (MM)	C (MM)	BOWL OPTION
L363X1-X0X	7.087 (180.0)	5.402 (137.2)	9.402 (238.8)	POLYCARBONATE
L363X1-X1X	7.165 (182.0)	5.480 (139.2)	8.980 (228.1)	METAL W/ SIGHT GLASS
L363X1-X2X	7.165 (182.0)	5.480 (139.2)	8.980 (228.1)	METAL

## How to order

To configure the desired part number, use the chart below to select the port size, thread type, and configuration options.

Port size	Base model			
3/8"	L363	3	1	- X X X
1/2"	L363	4	1	- X X X
3/4"	L363	5	1	- X X X

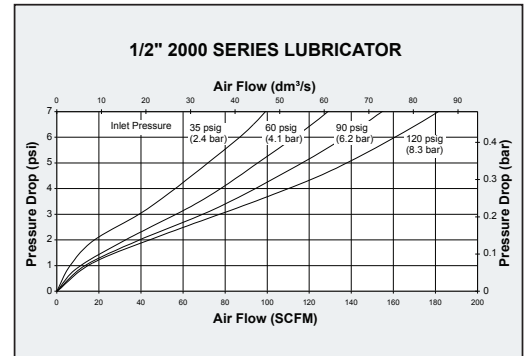
**Note:** Some menu combinations not available. Please consult price book to verify. Popular options are shown in **red** below.

Thread type	Adjustment option	Bowl option	Fill option
<b>3</b> 3/8" NPT	<b>1</b> Standard	<b>0</b> Polycarbonate	<b>0</b> Standard
<b>4</b> 1/2" NPT		<b>1</b> Metal w/ sight glass	
<b>5</b> 3/4" NPT		<b>2</b> Metal	
<b>C</b> 3/8" BSP			
<b>D</b> 1/2" BSP			
<b>E</b> 3/4" BSP			

## Popular configurations

Port size NPT	Adjustment option	Bowl cap (oz)	Fill option	Model
<b>METAL BOWL</b>				
3/8"	Standard	3.7	Standard	L36331-120
1/2"	Standard	3.7	Standard	L36341-120
3/4"	Standard	3.7	Standard	L36351-120
<b>METAL BOWL W/ SIGHT GLASS</b>				
3/8"	Standard	3.7	Standard	L36331-110
1/2"	Standard	3.7	Standard	L36341-110
3/4"	Standard	3.7	Standard	L36351-110
<b>POLYCARBONATE BOWL W/ GUARD</b>				
3/8"	Standard	4.3	Standard	L36331-100
1/2"	Standard	4.3	Standard	L36341-100
3/4"	Standard	4.3	Standard	L36351-100

## 1/2" Pressure drop test



See page 77 for additional flow charts

## Replacement parts

MODEL	DESCRIPTION
104336	Polycarbonate bowl w/ guard
104337	Metal bowl
104338	Metal bowl w/ sight glass
104339	Lubricator bowl service kit
104470	Sight dome repair kit

## Accessories

See page 65 for details

MODEL	DESCRIPTION
104392-3	3/8" NPT lockout valve
104392-4	1/2" NPT lockout valve
104396	Modular clamp
104398-3	3/8" NPT pipe adapter
104398-4	1/2" NPT pipe adapter
104479-3	3/8" Check valve
104479-4	1/2" Check valve
104401	T-type wall mount
104409	C-type wall mount
104413-3-3	3/8" x 3/8" Manifold block
104413-4-3	1/2" x 3/8" Manifold block

## F + R + L Combinations

Port size NPT	Filter	Components Regulator	Lubricator	Model
<b>MANUAL DRAIN • METAL BOWL W/ SIGHT GLASS • RELIEVING • W/ GAUGE</b>				
3/8"	F35331-410	R37331-600	L36331-110	C38331-810
1/2"	F35341-410	R37341-600	L36341-110	C38341-810
3/4"	F35351-410	R37351-600	L36351-110	C38351-810
<b>MANUAL DRAIN • POLYCARBONATE BOWL W/ GUARD • RELIEVING • W/ GAUGE</b>				
3/8"	F35331-400	R37331-600	L36331-100	C38331-800
1/2"	F35341-400	R37341-600	L36341-100	C38341-800
3/4"	F35351-400	R37351-600	L36351-100	C38351-800
<b>AUTO DRAIN • METAL BOWL W/ SIGHT GLASS • RELIEVING • W/ GAUGE</b>				
3/8"	F35331-411	R37331-600	L36331-110	C38331-811
1/2"	F35341-411	R37341-600	L36341-110	C38341-811
3/4"	F35351-411	R37351-600	L36351-110	C38351-811
<b>AUTO DRAIN • POLYCARBONATE BOWL W/ GUARD • RELIEVING • W/ GAUGE</b>				
3/8"	F35331-401	R37331-600	L36331-100	C38331-801
1/2"	F35341-401	R37341-600	L36341-100	C38341-801
3/4"	F35351-401	R37351-600	L36351-100	C38351-801

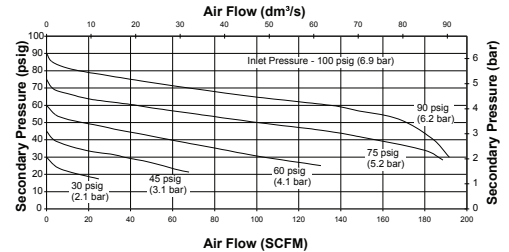
## F/R + L Combinations

Port size NPT	Filter-regulator	Components Lubricator	Model
<b>MANUAL DRAIN • METAL BOWL W/ SIGHT GLASS • RELIEVING • W/ GAUGE</b>			
3/8"	P39334-610	L36331-110	C38331-610
1/2"	P39344-610	L36341-110	C38341-610
3/4"	P39354-610	L36351-110	C38351-610
<b>MANUAL DRAIN • POLYCARBONATE BOWL W/ GUARD • RELIEVING • W/ GAUGE</b>			
3/8"	P39334-600	L36331-100	C38331-600
1/2"	P39344-600	L36341-100	C38341-600
3/4"	P39354-600	L36351-100	C38351-600
<b>AUTO DRAIN • METAL BOWL W/ SIGHT GLASS • RELIEVING • W/ GAUGE</b>			
3/8"	P39334-614	L36331-110	C38331-611
1/2"	P39344-614	L36341-110	C38341-611
3/4"	P39354-614	L36351-110	C38351-611
<b>AUTO DRAIN • POLYCARBONATE BOWL W/ GUARD • RELIEVING • W/ GAUGE</b>			
3/8"	P39334-604	L36331-100	C38331-601
1/2"	P39344-604	L36341-100	C38341-601
3/4"	P39354-604	L36351-100	C38351-601

**Note:** Other combinations may be assembled by purchasing the individual components separately. Modular connector kits are required to connect the individual units together.

## 1/2" Pressure drop test

1/2" 2000 SERIES F-R-L COMBO



See page 77 for additional flow charts

## Replacement parts

MODEL	DESCRIPTION
104315	Replacement auto drain*
104316	Replacement manual drain
104317	5-Micron element
104318	40-Micron element
104319	0.3-Micron filter element
104363	0.3-Micron piggyback element
104320	Poly bowl, manual drain
104321	Poly bowl, auto drain
104322	Metal bowl, manual drain
104323	Metal bowl, auto drain
104324	Metal bowl, sight glass, auto
104325	Metal bowl, sight glass, man.
104326	Filter bowl service kit
104327	Regulator service kit (relieving)
104328	Regulator service kit (non-relieving)
104329	Tamper kit
104330	0 – 60 psi Spring
104331	0 – 140 psi Spring
104332	10 – 200 psi Spring
104334	0 – 140 psi Gauge flush mount
104336	Polycarbonate bowl w/ guard
104337	Metal bowl
104338	Metal bowl w/ sight glass
104339	Lubricator bowl service kit
104470	Sight dome repair kit
104418	Panel Nut

\* Replacement auto drains can only be used with auto drain bowls.