

2000 Series regulators

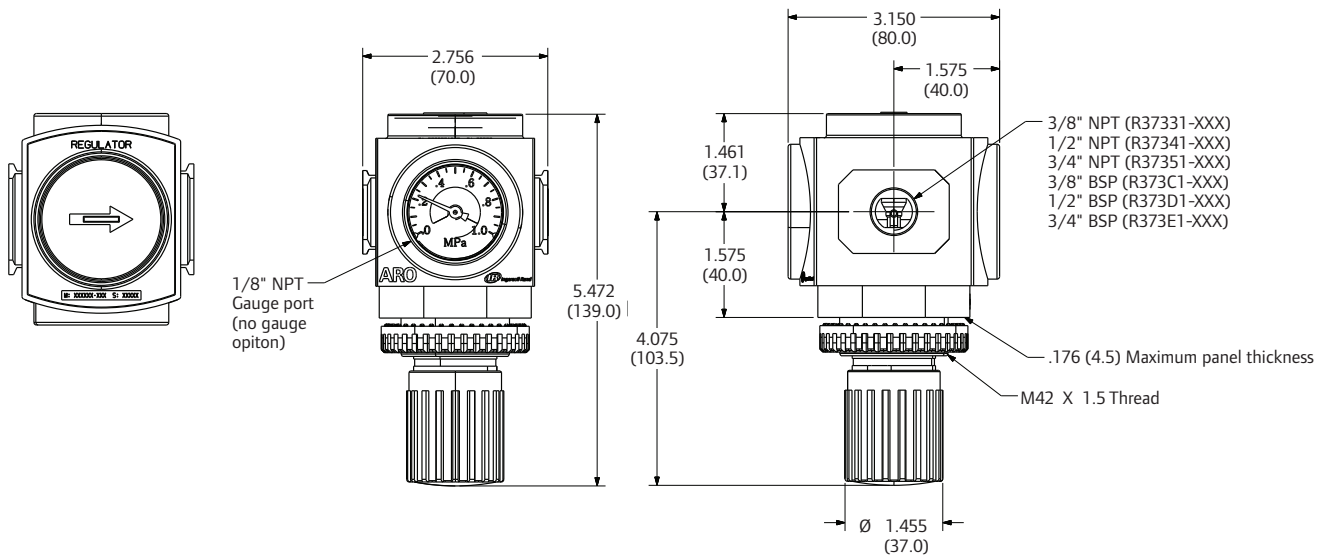
3/8", 1/2", and 3/4" Ports

Technical data	
Diaphragm	Nitrile + nylon
Regulator body	Aluminum
Regulator valve	Nitrile + nylon
Regulator springs	Steel
Gauge cover	Nylon + polycarbonate
Regulator knob	Acetal
O-rings	Nitrile
Max inlet pressure (psi)	250
Temperature range (F)	23 - 140
Spring range options (psi)	0 - 30
	0 - 60
	0 - 140
	0 - 200
Gauge port	1/8"
Flow capacity — 3/8" port*	179 scfm
Flow capacity — 1/2" port*	210 scfm
Flow capacity — 3/4" port*	210 scfm

*Inlet pressure 100 psi (6.9 bar), 90 psi set (6.2 bar), with 33 psi drop (2.3 bar)



2000 Series



How to order

To configure the desired part number, use the chart below to select the port size, thread type, and configuration options.

Port size	Base model				
3/8"	R373 3	1	X	X	X
1/2"	R373 4	1	X	X	X
3/4"	R373 5	1	X	X	X

Note: Some menu combinations not available. Please consult price book to verify. Popular options are shown in **red** below.

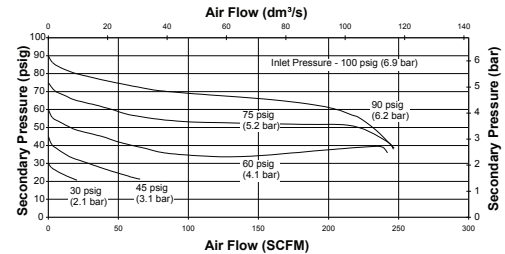
Thread type		Pressure range PSIG	Relieving option	Control option
3 3/8" NPT	1	0 – 140 (no gauge)	0 Relieving	0 Standard knob
4 1/2" NPT	2	0 – 60 (no gauge)	2 Non-relieving	
5 3/4" NPT	3	10 – 200 (no gauge)		
C 3/8" BSP	4	0 – 30 (no gauge)		
D 1/2" BSP	6	0 – 140 w/ flush-mount gauge		
E 3/4" BSP				

Popular configurations

Port size NPT	Pressure range psi	Gauge	Model
RELIEVING • STANDARD KNOB CONTROL			
3/8"	0 – 30	No gauge	R37331-400
3/8"	0 – 60	No gauge	R37331-200
3/8"	0 – 140	No gauge	R37331-100
3/8"	0 – 140	Flush-mount gauge	R37331-600
3/8"	10 – 200	No gauge	R37331-300
1/2"	0 – 30	No gauge	R37341-400
1/2"	0 – 60	No gauge	R37341-200
1/2"	0 – 140	No gauge	R37341-100
1/2"	0 – 140	Flush-mount gauge	R37341-600
1/2"	10 – 200	No gauge	R37341-300
3/4"	0 – 30	No gauge	R37351-400
3/4"	0 – 60	No gauge	R37351-200
3/4"	0 – 140	No gauge	R37351-100
3/4"	0 – 140	Flush-mount gauge	R37351-600
3/4"	10 – 200	No gauge	R37351-300
NON-RELIEVING • STANDARD KNOB CONTROL			
3/8"	0 – 30	No gauge	R37331-420
3/8"	0 – 60	No gauge	R37331-220
3/8"	0 – 140	No gauge	R37331-120
3/8"	0 – 140	Flush-mount gauge	R37331-620
3/8"	10 – 200	No gauge	R37331-320
1/2"	0 – 30	No gauge	R37341-420
1/2"	0 – 60	No gauge	R37341-220
1/2"	0 – 140	No gauge	R37341-120
1/2"	0 – 140	Flush-mount gauge	R37341-620
1/2"	10 – 200	No gauge	R37341-320
3/4"	0 – 140	Flush-mount gauge	R37351-620
3/4"	10 – 200	No gauge	R37351-320

1/2" Pressure drop test

1/2" 2000 SERIES REGULATOR



See page 77 for additional flow charts

Replacement parts

MODEL	DESCRIPTION
104327	Regulator service kit (relieving)
104328	Regulator service kit (non-relieving)
104329	Tamper kit
104330	0 – 60 psi Spring
104331	0 – 140 psi Spring
104332	10 – 200 psi Spring
104334	0 – 140 psi Gauge flush mount
104533	0 – 30 psi Spring

Accessories

See page 65 for details

MODEL	DESCRIPTION
104392-3	3/8" NPT lock-out valve
104392-4	1/2" NPT lock-out valve
104396	Modular clamp
104398-3	3/8" NPT pipe adapter
104398-4	1/2" NPT pipe adapter
104479-3	3/8" Check valve
104479-4	1/2" Check valve
104401	T-type wall mount
104405	L-type wall mount
104409	C-type wall mount
104413-3-3	3/8" x 3/8" Manifold block
104413-4-3	1/2" x 3/8" Manifold block
104418	Panel nut
104469	Gauge port block
104415	Pressure switch

Adjustment range can exceed spring rating on 0-30 psi and 0-60 psi regulators. The working range of the adjustment knob is designed to permit outlet pressures beyond the spring ratings in the 0-30psi and 0-60psi models. The adjustment knob is not designed to be a pressure limiting device. Limiting devices may be obtained only by special design. For optimal performance, regulators should not be set to ranges outside the specified spring range.

F + R + L Combinations

Port size NPT	Filter	Components Regulator	Lubricator	Model
MANUAL DRAIN • METAL BOWL W/ SIGHT GLASS • RELIEVING • W/ GAUGE				
3/8"	F35331-410	R37331-600	L36331-110	C38331-810
1/2"	F35341-410	R37341-600	L36341-110	C38341-810
3/4"	F35351-410	R37351-600	L36351-110	C38351-810
MANUAL DRAIN • POLYCARBONATE BOWL W/ GUARD • RELIEVING • W/ GAUGE				
3/8"	F35331-400	R37331-600	L36331-100	C38331-800
1/2"	F35341-400	R37341-600	L36341-100	C38341-800
3/4"	F35351-400	R37351-600	L36351-100	C38351-800
AUTO DRAIN • METAL BOWL W/ SIGHT GLASS • RELIEVING • W/ GAUGE				
3/8"	F35331-411	R37331-600	L36331-110	C38331-811
1/2"	F35341-411	R37341-600	L36341-110	C38341-811
3/4"	F35351-411	R37351-600	L36351-110	C38351-811
AUTO DRAIN • POLYCARBONATE BOWL W/ GUARD • RELIEVING • W/ GAUGE				
3/8"	F35331-401	R37331-600	L36331-100	C38331-801
1/2"	F35341-401	R37341-600	L36341-100	C38341-801
3/4"	F35351-401	R37351-600	L36351-100	C38351-801

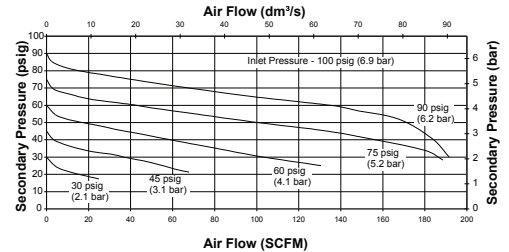
F/R + L Combinations

Port size NPT	Filter-regulator	Components Lubricator	Model
MANUAL DRAIN • METAL BOWL W/ SIGHT GLASS • RELIEVING • W/ GAUGE			
3/8"	P39334-610	L36331-110	C38331-610
1/2"	P39344-610	L36341-110	C38341-610
3/4"	P39354-610	L36351-110	C38351-610
MANUAL DRAIN • POLYCARBONATE BOWL W/ GUARD • RELIEVING • W/ GAUGE			
3/8"	P39334-600	L36331-100	C38331-600
1/2"	P39344-600	L36341-100	C38341-600
3/4"	P39354-600	L36351-100	C38351-600
AUTO DRAIN • METAL BOWL W/ SIGHT GLASS • RELIEVING • W/ GAUGE			
3/8"	P39334-614	L36331-110	C38331-611
1/2"	P39344-614	L36341-110	C38341-611
3/4"	P39354-614	L36351-110	C38351-611
AUTO DRAIN • POLYCARBONATE BOWL W/ GUARD • RELIEVING • W/ GAUGE			
3/8"	P39334-604	L36331-100	C38331-601
1/2"	P39344-604	L36341-100	C38341-601
3/4"	P39354-604	L36351-100	C38351-601

Note: Other combinations may be assembled by purchasing the individual components separately. Modular connector kits are required to connect the individual units together.

1/2" Pressure drop test

1/2" 2000 SERIES F-R-L COMBO



See page 77 for additional flow charts

Replacement parts

MODEL	DESCRIPTION
104315	Replacement auto drain*
104316	Replacement manual drain
104317	5-Micron element
104318	40-Micron element
104319	0.3-Micron filter element
104363	0.3-Micron piggyback element
104320	Poly bowl, manual drain
104321	Poly bowl, auto drain
104322	Metal bowl, manual drain
104323	Metal bowl, auto drain
104324	Metal bowl, sight glass, auto
104325	Metal bowl, sight glass, man.
104326	Filter bowl service kit
104327	Regulator service kit (relieving)
104328	Regulator service kit (non-relieving)
104329	Tamper kit
104330	0 – 60 psi Spring
104331	0 – 140 psi Spring
104332	10 – 200 psi Spring
104334	0 – 140 psi Gauge flush mount
104336	Polycarbonate bowl w/ guard
104337	Metal bowl
104338	Metal bowl w/ sight glass
104339	Lubricator bowl service kit
104470	Sight dome repair kit
104418	Panel Nut

* Replacement auto drains can only be used with auto drain bowls.