

BROWNING BEARINGS CATALOG

BALL BEARINGS CONTENTS	3
SET SCREW BALL BEARINGS	4
AIR HANDLING BALL BEARINGS.....	50
BOA CONCENTRIC BALL BEARINGS	52
ECCENTRIC BALL BEARINGS	70
ROLLER BEARINGS CONTENTS	101
900/E920 TAPERED ROLLER BEARINGS	102
950/970 TAPERED ROLLER BEARINGS.....	116
1000/1100 SPHERICAL ROLLER BEARINGS	126
22200/22500 SPHERICAL ROLLER BEARINGS ...	140
INTERCHANGE	
HEAD TO HEAD OVERVIEWS	156
BALL & ROLLER BEARING INTERCHANGES	166
ENGINEERING SECTION	260
ALPHA NUMERICAL INDEX	299

While this information is presented in good faith and believed to be accurate, EPT does not guarantee satisfactory results from reliance on such information. **Nothing contained herein is to be construed as a warranty or guarantee, express or implied, regarding the performance, merchantability, fitness, or any other matter with respect to the products, nor as a recommendation to use any product in conflict with the intellectual property rights of any third party.** EPT reserves the right, without notice, to alter or improve the design or specifications of the products described herein. All sales are only on EPT's standard terms and conditions, a copy of which is reproduced on page 304.

BALL BEARINGS

SERIES

Browning[®] ball bearings are segmented into three series ranging from intermediate duty for lightly loaded applications to medium duty for heavier loads.

- 100 = Intermediate duty
- 200 = Normal duty
- 300 = Medium duty

LOCKING

Browning offers three types of shaft locking devices:

- Set screw
- BOA CONCENTRIC: All new Browning 360° grip
- Eccentric

MATERIALS

Browning ball bearings are offered with many housings:

- Cast iron
- Nickel plated cast iron
- Ductile iron
- Rubber grommeted
- Stamped steel

RELATED PRODUCTS


VER insert bearings have a cylindrical outside diameter with a snap ring for easy installation and positive lubrication. Interchanges with Fafnir and MB ER style bearings.

PAGE 16

Air Handling AH Ball Bearings are specifically manufactured to air handling design specifications including special AH housing fit and for lower operating noise levels. Air Handling AH ball bearings can be specified by attaching an AH suffix to the end of any part description. Example: VPS-216 AH.

Look for the  Page 50 for details.

Nickel Plated NK Housings are offered for corrosion resistance and can be specified by attaching an NK suffix to the end of any part description. Example: VPS-216 NK. Contact Browning for availability.

Look for the 

BALL BEARING CONTENTS

SET SCREW BALL BEARINGS

Normal Duty 200 Series	6
Medium Duty 300 Series	20
Intermediate Duty 100 Series	
Cast Iron	28
Ductile	34
Light Duty 100 Series	
Stamped Steel	38
Rubber Grommated	37, 43

BOA CONCENTRIC BALL BEARINGS

Normal Duty 200 Series	54
Medium Duty 300 Series	64

ECCENTRIC BALL BEARINGS

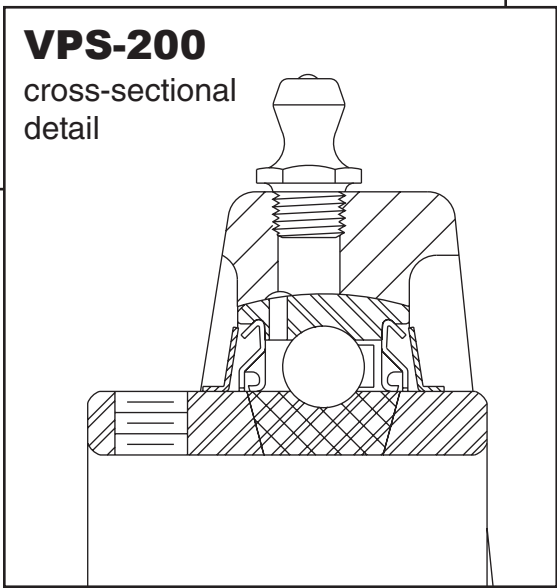
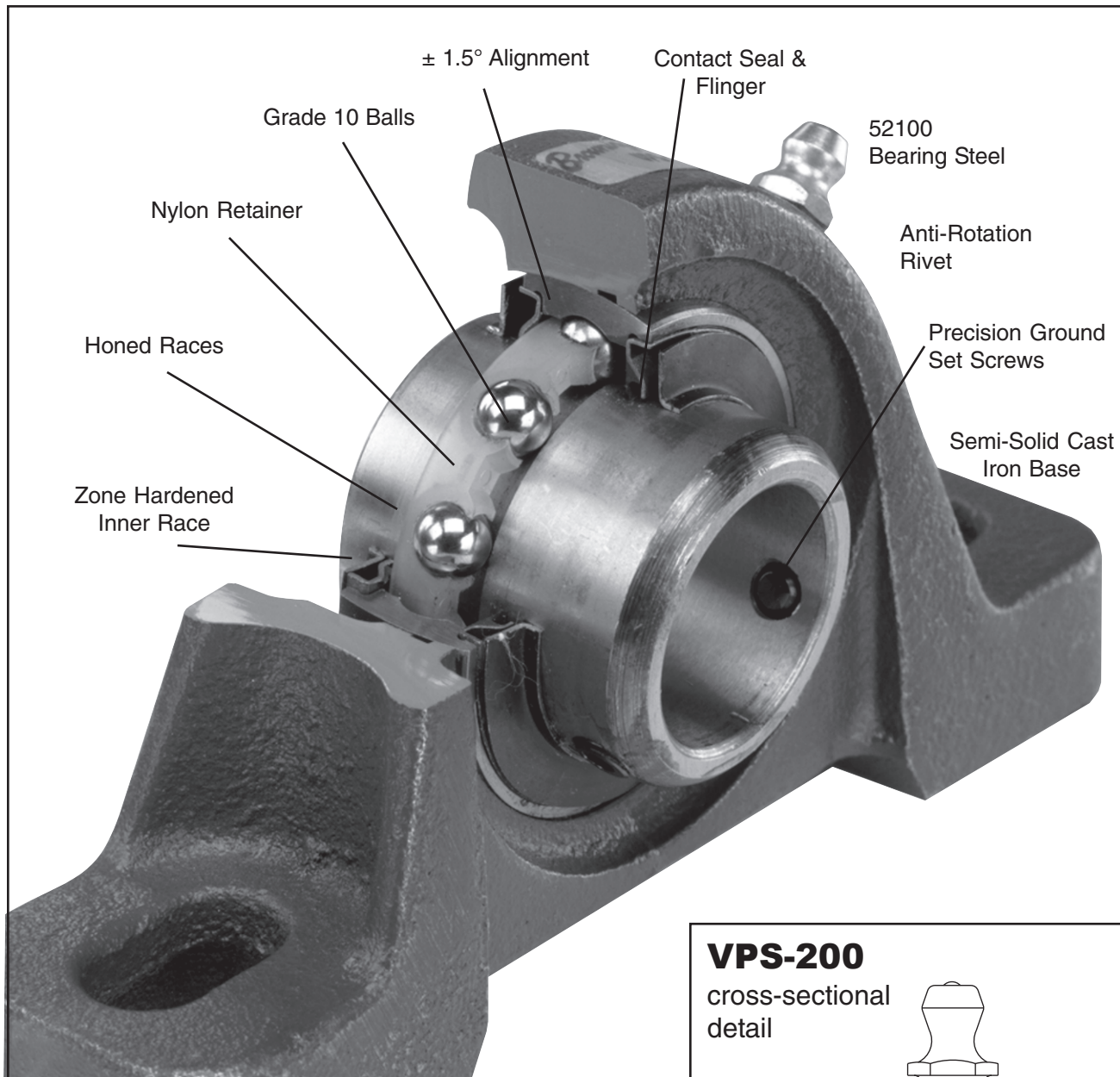
Normal Duty 200 Series	72
Intermediate Duty 100 Series	
Cast Iron	80
Ductile	86
Light Duty 100 Series	
Stamped Steel	90
Rubber Grommated	89, 95

BALL BEARING FEATURE HEAD-TO-HEAD OVERVIEWS

Dodge vs. Browning	158
Fafnir vs. Browning	160
MB vs. Browning	162
Link-Belt vs. Browning	164

BALL & ROLLER BEARING INTERCHANGES 166

Browning® Ball Bearings

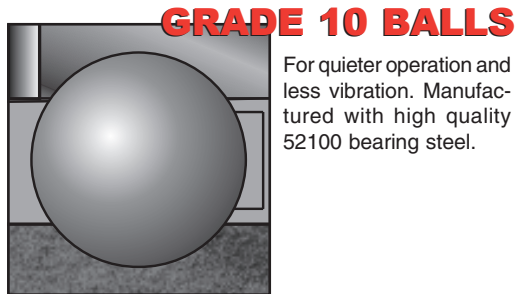


BROWNING SET SCREW BALL BEARINGS FEATURES/BENEFITS



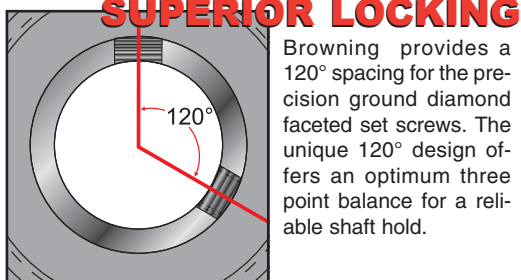
BROWNING SET SCREW BALL BEARINGS

FEATURES/BENEFITS SERIES



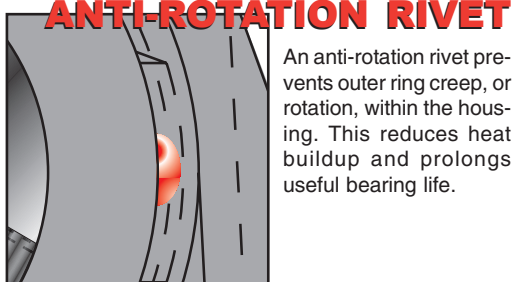
GRADE 10 BALLS

For quieter operation and less vibration. Manufactured with high quality 52100 bearing steel.



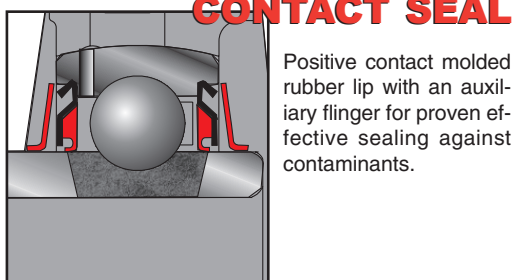
SUPERIOR LOCKING

Browning provides a 120° spacing for the precision ground diamond faceted set screws. The unique 120° design offers an optimum three point balance for a reliable shaft hold.



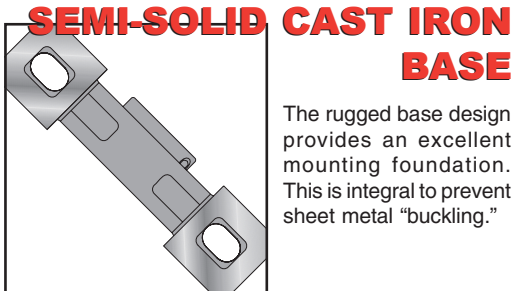
ANTI-ROTATION RIVET

An anti-rotation rivet prevents outer ring creep, or rotation, within the housing. This reduces heat buildup and prolongs useful bearing life.



CONTACT SEAL

Positive contact molded rubber lip with an auxiliary flinger for proven effective sealing against contaminants.



SEMI-SOLID CAST IRON BASE

The rugged base design provides an excellent mounting foundation. This is integral to prevent sheet metal "buckling."

PRECISION HARDENED AND HONED RINGS

Inner rings are zone hardened to maintain ballpath hardness while keeping inner ring extension soft for a precision set screw hold. Both ballpaths are honed for quieter operation and less vibration. See cross-sectional detail – left.

See page 156 for trademark acknowledgments.

Set screw ball bearings are segmented into three series ranging from intermediate duty for lightly loaded applications to medium duty for heavier load.

100 = Intermediate and light duty

200 = Normal duty

300 = Medium duty

RELATED PRODUCTS

VER insert bearings have a cylindrical outside diameter with a snap ring for easy installation and positive location. VER interchanges with Fafnir and MB ER style bearings. PAGE 16-17

Air handling AH ball bearings are specifically manufactured to air handling design specifications including special AH housing fit and lower operating noise levels. Air handling AH ball bearings can be specified by attaching an AH suffix to the end of any part description.

Example: VPS-216 AH. See technical section for detail. Contact Browning for availability.

Look for the  Page 50 for details.

Nickel Plated NK Housings are offered for corrosion resistance and can be specified by attaching an NK suffix to the end of any part description.

Example: VPS-216 NK. Contact Browning for availability.


Look for the 

TABLE OF CONTENTS

200 Series Normal Duty

Pillow Block Cast Iron	6-7
2-Bolt Flange Cast Iron	8
4-Bolt Flange Cast Iron	9
Flange Cartridges Cast Iron	10
Flange Bracket Cast Iron	11
Tapped Base Cast Iron	13
Take-Ups Cast Iron	14-15
VER Inserts	16-17
Inserts	18
200 Series Ratings	19

300 Series Medium Duty

Pillow Block Cast Iron	20
2-Bolt Flange Cast Iron	21
4-Bolt Flange Cast Iron	22
Flange Cartridges Cast Iron	23
Take-Up Units and Frames	24-25
Inserts	26
300 Series Ratings	27

100 Series Intermediate Duty

Pillow Block Cast Iron	28-29
2-Bolt Flange Cast Iron	30
4-Bolt Flange Cast Iron	31
Take-Up Units and Frames	32-33
2-Bolt Flange Ductile	34
Pillow Block Ductile	35
3-Bolt Flange Ductile	36
Pillow Block Stamped Stl/Rubber ..	37
Pillow Block Stamped Stl	38
2-Bolt Flange Stamped Stl	39
3-Bolt Stamped Round	40
4-Bolt Stamped Round	41
3-Bolt Stamped Triangle	42
Rubber Grommet	43
Inserts	44-47
Tapped Base Cast Iron	84
100 Series Ratings	48

BOA CONCENTRIC 52
ECCENTRIC 70



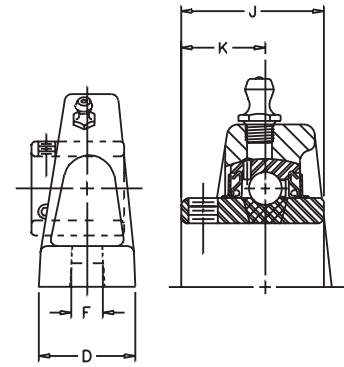
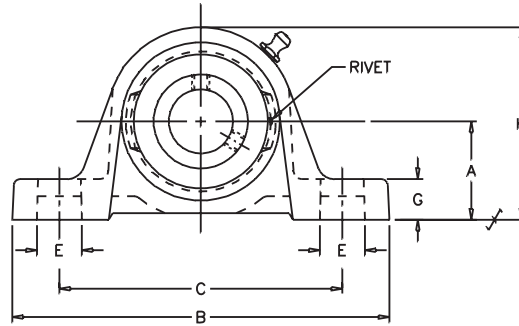
VPS-200

Lock: Set Screw
Seal: Contact
Housing: Cast Iron
Temperature: -20°F to 200°F
Self Alignment: ±1.5°
Inserts: VS-200
 Dimension pg 18
 Ratings pg 19

V VALUE and QUALITY
P PILLOW BLOCK
S SET SCREW

2 200
0 NORMAL
0 DUTY

Bore Size	Fitting
1/2" - 1 1/4" S	1/4" - 28NF
1 1/4" - 2 15/16"	1/8" NPT



SHAFT DIA. IN	UNIT NO.	BRG NO.	Dimensions in Inches										BOLT SIZE IN.	UNIT WT.
			A	B	C	D	E	F	G	H	J	K		
1/2	VPS-208	VS-208	1 3/16	4 7/8	3 5/8	1 7/32	7/8	7/16	15/32	2 7/32	1 1/32	5/8	3/8	.9
5/8	VPS-210	VS-210	1 5/16	5	3 25/32	1 11/32	25/32	7/16	17/32	2 17/32	1 7/32	23/32	3/8	1.4
3/4	VPS-212	VS-212	1 7/16	5 1/2	4 1/8	1 13/32	13/16	7/16	19/32	2 13/16	1 3/8	13/16	3/8	1.5
7/8	VPS-214	VS-214	1 11/16	6 3/16	4 5/8	1 3/4	15/16	9/16	21/32	3 9/32	1 1/2	7/8	1/2	2.5
15/16	VPS-215	VS-215	1 1/4	6 3/4	5	1 3/4	7/8	9/16	23/32	3 11/16	1 11/16	1	1/2	3.5
1	VPS-216	VS-216	2	7 1/8	5 3/8	1 15/16	1	9/16	13/16	4	1 15/16	1 3/16	1/2	4.7
1 1/8	VPS-218	VS-218	2 1/8	7 3/8	5 21/32	2	29/32	9/16	3/4	4 1/4	1 15/16	1 3/16	1/2	5.5
1 3/16	VPS-219	VS-219	2 1/4	8	6 3/16	2 3/16	15/16	11/16	3/4	4 9/16	2 1/32	1 9/32	5/8	6.0
1 1/4	VPS-220S	VS-220S	2 1/2	8 13/16	6 15/16	2 5/16	1	11/16	7/8	4 31/32	2 3/16	1 5/16	5/8	7.8
1 1/4	VPS-220	VS-220	2 3/4	9 1/2	7 13/32	2 3/8	1 5/32	11/16	7/8	5 9/16	2 9/16	1 9/16	5/8	10.1
1 3/8	VPS-222	VS-222	3 5/16	12	9 1/2	2 7/8	1 1/4	15/16	1	6 5/8	3 1/16	1 3/4	7/8	16.9
1 7/16	VPS-223	VS-223												
1 1/2	VPS-224	VS-224												
1 5/8	VPS-226	VS-226												
1 11/16	VPS-227	VS-227												
1 3/4	VPS-228	VS-228												
1 15/16	VPS-231	VS-231												
2	VPS-232S	VS-232S												
2	VPS-232	VS-232												
2 3/16	VPS-235	VS-235												
2 1/4	VPS-236	VS-236												
2 7/16	VPS-239	VS-239												
2 15/16	VPS-247	VS-247												

⊗ Air Handling (AH) to order specify AH suffix, i.e. VPS-216 AH (See page 50)

⊗ Nickel Plated (NK) to order specify NK suffix, i.e. VPS-216 NK

CROSS REFERENCE TO COMPETITORS PRODUCTS

REPLACES DODGE P2B-SC		REPLACES SKF SY-TM	REPLACES NTN UCP2
REPLACES FAFNIR YAS	REPLACES LINK-BELT P3-U200N	REPLACES HUB CITY PB251W*	REPLACES BOSTON SH

Refer to Interchange Section Page 166 for more detail.

* - Malleable casting



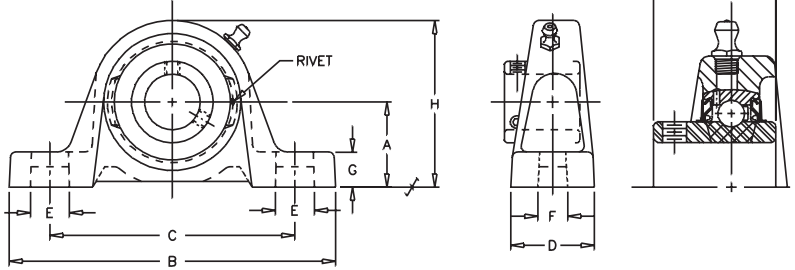
Ball Bearings VALUE and QUALITY V PILLOW BLOCK P LOW BASE L SET SCREW S

200 2
NORMAL 0
DUTY 0

VPLS-200

Lock: Set Screw
Seal: Contact
Housing: Cast Iron
Temperature: -20°F to 200°F
Self Alignment: ±1.5°
Inserts: VS-200
Dimensions pg 18
Ratings pg 19

Bore Size	Fitting
1/2" - 1 1/4" S	1/4" - 28NF
1 1/4" - 2 15/16"	1/8" NPT



SHAFT DIA. IN	UNIT NO.	BRG. NO.	Dimensions In Inches										BOLT SIZE IN.	UNIT WT.
			A	B	C	D	E	F	G	H	J	K		
1/2	VPLS-208	VS-208	1 1/16	4 7/8	3 5/8	1 7/32	7/8	7/16	11/32	2 3/32	1 1/32	13/32	3/8	.7
5/8	VPLS-210	VS-210												
3/4	VPLS-212	VS-212	1 1/4	5	3 25/32	1 11/32	25/32	7/16	15/32	2 15/32	1 7/32	1/2	3/8	1.3
7/8	VPLS-214	VS-214												
15/16	VPLS-215	VS-215	1 5/16	5 1/2	4 1/8	1 13/32	13/16	7/16	15/32	2 11/16	1 3/8	9/16	3/8	1.4
1	VPLS-216	VS-216												
1 1/8	VPLS-218	VS-218												
1 3/16	VPLS-219	VS-219	1 9/16	6 3/16	4 5/8	1 3/4	15/16	9/16	17/32	3 5/32	1 1/2	5/8	1/2	2.4
1 1/4	VPLS-220S	VS-220S												
1 1/4	VPLS-220	VS-220												
1 3/8	VPLS-222	VS-222	1 13/16	6 3/4	5	1 3/4	7/8	9/16	21/32	3 5/8	1 11/16	11/16	1/2	3.5
1 7/16	VPLS-223	VS-223												
1 1/2	VPLS-224	VS-224	1 15/16	7 1/8	5 3/8	1 15/16	1	9/16	3/4	3 15/16	1 15/16	3/4	1/2	4.5
1 5/8	VPLS-226	VS-226												
1 11/16	VPLS-227	VS-227	2 1/16	7 3/8	5 21/32	2	29/32	9/16	11/16	4 3/16	1 15/16	3/4	1/2	5.5
1 3/4	VPLS-228	VS-228												
1 15/16	VPLS-231	VS-231	2 3/16	8	6 3/16	2 3/16	15/16	11/16	11/16	4 1/2	2 1/32	3/4	5/8	5.9
2	VPLS-232S													
2	VPLS-232	VS-232	2 7/16	8 13/16	6 15/16	2 5/16	1	11/16	13/16	4 29/32	2 3/16	7/8	5/8	7.6
2 3/16	VPLS-235	VS-235												
2 1/4	VPLS-236	VS-236	2 11/16	9 1/2	7 13/32	2 3/8	1 5/32	11/16	13/16	5 1/2	2 9/16	1	5/8	9.7
2 7/16	VPLS-239	VS-239												
2 11/16	VPLS-243	VS-243	3	10 3/4	8 1/4	2 11/16	1 3/8	13/16	15/16	6 3/16	2 3/4	1 1/16	3/4	12.5
2 15/16	VPLS-247	VS-247	3 1/4	12	9 1/2	2 7/8	1 1/4	15/16	15/16	6 9/16	3 1/16	1 5/16	7/8	16.9

⊗ Air Handling (AH) to order specify AH suffix, i.e. VPLS-216 AH (See page 50)

CROSS REFERENCE TO COMPETITORS PRODUCTS

REPLACES DODGE P2B-SCB		REPLACES SKF SYH-TM	REPLACES NTN UCPL2
REPLACES FAFNIR YAK	REPLACES LINK-BELT PL3-U200N	REPLACES HUB CITY P250 HW*	REPLACES BOSTON SL

Refer to Interchange Section Page 166 for more detail.

*-Malleable Casting

See page 156 for trademark acknowledgments.



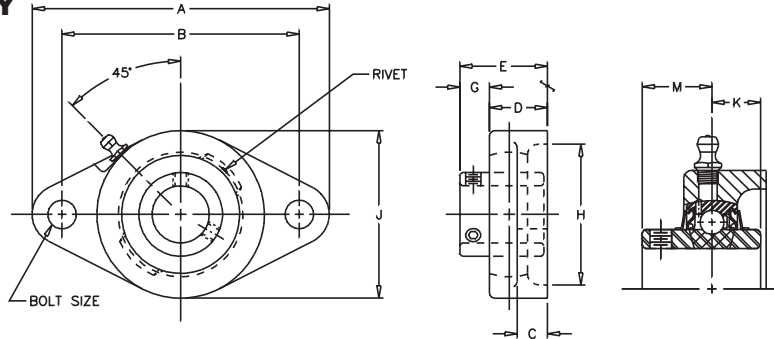
VF2S-200

V VALUE and QUALITY
F FLANGE
2 TWO BOLT
S SET SCREW

Lock: Set Screw
 Seal: Contact
 Housing: Cast Iron
 Temperature: -20°F to 200°F
 Self Alignment: ±1.5°
 Inserts: VS-200
 Dimensions pg 18
 Ratings pg 19

2 200
0 NORMAL
0 DUTY

Bore Size	Fitting
1/2" - 1 1/4" S	1/4" - 28NF
1 1/4" - 2 15/16"	1/8" NPT



SHAFT DIA. IN	UNIT NO.	BRG. NO.	Dimensions In Inches											BOLT SIZE IN.	UNIT WT.
			A	B	C	D	E	G	H CORED	J	K	M			
1/2	VF2S-208	VS-208	3 7/8	3	3/8	23/32	1 5/64	23/64	1 3/4	2 1/8	13/32	5/8	3/8	.9	
5/8	VF2S-210	VS-210													
3/4	VF2S-212	VS-212	4 13/32	3 17/32	7/16	57/64	1 9/32	25/64	2	2 1/2	1/2	23/32	3/8	1.0	
7/8	VF2S-214	VS-214													
15/16	VF2S-215	VS-215	4 7/8	3 57/64	1/2	61/64	1 7/16	31/64	2 5/16	2 3/4	9/16	13/16	7/16	1.1	
1	VF2S-216	VS-216													
1 1/8	VF2S-218	VS-218													
1 3/16	VF2S-219	VS-219	5 9/16	4 19/32	17/32	1 5/64	1 9/16	31/64	2 3/4	3 1/8	5/8	7/8	7/16	1.7	
1 1/4	VF2S-220S	VS-220S													
1 1/4	VF2S-220	VS-220													
1 3/8	VF2S-222	VS-222	6 1/8	5 1/8	19/32	1 5/32	1 3/4	19/32	3 3/16	3 5/8	11/16	1	1/2	2.7	
1 7/16	VF2S-223	VS-223													
1 1/2	VF2S-224	VS-224	6 3/4	5 21/32	5/8	1 19/64	2 1/64	23/32	3 1/2	4 1/8	3/4	1 3/16	1/2	3.6	
1 5/8	VF2S-226	VS-226													
1 11/16	VF2S-227	VS-227	7 1/16	5 27/32	5/8	1 21/64	2 3/64	23/32	3 3/4	4 3/8	3/4	1 3/16	9/16	3.7	
1 3/4	VF2S-228	VS-228													
1 15/16	VF2S-231	VS-231	7 7/16	6 3/16	5/8	1 23/64	2 5/32	51/64	4	4 9/16	3/4	1 9/32	9/16	4.6	
2	VF2S-232S	VS-232S													
2	VF2S-232	VS-232													
2 3/16	VF2S-235	VS-235	8 1/2	7 1/4	13/16	1 33/64	2 5/16	51/64	4 1/4	5 1/4	7/8	1 5/16	5/8	5.9	
2 1/4	VF2S-236	VS-236													
2 7/16	VF2S-239	VS-239	9 1/4	7 15/16	13/16	1 11/16	2 11/16	1	4 3/4	5 7/16	1	1 9/16	5/8	9.6	
2 11/16	VF2S-243	VS-243	10 1/8	8 5/16	13/16	1 49/64	2 7/8	1 7/64	5 1/8	6 1/8	1 1/16	1 11/16	5/8	17.0	
2 15/16	VF2S-247	VS-247	10 1/2	8 1/2	1	2 3/64	3 3/16	1 9/64	5 3/4	6 1/2	1 5/16	1 3/4	3/4	19.5	

Air Handling (AH) to order specify AH suffix, i.e. VF2S-216 AH (See page 50)

Nickel Plated (NK) to order specify NK suffix, i.e. VF2S-216 NK

CROSS REFERENCE TO COMPETITORS PRODUCTS

REPLACES DODGE F2B-SC		REPLACES SKF FYT-TM	REPLACES NTN UCFL2
REPLACES FAFNIR YCJT/RCJTC	REPLACES LINK-BELT FX3-U200N	REPLACES HUB CITY FB260 HW*	

Refer to Interchange Section Page 166 for more detail.

*-Malleable Casting



Ball Bearings VALUE and QUALITY V

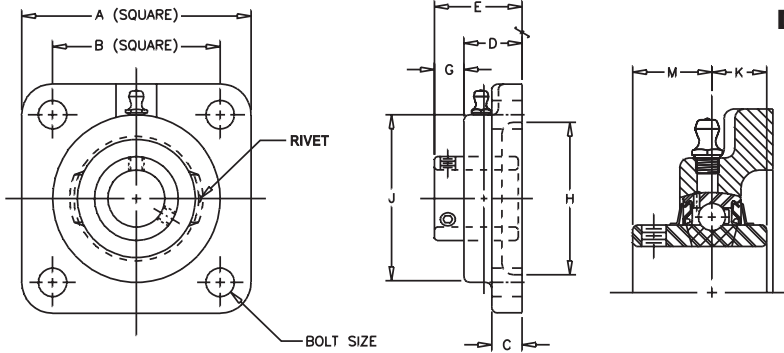
FLANGE F
FOUR BOLT 4
SET SCREW S

200 2
NORMAL 0
DUTY 0

VF4S-200

Lock: Set Screw
Seal: Contact
Housing: Cast Iron
Temperature: -20°F to 200°F
Self Alignment: ±1.5°
Inserts: VS-200
Dimensions pg 18
Ratings pg 19

Bore Size	Fitting
1/2" - 1 1/4" S	1/4" - 28NF
1 1/4" - 2 15/16"	1/8" NPT



SHAFT DIA. IN	UNIT NO.	BRG. NO.	Dimensions In Inches											BOLT SIZE IN.	UNIT WT.
			A	B	C	D	E	G	H CORED	J	K	M			
1/2	VF4S-208	VS-208	3	2 1/8	3/8	23/32	1 5/64	23/64	1 3/4	2 1/8	13/32	5/8	3/8	1.1	
5/8	VF4S-210	VS-210	3	2 1/8	3/8	23/32	1 5/64	23/64	1 3/4	2 1/8	13/32	5/8	3/8	1.1	
3/4	VF4S-212	VS-212	3 3/8	2 1/2	7/16	57/64	1 9/32	25/64	2	2 1/2	1/2	23/32	3/8	1.4	
7/8	VF4S-214	VS-214													
15/16	VF4S-215	VS-215	3 3/4	2 3/4	1/2	61/64	1 7/16	31/64	2 1/2	2 3/4	9/16	13/16	7/16	1.6	
1	VF4S-216	VS-216													
1 1/8	VF4S-218	VS-218													
1 3/16	VF4S-219	VS-219	4 1/4	3 1/4	17/32	1 5/64	1 9/16	31/64	2 7/8	3 1/8	5/8	7/8	7/16	2.6	
1 1/4	VF4S-220S	VS-220S													
1 1/4	VF4S-220	VS-220													
1 3/8	VF4S-222	VS-222	4 5/8	3 5/8	19/32	1 5/32	1 3/4	19/32	3 1/4	3 5/8	11/16	1	1/2	3.6	
1 7/16	VF4S-223	VS-223													
1 1/2	VF4S-224	VS-224	5 1/8	4	5/8	1 19/64	2 1/64	23/32	3 1/2	4 1/8	3/4	1 3/16	1/2	4.9	
1 5/8	VF4S-226	VS-226													
1 11/16	VF4S-227	VS-227	5 3/8	4 1/8	5/8	1 21/64	2 3/64	23/32	3 7/8	4 3/8	3/4	1 3/16	9/16	5.2	
1 3/4	VF4S-228	VS-228													
1 15/16	VF4S-231	VS-231	5 5/8	4 3/8	5/8	1 23/64	2 5/32	51/64	4	4 9/16	3/4	1 9/32	9/16	5.6	
2	VF4S-232S	VS-232S													
2	VF4S-232	VS-232	6 3/8	5 1/8	13/16	1 33/64	2 5/16	51/64	4 1/4	5 1/4	7/8	1 5/16	5/8	7.9	
2 3/16	VF4S-235	VS-235													
2 1/4	VF4S-236	VS-236	6 7/8	5 5/8	13/16	1 11/16	2 11/16	1	5	5 7/16	1	1 9/16	5/8	9.6	
2 7/16	VF4S-239	VS-239													
2 11/16	VF4S-243	VS-243	7 3/8	5 7/8	13/16	1 49/64	2 7/8	1 7/64	5 1/8	6 1/8	1 1/16	1 11/16	5/8	13.1	
2 15/16	VF4S-247	VS-247	7 3/4	6	1	2 3/64	3 3/16	1 9/64	5 3/4	6 1/2	1 5/16	1 3/4	3/4	16.4	

Air Handling (AH) to order specify AH suffix, i.e. VF4S-216 AH (See page 50)

Nickel Plated (NK) to order specify NK suffix, i.e. VF4S-216 NK

CROSS REFERENCE TO COMPETITORS PRODUCTS

REPLACES DODGE F4B-SC		REPLACES SKF FY-TM	REPLACES NTN UCF2
REPLACES FAFNIR YCJ/RCJC	REPLACES LINK-BELT F3U200N	REPLACES HUB CITY FB250 HW*	

Refer to Interchange Section Page 166 for more detail
*-Malleable Casting

See page 156 for trademark acknowledgments.



200

Browning[®]

Ball Bearings

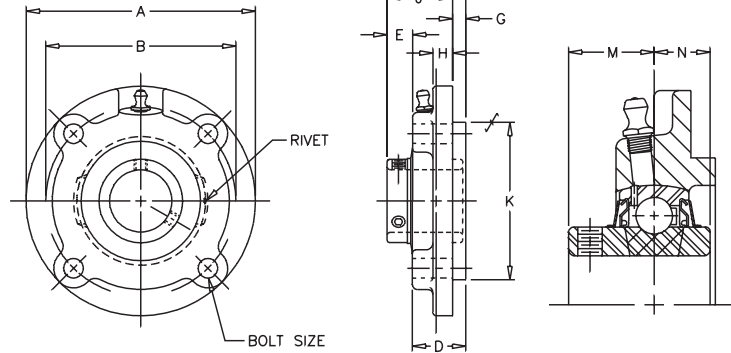
VFCS-200

V VALUE & QUALITY
F FLANGE
C CARTRIDGE
S SET SCREW

Lock: Set Screw
Seal: Contact
Housing: Cast Iron
Temperature: -20°F to 200°F
Self Alignment: ±1.5°
Inserts: VS-200
 Dimensions pg 18
 Ratings pg 19

2 200
0 NORMAL
0 DUTY

Bore Size	Fitting
1 1/8" - 2"S	1/4" - 28NF
2" - 2 11/16"	1/8" NPT



SHAFT DIA. IN	UNIT NO.	BRG NO.	Dimensions in Inches											BOLT SIZE IN.	UNIT WT.	
			A	B	C	D	E	G	H	J	*K	M	N			
1 1/8	VFCS-218	VS-218														
1 3/16	VFCS-219	VS-219	4 3/8	3 5/8	1 1/2	1 1/64	31/64	1/4	3/8	1 1/4	3	7/8	5/8	5/16	2.4	
1 1/4	VFCS-220S	VS-220S														
1 1/4	VFCS-220	VS-220														
1 3/8	VFCS-222	VS-222	5	4 1/8	1 11/16	1 3/32	19/32	3/8	3/8	1 5/16	3 3/8	1	11/16	3/8	3.2	
1 7/16	VFCS-223	VS-223														
1 1/2	VFCS-224	VS-224	5 1/4	4 3/8	1 15/16	1 7/32	23/32	7/16	3/8	1 1/2	3 5/8	1 3/16	3/4	3/8	3.6	
1 5/8	VFCS-226	VS-226														
1 11/16	VFCS-227	VS-227	6 1/8	5 1/8	1 15/16	1 7/32	23/32	7/16	3/8	1 1/2	4 1/4	1 3/16	3/4	7/16	4.9	
1 3/4	VFCS-228	VS-228														
1 15/16	VFCS-231	VS-231	6 1/8	5 1/8	2 1/16	1 17/64	51/64	15/32	3/8	1 19/32	4 1/4	1 9/32	3/4	7/16	5.7	
2	VFCS-232S	VS-232S														
2	VFCS-232	VS-232	6 3/8	5 3/8	2 13/64	1 13/32	51/64	5/8	3/8	1 37/64	4 1/2	1 5/16	7/8	7/16	6.0	
2 3/16	VFCS-235	VS-235														
2 1/4	VFCS-236	VS-236	7 1/8	6	2 7/8	1 7/8	1	7/8	1/2	2	5	1 9/16	1	1/2	7.1	
2 7/16	VFCS-239	VS-239														
2 1/2	VFCS-240	VS-340	7 5/8	6 1/2	3 7/64	2	1 7/64	1	1/2	2 7/64	5 1/2	1 11/16	1 1/16	1/2	10.2	
2 11/16	VFCS-243	VS-243														

*Tolerance +.000", -.002"

CROSS REFERENCE TO COMPETITORS PRODUCTS

REPLACES DODGE FC-SC	REPLACES MB PFC4-25		
FAFNIR RFC	REPLACES LINK-BELT VC3U200N		

Refer to Interchange Section Page 166 for more detail.



Ball Bearings

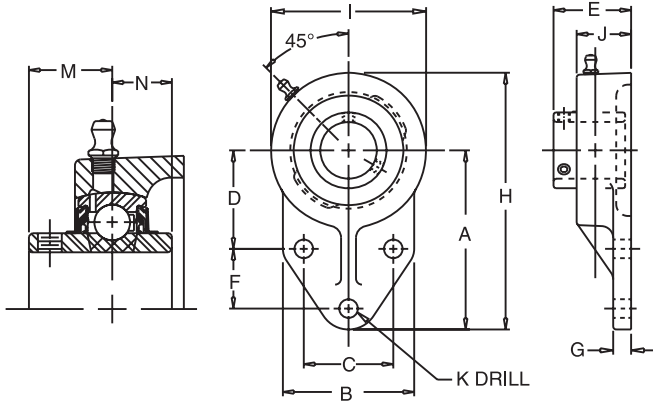
VALUE & QUALITY V
FLANGE F
BRACKET B
SET SCREW S

200 2
NORMAL 0
DUTY 0

VFBS-200

Lock: Set Screw
Seal: Contact
Housing: Cast Iron
Temperature: -20°F to 200°F
Self Alignment: ±1.5°
Inserts: VS-200
 Dimension pg 18
 Ratings pg 19

Bore Size	Fitting
3/4" - 1 1/4" S	1/4" - 28NF
1 7/16" - 2" S	1/8" NPT



SHAFT DIA. IN.	UNIT NO.	BRG NO.	Dimensions in inches													UNIT WT.
			A	B	C	D	E	F	G	H	I	J	K	M	N	
3/4	VFBS-212	VS-212	3	2 3/8	1 1/2	1 11/16	1 11/32	7/8	5/16	4 3/16	2 3/8	61/64	13/32	23/32	1/2	1.1
7/8	VFBS-214	VS-214														
15/16	VFBS-215	VS-215	3 3/8	2 1/2	1 5/8	1 13/16	1 1/2	1 1/8	3/8	4 3/4	2 3/4	1 1/64	13/32	13/16	9/16	1.9
1	VFBS-216	VS-216														
1 1/8	VFBS-218	VS-218														
1 3/16	VFBS-219	VS-219	3 3/4	2 3/4	1 7/8	2 1/16	1 5/8	1 1/4	3/8	5 23/64	3 7/32	1 9/64	13/32	7/8	5/8	2.8
1 1/4	VFBS-220S	VS-220S														
1 1/4	VFBS-220	VS-220														
1 3/8	VFBS-222	VS-222	4 1/4	3 1/4	2	2 3/8	1 7/8	1 1/4	1/2	6 1/8	3 3/4	1 9/32	17/32	1	11/16	2.6
1 7/16	VFBS-223	VS-223														
1 15/16	VFBS-231	VS-231														
2	VFBS-232S	VS-232S	5 3/16	4	2 3/4	2 15/16	2 5/32	1 5/8	1/2	7 15/32	4 9/16	1 23/64	17/32	1 9/32	3/4	4.2

CROSS REFERENCE TO COMPETITORS PRODUCTS

REPLACES AMI UCFB	REPLACES DODGE FB-SC	REPLACES LINKBELT MFB	REPLACES MB MFB
REPLACES PEER UCFB			

Refer to Interchange Section Page 166 for more detail.

See page 156 for trademark acknowledgments.



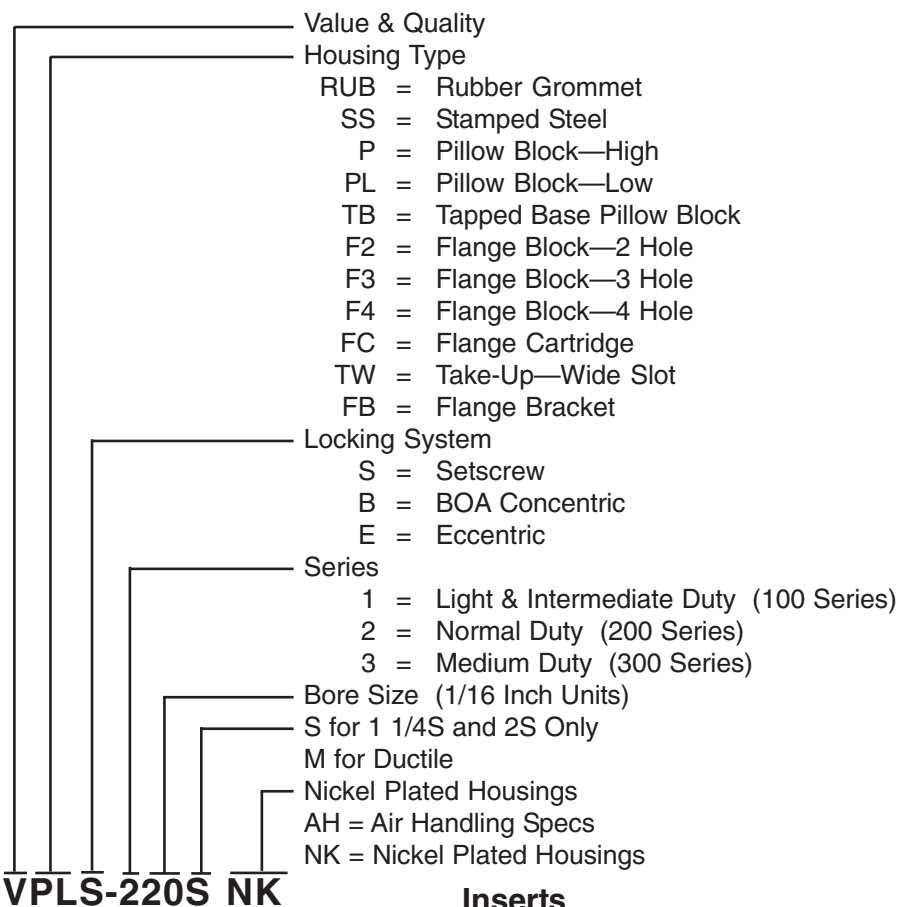
Browning[®]

Ball Bearings

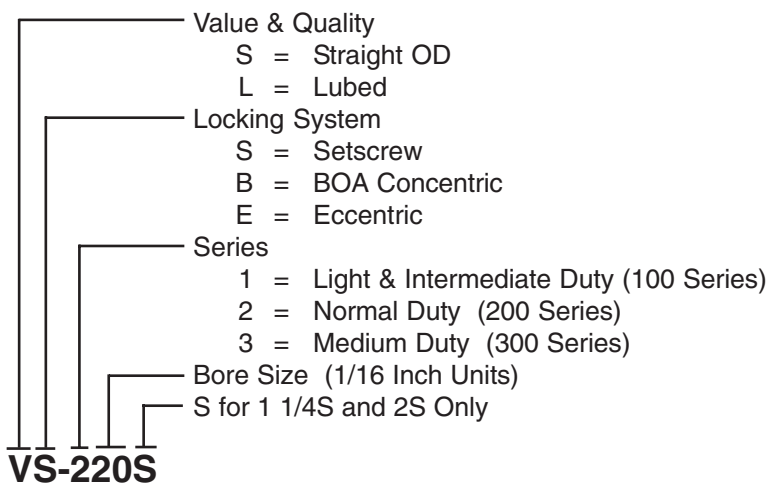
Nomenclature

Part Number Explanation

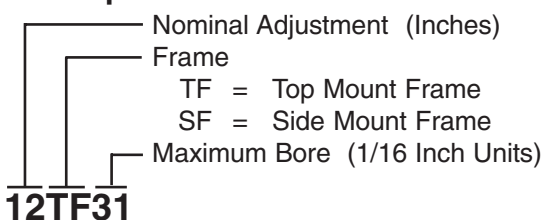
Mounted Units



Inserts



Take-Up Frames





Ball Bearings

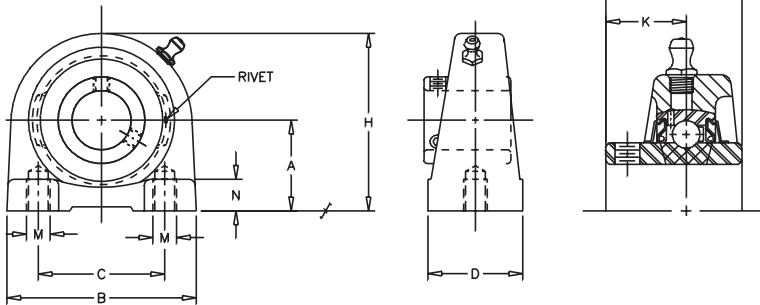
VALUE & QUALITY V
TAPPED T
BASE B
SET SCREW S

200 2
NORMAL 0
DUTY 0

VTBS-200

Lock: Set Screw
Seal: Contact
Housing: Cast Iron
Temperature: -20°F to 200°F
Self Alignment: ±1.5°
Inserts: VS-200
 Dimension pg 18
 Ratings pg 19

Bore Size	Fitting
1/2" - 1 1/4" S	1/4" - 28NF
1 1/4" - 2" S	1/8" NPT



SHAFT DIA. IN	UNIT NO.	BRG NO.	Dimensions in Inches							M BOLT HOLES UNC-THREAD	N MIN TAP DEPTH	UNIT WT.
			A	B	C	D	H	J	K			
1/2	VTBS-208	VS-208	1 5/16	2 7/8	2	1 1/2	2 9/16	1 1/32	5/8	3/8-16	1/2	1.3
5/8	VTBS-210	VS-210	1 5/16	2 7/8	2	1 1/2	2 9/16	1 7/32	23/32	3/8-16	1/2	1.5
3/4	VTBS-212	VS-212	1 7/16	3	2	1 1/2	2 13/16	1 3/8	13/16	3/8-16	1/2	1.6
7/8	VTBS-214	VS-214	1 7/16	3	2	1 1/2	2 13/16	1 3/8	13/16	3/8-16	1/2	1.6
15/16	VTBS-215	VS-215	1 7/16	3	2	1 1/2	2 13/16	1 3/8	13/16	3/8-16	1/2	1.6
1	VTBS-216	VS-216	1 7/16	3	2	1 1/2	2 13/16	1 3/8	13/16	3/8-16	1/2	1.6
1 1/8	VTBS-218	VS-218	1 11/16	4	3	1 1/2	3 3/8	1 1/2	7/8	7/16-14	5/8	2.5
1 3/16	VTBS-219	VS-219	1 11/16	4	3	1 1/2	3 3/8	1 1/2	7/8	7/16-14	5/8	2.5
1 1/4	VTBS-220S	VS-220S	1 11/16	4	3	1 1/2	3 3/8	1 1/2	7/8	7/16-14	5/8	2.5
1 1/4	VTBS-220	VS-220	1 7/8	4 1/4	3 1/4	1 7/8	3 3/4	1 11/16	1	1/2-13	3/4	3.4
1 3/8	VTBS-222	VS-222	1 7/8	4 1/4	3 1/4	1 7/8	3 3/4	1 11/16	1	1/2-13	3/4	3.4
1 7/16	VTBS-223	VS-223	1 7/8	4 1/4	3 1/4	1 7/8	3 3/4	1 11/16	1	1/2-13	3/4	3.4
1 1/2	VTBS-224	VS-224	1 15/16	4 5/8	3 1/2	1 7/8	3 15/16	1 15/16	1 3/16	1/2-13	3/4	3.8
1 5/8	VTBS-226	VS-226	1 15/16	4 5/8	3 1/2	1 7/8	3 15/16	1 15/16	1 3/16	1/2-13	3/4	3.8
1 11/16	VTBS-227	VS-227	2 1/8	5	3 3/4	2	4 1/4	1 15/16	1 3/16	1/2-13	3/4	4.7
1 3/4	VTBS-228	VS-228	2 1/8	5	3 3/4	2	4 1/4	1 15/16	1 3/16	1/2-13	3/4	4.7
1 15/16	VTBS-231	VS-231	2 1/4	5 1/2	4	2	4 5/8	2 1/32	1 9/32	5/8-11	7/8	5.7
2	VTBS-232S	VS-232S	2 1/4	5 1/2	4	2	4 5/8	2 1/32	1 9/32	5/8-11	7/8	5.7

CROSS REFERENCE TO COMPETITORS PRODUCTS

REPLACES DODGE TB-SC	REPLACES MB TBC-25		

Refer to Interchange Section Page 166 for more detail.

See page 156 for trademark acknowledgments.

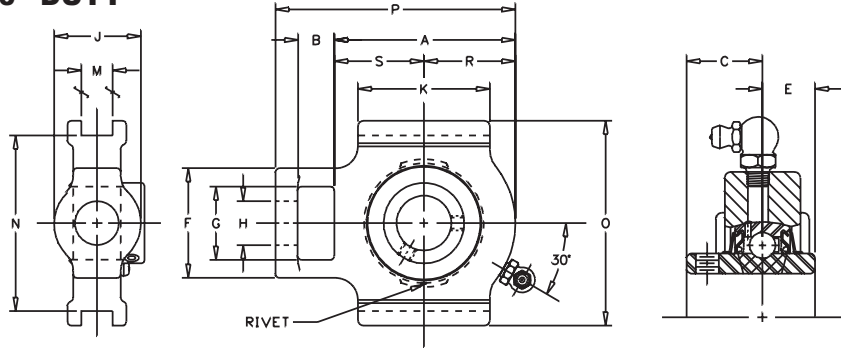
VTWS-200

Lock: Set Screw
Seal: Contact
Housing: Cast Iron
Temperature: -20°F to 200°F
Self Alignment: ±1.5°
Inserts: VS-200
 Dimensions pg 18
 Ratings pg 19

V VALUE & QUALITY
T TAKE-UP
W WIDE SLOT
S SET SCREW

2 200
0 NORMAL
0 DUTY

Bore Size	Fitting
1/2" - 1 1/4" S	1/4" - 28NF
1 1/4" - 2 7/16" S	1/8" NPT



SHAFT DIA. IN	UNIT NO.	BRG NO.	Dimensions In Inches															UNIT WT.
			A	B	C	E	F	G	H CORE	J HUB	K	M	N	O	P	R	S	
1/2	VTWS-208	VS-208	2 11/16	5/8	5/8	13/32	1 7/8	1 1/4	3/4	1 3/8	2	17/32	3	3 1/2	3 11/16	1 5/16	1 3/8	1.5
5/8	VTWS-210	VS-210																
3/4	VTWS-212	VS-212	3	5/8	23/32	1/2	1 7/8	1 1/4	3/4	1 3/8	2 1/4	17/32	3	3 1/2	4	1 7/16	1 9/16	1.7
7/8	VTWS-214	VS-214																
15/16	VTWS-215	VS-215	3 3/32	5/8	13/16	9/16	1 7/8	1 1/4	3/4	1 1/2	2 1/4	17/32	3	3 1/2	4 3/32	1 9/16	1 17/32	1.6
1	VTWS-216	VS-216																
1 1/8	VTWS-218	VS-218	3 3/8	3/4	7/8	5/8	2 1/8	1 7/16	7/8	1 3/4	2 1/2	17/32	3 1/2	4	4 5/8	1 25/32	1 19/32	2.4
1 3/16	VTWS-219	VS-219																
1 1/4	VTWS-220	VS-220																
1 3/8	VTWS-222	VS-222	3 3/4	3/4	1	11/16	2 1/8	1 7/16	7/8	1 3/4	2 3/4	17/32	3 1/2	4	5	2	1 3/4	3.3
1 7/16	VTWS-223	VS-223																
1 1/2	VTWS-224	VS-224	4 7/32	3/4	1 3/16	3/4	2 3/4	1 15/16	1 1/8	2 1/8	3 1/4	11/16	4	4 1/2	5 19/32	2 3/16	2 1/32	5.0
1 5/8	VTWS-226	VS-226																
1 11/16	VTWS-227	VS-227	4 3/8	3/4	1 3/16	3/4	2 3/4	1 15/16	1 1/8	2 1/8	3 1/4	11/16	4	4 1/2	5 3/4	2 1/4	2 1/8	5.6
1 3/4	VTWS-228	VS-228																
1 15/16	VTWS-231	VS-231	4 17/32	3/4	1 9/32	3/4	2 3/4	1 15/16	1 1/8	2 1/8	3 3/8	11/16	4	4 1/2	5 29/32	2 5/16	2 7/32	5.8
2	VTWS-232	VS-232																
2 3/16	VTWS-235	VS-235	5 3/32	1	1 5/16	7/8	3 5/8	2 1/2	1 3/8	2 1/2	3 3/4	1 1/16	5 1/8	5 3/4	6 27/32	2 9/16	2 17/32	8.4
2 7/16	VTWS-239	VS-239	5 1/2	1	1 9/16	1	3 5/8	2 1/2	1 3/8	2 1/2	4	1 1/16	5 1/8	5 3/4	7 1/4	2 27/32	2 21/32	9.3

CROSS REFERENCE TO COMPETITORS PRODUCTS

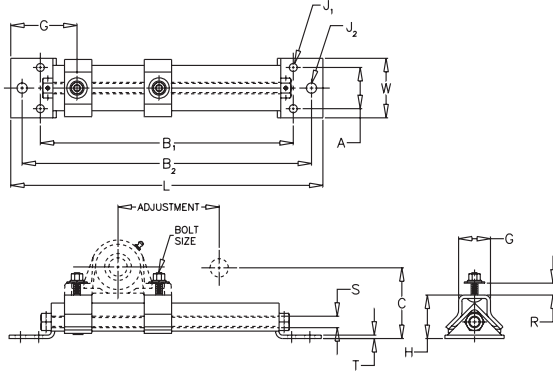
REPLACES DODGE WSTU-SC	REPLACES MB TC-25	REPLACES SKF TBY-TM	
FAFNIR YTU	REPLACES LINK-BELT TH3-U200N		

Refer to Interchange Section Page 166 for more detail.



Ball Bearings

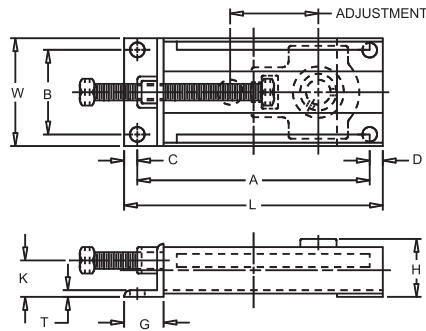
TU-FRAMES



TOP FLANGE
Bearings
Sold
Separately

TF
PROTECTED
SCREW
TAKEUP
FRAME

FRAME PART NO.	BORE RANGE	Nominal Adjustment	Dimensions In Inches													BOLT SIZE	UNIT WT.
			L	W	A	B1	B2	G	H	J1	J2	C	R	S	T		
6TF16	3/4-1	6	17 1/8	3 1/4	2 1/4	13 7/8	15 7/8	3 5/16	2 3/8	7/16	9/16	1 3/4	9/16	5/8	3/16	3/8	6.0
9TF16	3/4-1	9	20 1/8	3 1/4	2 1/4	16 7/8	18 7/8	3 5/16	2 3/8	7/16	9/16	1 3/4	9/16	5/8	3/16	3/8	6.7
6TF31	1 1/16-1 15/16	6	18 3/16	3 1/2	2 1/2	15 7/16	16 15/16	3 3/8	2 13/16	7/16	9/16	2 5/16	7/8	3/4	3/16	1/2	8.9
9TF31	1 1/16-1 15/16	9	22 5/8	3 1/2	2 1/2	19 7/8	21 3/8	3 3/8	2 13/16	7/16	9/16	2 5/16	7/8	3/4	3/16	1/2	10.3
12TF31	1 1/16-1 15/16	12	24 3/16	3 1/2	2 1/2	21 7/16	22 15/16	3 3/8	2 13/16	7/16	9/16	2 5/16	7/8	3/4	3/16	1/2	10.9
18TF31	1 1/16-1 15/16	18	31 5/8	3 1/2	2 1/2	28 7/8	30 3/8	3 3/8	2 13/16	7/16	9/16	2 5/16	7/8	3/4	3/16	1/2	13.3
12TF39	2-2 7/16	12	28	4 1/2	3	24 3/4	26 3/4	4	3 5/16	9/16	11/16	2 5/8	15/16	1	1/4	5/8	18.3
18TF39	2-2 7/16	18	34	4 1/2	3	30 3/4	32 3/4	4	3 5/16	9/16	11/16	2 5/8	15/16	1	1/4	5/8	21.2



SIDE FLANGE
Bearings
Sold
Separately

SF
CENTER
PULL
TAKEUP
FRAME

FRAME PART NO.	BORE RANGE	Adjustment	Dimensions In Inches											BOLT HOLES		UNIT WT.
			L	W	A	B	C	D	G	H Locking Type		K	T	No.	SIZE	
										Set Screw	Eccentric lock					
1SF10	1/2 - 1	1 1/2	7	4 1/16	6	3 3/16	1/2	1/2	1 1/2	2 7/16	2 25/32	1 3/8	1/4	3	9/16	3.3
3SF16	1/2 - 1	3	8 1/2	4 1/16	7 1/2	3 3/16	1/2	1/2	1 1/2	2 7/16	2 25/32	1 3/8	1/4	3	9/16	3.9
6SF16	1/2 - 1	6	11 1/2	4 1/16	10 1/2	3 3/16	1/2	1/2	1 1/2	2 7/16	2 25/32	1 3/8	1/4	3	9/16	5.1
9SF16	1/2 - 1	9	14 1/2	4 1/16	13 1/2	3 3/16	1/2	1/2	1 1/2	2 7/16	2 25/32	1 3/8	1/4	3	9/16	6.2
3SF23	1 1/8 - 1 7/16	3	9 3/8	4 11/16	8 3/8	3 11/16	1/2	1/2	1 1/2	2 31/32	3 19/64	1 3/8	1/4	3	9/16	5.4
6SF23	1 1/8 - 1 7/16	6	12 3/8	4 11/16	11 3/8	3 11/16	1/2	1/2	1 1/2	2 31/32	3 19/64	1 3/8	1/4	3	9/16	6.7
9SF23	1 1/8 - 1 7/16	9	15 3/8	4 11/16	14 3/8	3 11/16	1/2	1/2	1 1/2	2 31/32	3 19/64	1 3/8	1/4	3	9/16	8.1
12SF23	1 1/8 - 1 7/16	12	18 3/8	4 11/16	17 3/8	3 11/16	1/2	1/2	1 1/2	2 31/32	3 19/64	1 3/8	1/4	3	9/16	9.5
3SF31	1 1/2 - 1 15/16	3	11	5 1/16	9 7/8	3 1/16	1/2	5/8	1 1/2	3 1/8	3 11/32	1 5/8	1/4	4	9/16	7.4
6SF31	1 1/2 - 1 15/16	6	14	5 1/16	12 7/8	3 1/16	1/2	5/8	1 1/2	3 1/8	3 11/32	1 5/8	1/4	4	9/16	9.1
9SF31	1 1/2 - 1 15/16	9	17	5 1/16	15 7/8	3 1/16	1/2	5/8	1 1/2	3 1/8	3 11/32	1 5/8	1/4	4	9/16	10.8
12SF31	1 1/2 - 1 15/16	12	20	5 1/16	18 7/8	3 1/16	1/2	5/8	1 1/2	3 1/8	3 11/32	1 5/8	1/4	4	9/16	12.5
18SF31	1 1/2 - 1 15/16	18	26	5 1/16	24 7/8	3 1/16	1/2	5/8	1 1/2	3 1/8	3 11/32	1 5/8	1/4	4	9/16	15.9
9SF39	2 - 2 7/16	9	18 1/4	6 3/8	16 7/8	4 1/8	5/8	3/4	1 1/2	3 23/32	4 1/8	1 7/8	5/16	4	11/16	20.0
12SF39	2 - 2 7/16	12	22 1/4	6 3/8	19 7/8	4 1/8	5/8	3/4	1 1/2	3 23/32	4 1/8	1 7/8	5/16	4	11/16	22.8
18SF39	2 - 2 7/16	18	27 1/4	6 3/8	25 7/8	4 1/8	5/8	3/4	1 1/2	3 23/32	4 1/8	1 7/8	5/16	4	11/16	28.2



Browning®

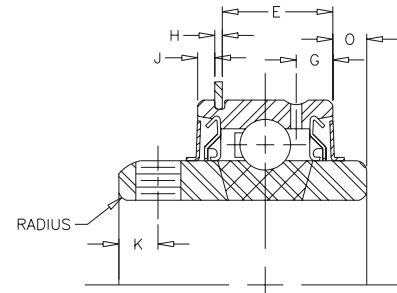
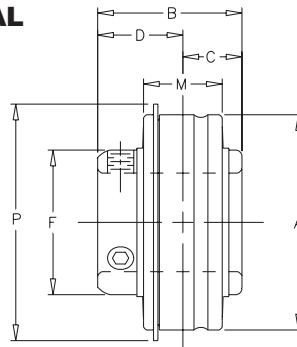
Ball Bearings

VER-200

V VALUE & QUALITY
E ER STYLE
R INSERTS

Lock: Set Screw
Seal: Contact
Temperature: -20°F to 200°F
Ratings: pg 19

2 200
0 NORMAL
0 DUTY



SHAFT DIA. IN.	BRG NO.	Dimensions in Inches														UNIT WT.
		A	B	C	D	E	F	G	H	J	K	M	RAD	O	P	
1/2	VER-208	47MM	1 7/32	1/2	23/32	31/64	1 3/16	11/64	3/64	3/32	3/16	5/8	.040	.187	2 1/16	0.6
5/8	VER-210	1.8504														
3/4	VER-212															
7/8	VER-214	52MM	1 3/8	9/16	13/16	39/64	1 3/8	13/64	3/64	3/32	7/32	3/4	.040	.188	2 17/64	0.7
15/16	VER-215	2.0472														
1	VER-216															
1 1/16	VER-217	62MM	1 1/2	5/8	7/8	11/16	1 19/32	7/32	1/16	1/8	7/32	7/8	.040	.187	2 21/32	0.9
1 1/8	VER-218	2.4409														
1 3/16	VER-219															
1 1/4	VER-220S															
1 1/4	VER-220	72MM	1 11/16	11/16	1	3/4	1 35/64	7/32	1/16	1/8	1/4	15/16	.040	.218	3 5/64	1.4
1 3/8	VER-222	2.8346														
1 7/16	VER-223															
1 1/2	VER-224	80MM	1 15/16	3/4	1 3/16	29/32	2 1/16	1/4	1/16	1/8	5/16	1 3/32	.062	.203	3 13/32	2
1 9/16	VER-225	3.1496														
1 5/8	VER-226	85MM	1 15/16	3/4	1 3/16	29/32	2 19/64	1/4	1/16	1/8	5/16	1 3/32	.062	.203	3 19/32	2.3
1 11/16	VER-227	3.3465														
1 3/4	VER-228															
1 7/8	VER-230	90MM	2 1/32	3/4	1 9/32	29/32	2 15/32	19/64	3/32	1/8	3/8	1 1/8	.062	.187	3 25/32	2.4
1 15/16	VER-231	3.5433														
2	VER-232	100MM	2 3/16	7/8	1 5/16	31/32	2 23/32	19/64	3/32	1/8	3/8	1 3/16	.080	.281	4 3/16	3
2 3/16	VER-235	3.9370														
2 1/4	VER-236	110MM	2 9/16	1	1 9/16	1 1/32	2 63/64	19/64	3/32	1/8	7/16	1 1/4	.080	.375	4 19/32	4
2 3/8	VER-238	4.3307														
2 7/16	VER-239															
2 11/16	VER-243	125MM	2 3/4	1 1/16	1 11/16	1 7/64	3 7/16	5/16	7/64	5/32	7/16	1 3/8	.080	.375	5 9/32	5.6
2 13/16	VER-244	4.9213														
2 15/16	VER-247	130MM	3 1/16	1 5/16	1 3/4	1 15/64	3 41/64	3/8	7/64	5/32	7/16	1 1/2	.080	.562	5 1/2	6.4
2 31/32	VER-246	5.1181														
3	VER-248	140MM	3 1/4	1 5/16	1 15/16	1 25/64	3 59/64	7/16	7/64	3/16	17/32	1 11/16	.120	.468	5 7/8	7.9
3 3/16	VER-251	5.5118														

CROSS REFERENCE TO COMPETITORS PRODUCTS

REPLACES FAFNIR ER	REPLACES MB ER		

Refer to Interchange Section Page 166 for more detail.



Browning®

Ball Bearings

VER-200

Features/Benefits

BROWNING VER Ball Bearings are an economical alternative. The VER critical dimensions are interchangeable with industry standard ER units. The cylindrical outside diameter incorporates a locating snap ring for easy installation and positive location. There is also a grease port in the outer race to provide for lubrication.

VER ball bearings offer the following standard features:

- 120° positioned set screws with diamond faceted tips
- Protective flinger and molded lip contact seals
- Stabilized nylon retainer
- High quality bearing steel



- *Calender rolls, nip rolls, live rolls, idler rolls & drive rolls.*
- *Bulk material handling.*
- *Unit material handling.*
- *Printing webs.*
- *Agricultural processing equipment.*
- *Exercise equipment.*
- *Metal slitting & winding.*
- *Plastic film transfer.*

HOUSING ID RECOMMENDATIONS

Cartridge No.	Dimensions in inches									
	Outside Dia. of Cartridge		Stationary Housing				Revolving Housing			
	Diameters		Diameters		Theoretical Fit		Diameters		Theoretical Fit	
	Max.	Min.	Max.	Min.	Max.	Min.	Max.	Min.	Max.	Min.
VER-208 thru VER-212	1.8504	1.8499	1.8509	1.8503	.0001	.0010	1.8504	1.8498	.0006	.0005
VER-214 thru VER-216	2.0472	2.0466	2.0476	2.0471	.0001	.0010	2.0471	2.0466	.0006	.0005
VER-217 thru VER-219 VER-220S	2.4409	2.4403	2.4413	2.4408	.0001	.0010	2.4408	2.4403	.0006	.0005
VER-220 thru VER-223	2.8346	2.8340	2.8350	2.8345	.0001	.0010	2.8345	2.8340	.0006	.0005
VER-224 VER-225	3.1496	3.1490	3.1500	3.1495	.0001	.0010	3.1495	3.1490	.0006	.0005
VER-226 thru VER-228	3.3465	3.3457	3.3470	3.3464	.0001	.0013	3.3464	3.3458	.0007	.0007
VER-230, VER-231	3.5433	3.5425	3.5438	3.5432	.0001	.0013	3.5432	3.5426	.0007	.0007
VER-232, VER-235	3.9370	3.9362	3.9375	3.9369	.0001	.0013	3.9369	3.9363	.0007	.0007
VER-236 thru VER-239	4.3307	4.3299	4.3312	4.3306	.0001	.0013	4.3306	4.3300	.0007	.0007
VER-243	4.9213	4.9203	4.9219	4.9211	.0002	.0016	4.9212	4.9204	.0009	.0009
VER-247	5.1181	5.1171	5.1187	5.1179	.0002	.0016	5.1180	5.1172	.0009	.0009
VER-248 VER-251	5.5118	5.5108	5.5124	5.5116	.0002	.0016	5.5117	5.5109	.0009	.0009

See page 156 for trademark acknowledgments.



VS-200

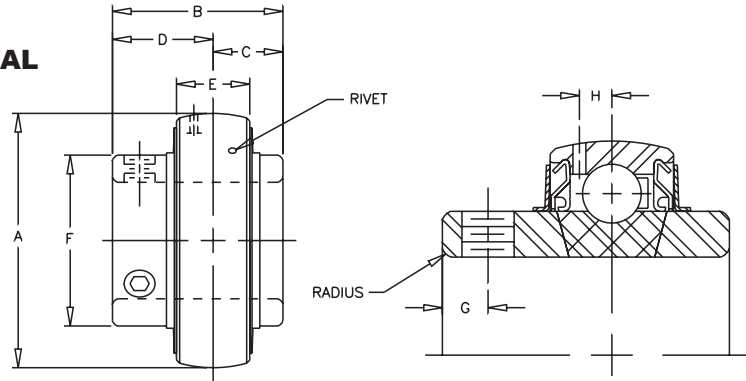
Lock: Set Screw
 Seal: Contact
 Temperature: -20°F to 200°F
 Ratings: Page 19

V VALUE & QUALITY
S SET SCREW INSERT

2 200
0 NORMAL
0 DUTY

Browning[®]

Ball Bearings



SHAFT DIA. IN	BRG. NO.	Dimensions In Inches									SET SCREW TAP	UNIT WT.
		A	B	C	D	E	F	G	H	RADIUS		
1/2	VS-208	40MM	1 1/32	13/32	5/8	.512	31/32	5/32	9/64	.040	10-32	.4
5/8	VS-210	1.5748										
3/4	VS-212	47MM 1.8504	1 7/32	1/2	23/32	.591	1 3/16	3/16	5/32	.040	1/4-28	.4
7/8	VS-214	52MM	1 3/8	9/16	13/16	.591	1 3/8	7/32	5/32	.040	1/4-28	.6
15/16	VS-215	2.0472										
1	VS-216											
1 1/8	VS-218	62MM	1 1/2	5/8	7/8	.709	1 19/32	7/32	13/64	.040	1/4-28	.9
1 3/16	VS-219	2.4409										
1 1/4	VS-220S											
1 1/4	VS-220	72MM	1 11/16	11/16	1	.748	1 55/64	1/4	15/64	.040	5/16-24	1.2
1 3/8	VS-222	2.8346										
1 7/16	VS-223											
1 1/2	VS-224	80MM 3.1496	1 15/16	3/4	1 3/16	.866	2 1/16	5/16	17/64	.062	5/16-24	1.5
1 5/8	VS-226	85MM	1 15/16	3/4	1 3/16	.866	2 19/64	5/16	17/64	.062	5/16-24	1.6
1 11/16	VS-227	3.3465										
1 3/4	VS-228											
1 15/16	VS-231	90MM	2 1/32	3/4	1 9/32	.906	2 15/32	3/8	9/32	.062	3/8-24	1.8
2	VS-232S	3.5433										
2	VS-232	100MM	2 3/16	7/8	1 5/16	.984	2 23/32	3/8	5/16	.080	3/8-24	2.3
2 3/16	VS-235	3.9370										
2 1/4	VS-236	110MM	2 9/16	1	1 9/16	1.063	2 63/64	7/16	21/64	.080	3/8-24	3.1
2 7/16	VS-239	4.3307										
2 11/16	VS-243	125MM 4.9213	2 3/4	1 1/16	1 11/16	1.102	3 7/16	7/16	3/8	.125	7/16-20	4.5
2 15/16	VS-247	130MM 5.1181	3 1/16	1 5/16	1 3/4	1.142	3 41/64	7/16	3/8	.125	7/16-20	6.7
3 1/2	VS-256	160MM 6.2992	3 25/32	1 9/16	2 7/32	1.457	4 25/64	5/8	1/2	.125	1/2-20	11.5

CROSS REFERENCE TO COMPETITORS PRODUCTS

For insert interchange information, contact EPT Mounted Bearing Technical Support.
 See page 260 for contact information.



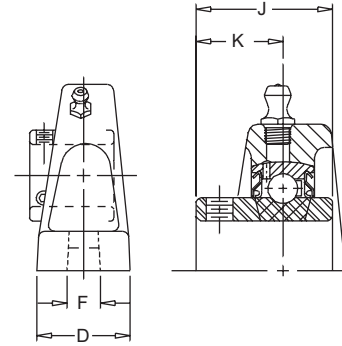
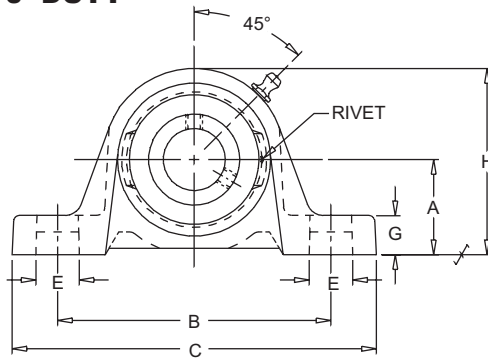
VPS-300

Lock: Set Screw
 Seal: Contact
 Housing: Cast Iron
 Temperature: -20°F to 200°F
 Self Alignment: ±1.5°
 Inserts: VS-300
 Dimensions pg 26
 Ratings pg 27

V VALUE & QUALITY
P PILLOW BLOCK
S SET SCREW

3 300
0 MEDIUM
0 DUTY

Bore Size	Fitting
1"	1/4" - 28NF
1 3/16" - 3 15/16" S	1/8" NPT



SHAFT DIA. IN	UNIT NO.	BRG. NO.	Dimensions in Inches											BOLT SIZE IN.	UNIT WT.
			A	B	C	D	E	F	G	H	J	K			
1	VPS-316	VS-316	1 3/4	4 5/8	6 3/16	1 3/4	15/16	9/16	23/32	3 11/32	1 1/2	7/8	1/2	3.6	
1 3/16	VPS-319	VS-319	1 7/8	5	6 3/4	1 3/4	7/8	9/16	23/32	3 11/16	1 11/16	1	1/2	4.8	
1 7/16	VPS-323	VS-323	2 1/8	5 17/32	7 1/4	2	29/32	9/16	13/16	4 3/16	1 15/16	1 3/16	1/2	6.2	
1 1/2	VPS-324	VS-324	2 5/16	5 31/32	7 13/16	2 3/16	1	11/16	13/16	4 9/16	1 15/16	1 3/16	5/8	8.0	
1 11/16	VPS-327	VS-327	2 5/16	6 1/8	7 15/16	2 1/4	1	11/16	13/16	4 5/8	2 1/32	1 9/32	5/8	8.0	
1 3/4	VPS-328	VS-328	2 5/16	6 1/8	7 15/16	2 1/4	1	11/16	13/16	4 5/8	2 1/32	1 9/32	5/8	8.0	
1 15/16	VPS-331	VS-331	2 1/2	6 15/16	8 13/16	2 5/16	1	11/16	7/8	4 31/32	2 3/16	1 5/16	5/8	10.5	
2	VPS-332	VS-232	2 1/2	6 15/16	8 13/16	2 5/16	1	11/16	7/8	4 31/32	2 3/16	1 5/16	5/8	10.5	
2 3/16	VPS-335	VS-335	2 3/4	7 13/32	9 1/2	2 3/8	1 5/32	11/16	7/8	5 9/16	2 9/16	1 9/16	5/8	14.3	
2 1/4	VPS-336	VS-236	2 3/4	7 13/32	9 1/2	2 3/8	1 5/32	11/16	7/8	5 9/16	2 9/16	1 9/16	5/8	14.3	
2 7/16	VPS-339	VS-339	3	8 1/4	10 3/4	2 11/16	1 3/8	13/16	15/16	6 3/16	2 3/4	1 11/16	3/4	18.7	
2 1/2	VPS-340	VS-340	3	8 1/4	10 3/4	2 11/16	1 3/8	13/16	15/16	6 3/16	2 3/4	1 11/16	3/4	18.7	
2 11/16	VPS-343	VS-343	3 1/2	9 1/8	12	2 7/8	1 1/4	15/16	1	6 13/16	3 1/16	1 3/4	7/8	24.2	
2 15/16	VPS-347	VS-347	3 1/2	9 1/4	12	3	1 1/2	15/16	1 1/4	7	3 1/4	1 15/16	7/8	26.4	
3	VPS-348	VS-348	3 1/2	9 1/4	12	3	1 1/2	15/16	1 1/4	7	3 1/4	1 15/16	7/8	26.4	
3 7/16	VPS-355	VS-355	4	11 1/8	14	3 3/8	1 1/2	15/16	1 5/16	7 15/16	3 25/32	2 7/32	7/8	38.5	
3 1/2	VPS-356	VS-256	4	11 1/8	14	3 3/8	1 1/2	15/16	1 5/16	7 15/16	3 25/32	2 7/32	7/8	38.5	
3 15/16	VPS-363	VS-363	5	13 1/4	17	4	1 13/16	1 1/16	1 3/8	9 3/4	4 5/8	2 11/16	1	72.6	

⊗ Air Handling (AH) To order specify AH suffix, i.e. VPS-316 AH (see page 50)

CROSS REFERENCE TO COMPETITORS PRODUCTS

REPLACES DODGE P2B-SCM	REPLACES MB C-35	REPLACES SKF SYM-TM	REPLACES NTN UCPX
		REPLACES HUB CITY PB350**	REPLACES BOSTON MB

Refer to Interchange Section Page 166 for more detail.

**-Narrow Length through Bore



Ball Bearings

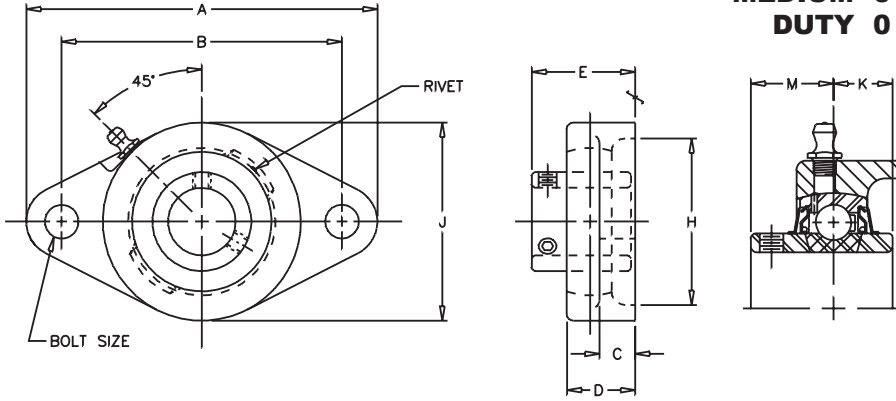
VALUE & QUALITY V
FLANGE F
TWO BOLT 2
SET SCREW S

300 3
MEDIUM 0
DUTY 0

VF2S-300

Lock: Set Screw
Seal: Contact
Housing: Cast Iron
Temperature: -20°F to 200°F
Self Alignment: ±1.5°
Inserts: VS-300
 Dimensions pg 26
 Ratings pg 27

Bore Size	Fitting
1"	1/4" - 28NF
1 3/16" - 2" S	1/8" NPT



SHAFT DIA. IN.	UNIT NO.	BRG. NO.	Dimensions In Inches									BOLT SIZE IN.	UNIT WT.
			A	B	C	D	E	H CORED	J	K	M		
⊗ 1	VF2S-316	VS-316	5 9/16	4 19/32	17/32	1 5/64	1 9/16	2 3/4	3 1/8	5/8	7/8	7/16	2.7
⊗ 1 3/16	VF2S-319	VS-319	6 1/8	5 1/8	19/32	1 5/32	1 3/4	3 3/16	3 5/8	11/16	1	1/2	2.7
⊗ 1 1/4	VF2S-320	VS-220											
⊗ 1 7/16	VF2S-323	VS-323	6 3/4	5 21/32	5/8	1 19/64	2 1/64	3 1/2	4 1/8	3/4	1 3/16	1/2	4.8
⊗ 1 1/2	VF2S-324	VS-324	7 1/16	5 27/32	5/8	1 21/64	2 3/64	3 3/4	4 3/8	3/4	1 3/16	9/16	4.8
⊗ 1 11/16	VF2S-327	VS-327	7 7/16	6 3/16	5/8	1 23/64	2 5/32	4	4 9/16	3/4	1 9/32	9/16	7.6
⊗ 1 3/4	VF2S-328	VS-328											
⊗ 1 15/16	VF2S-331	VS-331	8 1/2	7 1/4	13/16	1 33/64	2 5/16	4 1/4	5 1/4	7/8	1 5/16	5/8	9.6
⊗ 2	VF2S-332	VS-232											

⊗ Air Handling (AH) To order specify AH suffix, i.e. VF2S-316 AH (See page 50)

CROSS REFERENCE TO COMPETITORS PRODUCTS

REPLACES DODGE F2B-SCM	REPLACES MB FC2-35	REPLACES SKF FYTM-TM	REPLACES NTN UCFLX
FAFNIR YCJ-TM			

Refer to Interchange Section Page 166 for more detail.

See page 156 for trademark acknowledgments.

Set Screw



300

VF4S-300

Lock: Set Screw
 Seal: Contact
 Housing: Cast Iron
 Temperature: -20°F to 200°F
 Self Alignment: ±1.5°
 Inserts: VS-300
 Dimensions pg 26
 Ratings pg 27

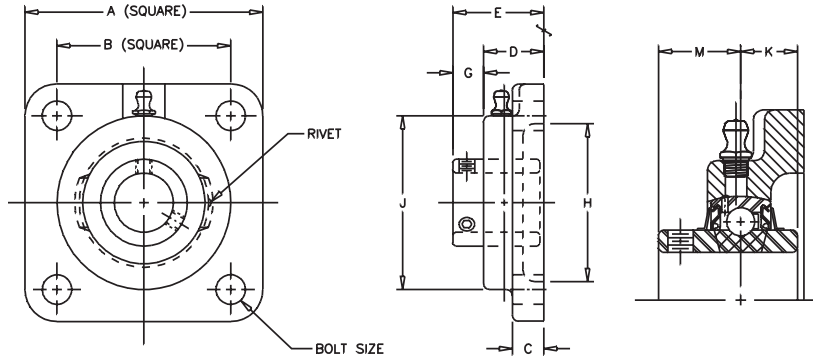
Bore Size	Fitting
1"	1/4" - 28NF
1 3/16" - 3 15/16" S	1/8" NPT

V VALUE & QUALITY
F FLANGE
4 FOUR BOLT
S SET SCREW

3 300
0 MEDIUM
0 DUTY

Browning[®]

Ball Bearings



SHAFT DIA. IN	UNIT NO.	BRG. NO.	Dimensions in Inches										BOLT SIZE IN.	UNIT WT.
			A	B	C	D	E	G	H CORED	J	K	M		
1	VF4S-316	VS-316	4 1/4	3 1/4	17/32	1 5/64	1 9/16	31/64	2 7/8	3 1/8	5/8	7/8	7/16	2.9
1 3/16	VF4S-319	VS-319	4 5/8	3 5/8	19/32	1 5/32	1 3/4	19/32	3 1/4	3 5/8	11/16	1	1/2	2.9
1 7/16	VF4S-323	VS-323	5 1/8	4	5/8	1 19/64	2 1/64	23/32	3 1/2	4 1/8	3/4	1 3/16	1/2	5.0
1 1/2	VF4S-324	VS-324	5 3/8	4 1/8	5/8	1 21/64	2 3/64	23/32	3 7/8	4 3/8	3/4	1 3/16	9/16	5.0
1 11/16	VF4S-327	VS-327	5 5/8	4 3/8	5/8	1 23/64	2 5/32	51/64	4	4 9/16	3/4	1 9/32	9/16	5.8
1 3/4	VF4S-328	VS-328	6 3/8	5 1/8	13/16	1 33/64	2 5/16	51/64	4 1/4	5 1/4	7/8	1 5/16	5/8	8.0
2	VF4S-332	VS-232	6 7/8	5 5/8	13/16	1 11/16	2 11/16	1	5	5 7/16	1	1 9/16	5/8	9.9
2 3/16	VF4S-335	VS-335	7 3/8	5 7/8	13/16	1 49/64	2 7/8	1 7/64	5 1/8	6 1/8	1 1/16	1 11/16	5/8	13.3
2 1/4	VF4S-336	VS-236	7 3/8	5 7/8	13/16	1 49/64	2 7/8	1 7/64	5 1/8	6 1/8	1 1/16	1 11/16	5/8	13.3
2 7/16	VF4S-339	VS-339	7 3/4	6	1	2 3/64	3 3/16	1 9/64	5 3/4	6 1/2	1 5/16	1 3/4	3/4	16.7
2 1/2	VF4S-340	VS-340	7 3/4	6	1	2 3/64	3 3/16	1 9/64	5 3/4	6 1/2	1 5/16	1 3/4	3/4	16.7
2 11/16	VF4S-343	VS-343	7 3/4	6	1	2 1/8	3 3/8	1 1/4	5 23/32	6 3/4	1 5/16	1 15/16	3/4	17.4
2 15/16	VF4S-347	VS-347	7 3/4	6	1	2 1/8	3 3/8	1 1/4	5 23/32	6 3/4	1 5/16	1 15/16	3/4	17.4
3	VF4S-348	VS-348	8 7/16	6 3/4	1 1/8	2 31/64	3 15/16	1 29/64	6 15/32	7 3/4	1 9/16	2 7/32	7/8	24.4
3 7/16	VF4S-355	VS-355	8 7/16	6 3/4	1 1/8	2 31/64	3 15/16	1 29/64	6 15/32	7 3/4	1 9/16	2 7/32	7/8	24.4
3 1/2	VF4S-356	VS-256	10 9/16	8 5/16	1 3/8	2 31/32	4 25/32	1 13/16	7 23/32	9 1/4	1 15/16	2 11/16	1	44.7
3 15/16	VF4S-363	VS-363	10 9/16	8 5/16	1 3/8	2 31/32	4 25/32	1 13/16	7 23/32	9 1/4	1 15/16	2 11/16	1	44.7

⊗ Air Handling (AH) To order specify AH suffix, i.e. VF4S-316 AH (See page 50)

CROSS REFERENCE TO COMPETITORS PRODUCTS

REPLACES DODGE F4B-SCM	REPLACES MB FC4-35	REPLACES SKF FYM-TM	REPLACES NTN UCFX
FAFNIR YCJM		REPLACES HUB CITY FB350**	REPLACES BOSTON MBF

Refer to Interchange Section Page 166 for more detail.
 **-Narrow length through bore



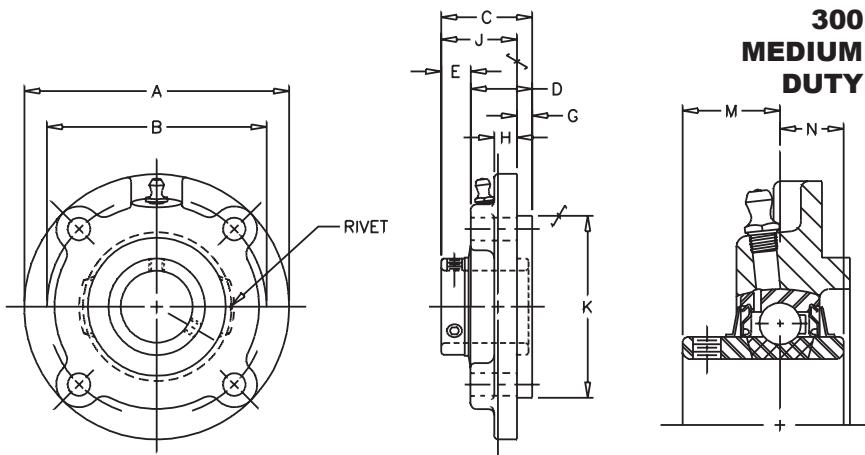
Ball Bearings

VALUE & QUALITY V
FLANGE F
CARTRIDGE C
SET SCREW S

VFCS-300

Lock: Set Screw
Seal: Contact
Housing: Cast Iron
Temperature: -20°F to 200°F
Self Alignment: ±1.5°
Inserts: VS-300
 Dimensions pg 26
 Ratings pg 27

300 3
MEDIUM 0
DUTY 0



Bore Size	Fitting
1" - 2"	1/4" - 28NF
2 3/16" - 3 15/16"	1/8" NPT

SHAFT DIA. IN	UNIT NO.	BRG. NO.	Dimensions in Inches											BOLT SIZE IN.	UNIT WT.
			A	B	C	D	E	G	H	J	*K	M	N		
1	VFCS-316	VS-316	4 3/8	3 5/8	1 1/2	1 1/64	31/64	1/4	3/8	1 1/4	3	7/8	5/8	5/16	2.5
1 3/16	VFCS-319	VS-319	5	4 1/8	1 11/16	1 3/32	19/32	3/8	3/8	1 5/16	3 3/8	1	11/16	3/8	3.2
1 1/4	VFCS-320	VS-220													
1 7/16	VFCS-323	VS-323	5 1/4	4 3/8	1 15/16	1 7/32	23/32	7/16	3/8	1 1/2	3 5/8	1 3/16	3/4	3/8	3.7
1 1/2	VFCS-324	VS-324	6 1/8	5 1/8	1 15/16	1 7/32	23/32	7/16	3/8	1 1/2	4 1/4	1 3/16	3/4	7/16	5.0
1 11/16	VFCS-327	VS-327	6 1/8	5 1/8	2 1/16	1 17/64	51/64	15/32	3/8	1 19/32	4 1/4	1 9/32	3/4	7/16	5.8
1 3/4	VFCS-328	VS-328													
1 15/16	VFCS-331	VS-331	6 3/8	5 3/8	2 13/64	1 13/32	51/64	5/8	3/8	1 37/64	4 1/2	1 5/16	7/8	7/16	6.0
2	VFCS-332	VS-232	7 1/8	6	2 7/8	1 7/8	1	7/8	1/2	2	5	1 9/16	1	1/2	6.1
2 3/16	VFCS-335	VS-335													
2 1/4	VFCS-336	VS-236	7 5/8	6 1/2	3 7/64	2	1 7/64	1	1/2	2 7/64	5 1/2	1 11/16	1 1/16	1/2	10.2
2 7/16	VFCS-339	VS-339													
2 1/2	VFCS-340	VS-340	8 3/4	7 1/2	3 3/16	2 3/64	1 9/64	1	1/2	2 3/16	6 3/8	1 3/4	1 5/16	5/8	14.0
2 11/16	VFCS-343	VS-343													
2 15/16	VFCS-347	VS-347	8 3/4	7 1/2	3 3/8	2 1/8	1 1/4	1 1/8	1/2	2 1/4	6 3/8	1 15/16	1 5/16	5/8	14.0
3	VFCS-348	VS-348													
3 7/16	VFCS-355	VS-355	10 1/4	8 5/8	3 29/32	2 29/64	1 29/64	1 1/8	5/8	2 25/32	7 3/8	2 7/32	1 9/16	3/4	21.0
3 1/2	VFCS-356	VS-256	10 7/8	9 3/8	4 11/16	2 7/8	1 13/16	1 5/16	3/4	3 3/8	8 1/8	2 11/16	1 15/16	3/4	28.0
3 15/16	VFCS-363	VS-363													

* Tolerance +.000", -.002"

CROSS REFERENCE TO COMPETITORS PRODUCTS

REPLACES DODGE FC-SCM	REPLACES MB PFC4-35		
		REPLACES HUB CITY FC350**	REPLACES BOSTON MBP

Refer to Interchange Section Page 166 for more detail.

**Narrow length through bore

See page 156 for trademark acknowledgments.

Set Screw

300

VTWS-300

Lock: Set Screw
 Seal: Contact
 Housing: Cast Iron
 Temperature: -20°F to 200°F
 Self Alignment: +/-1.5
 Inserts: VS-300
 Dimensions pg 26
 Ratings pg 27

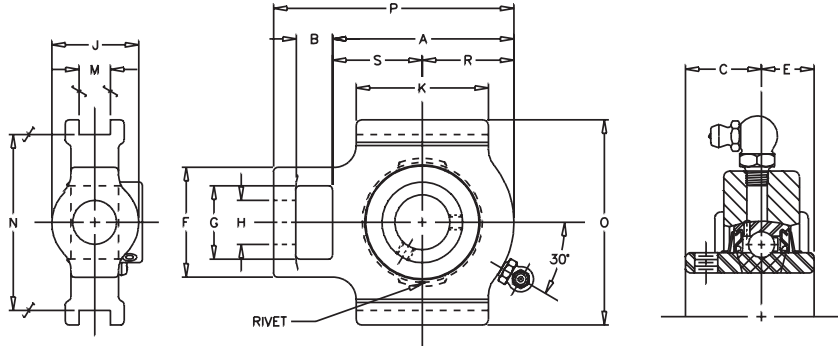
Bore Size	Fitting
1"	1/4" - 28NF
1 3/16" - 3"	1/8" NPT

V VALUE & QUALITY
T TAKE-UP
W WIDE SLOT
S SET SCREW

3 300
0 MEDIUM
0 DUTY

Browning[®]

Ball Bearings



SHAFT DIA. IN	UNIT NO.	BRG. NO.	Dimensions In Inches															UNIT WT.
			A	B	C	E	F	G	H CORE	J HUB	K	M	N	O	P	R	S	
1	VTWS-316	VS-316	3 3/8	3/4	7/8	5/8	2 1/8	1 7/16	7/8	1 3/4	2 1/2	17/32	3 1/2	4	4 5/8	1 25/32	1 19/32	3.1
1 3/16	VTWS-319	VS-319	3 3/4	3/4	1	11/16	2 1/8	1 7/16	7/8	1 3/4	2 3/4	17/32	3 1/2	4	5	2	1 3/4	4.0
1 7/16	VTWS-323	VS-323	4 7/32	3/4	1 3/16	3/4	2 3/4	1 15/16	1 1/8	2 1/8	3 1/4	11/16	4	4 1/2	5 19/32	2 3/16	2 1/32	5.7
1 1/2	VTWS-324	VS-324	4 3/8	3/4	1 3/16	3/4	2 3/4	1 15/16	1 1/8	2 1/8	3 1/4	11/16	4	4 1/2	5 3/4	2 1/4	2 1/8	5.7
1 11/16	VTWS-327	VS-327	4 17/32	3/4	1 9/32	3/4	2 3/4	1 15/16	1 1/8	2 1/8	3 3/8	11/16	4	4 1/2	5 29/32	2 5/16	2 7/32	6.2
1 3/4	VTWS-328	VS-328																
1 15/16	VTWS-331	VS-331	5 3/32	1	1 5/16	7/8	3 5/8	2 1/2	1 3/8	2 1/2	3 3/4	1 1/16	5 1/8	5 3/4	6 27/32	2 9/16	2 17/32	9.5
2	VTWS-332	VS-232																
2 3/16	VTWS-335	VS-335	5 1/2	1	1 9/16	1	3 5/8	2 1/2	1 3/8	2 1/2	4	1 1/16	5 1/8	5 3/4	7 1/4	2 27/32	2 21/32	11.0
2 1/4	VTWS-336	VS-236																
2 7/16	VTWS-339	VS-339	6 9/16	1 1/4	1 11/16	1 1/16	4 3/8	2 3/4	1 5/8	2 7/8	4 3/4	1 1/16	5 15/16	6 9/16	8 5/8	3 1/4	3 5/16	17.0
2 1/2	VTWS-340	VS-340																
2 11/16	VTWS-343	VS-343	6 7/8	1 1/4	1 3/4	1 5/16	4 3/8	2 3/4	1 5/8	2 7/8	4 3/4	1 1/16	5 15/16	6 9/16	8 15/16	3 7/16	3 7/16	18.0
2 15/16	VTWS-347	VS-347	6 15/16	1 1/4	1 15/16	1 5/16	4 3/8	2 3/4	1 5/8	2 7/8	4 3/4	1 1/16	6 1/2	7 1/4	9	3 1/2	3 7/16	20.0
3	VTWS-348	VS-348																

CROSS REFERENCE TO COMPETITORS PRODUCTS

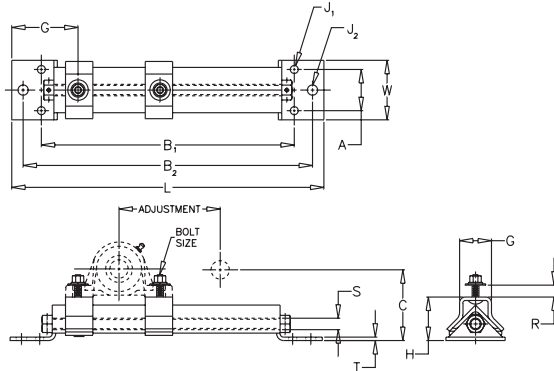
REPLACES DODGE WSTU-SCM	REPLACES MB TC-35	REPLACES SKF TBYM-TM	

Refer to Interchange Section Page 166 for more detail.



Ball Bearings

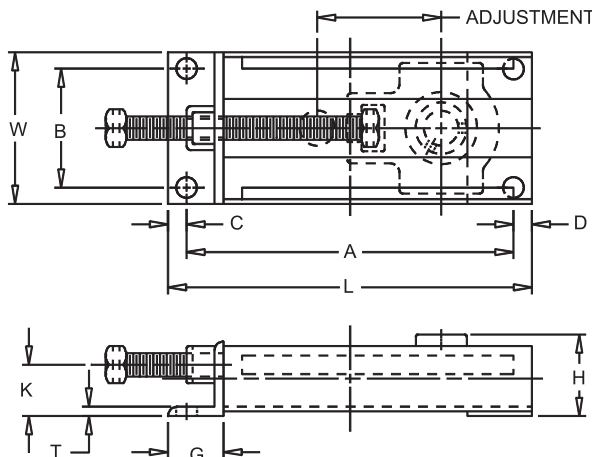
TU-FRAMES



TOP FLANGE
Bearings
Sold
Separately

TF
PROTECTED
SCREW
TAKEUP
FRAME

FRAME PART NO.	BORE RANGE	Nominal Adjustment	Dimensions In Inches													BOLT SIZE	UNIT WT.
			L	W	A	B1	B2	G	H	J1	J2	C	R	S	T		
6TF16	3/4-1	6	17 1/8	3 1/4	2 1/4	13 7/8	15 7/8	3 5/16	2 3/8	7/16	9/16	1 3/4	9/16	5/8	3/16	3/8	6.0
9TF16	3/4-1	9	20 1/8	3 1/4	2 1/4	16 7/8	18 7/8	3 5/16	2 3/8	7/16	9/16	1 3/4	9/16	5/8	3/16	3/8	6.7
6TF31	1 1/16-1 15/16	6	18 3/16	3 1/2	2 1/2	15 7/16	16 15/16	3 3/8	2 13/16	7/16	9/16	2 5/16	7/8	3/4	3/16	1/2	8.9
9TF31	1 1/16-1 15/16	9	22 5/8	3 1/2	2 1/2	19 7/8	21 3/8	3 3/8	2 13/16	7/16	9/16	2 5/16	7/8	3/4	3/16	1/2	10.3
12TF31	1 1/16-1 15/16	12	24 3/16	3 1/2	2 1/2	21 7/16	22 15/16	3 3/8	2 13/16	7/16	9/16	2 5/16	7/8	3/4	3/16	1/2	10.9
18TF31	1 1/16-1 15/16	18	31 5/8	3 1/2	2 1/2	28 7/8	30 3/8	3 3/8	2 13/16	7/16	9/16	2 5/16	7/8	3/4	3/16	1/2	13.3
12TF39	2-2 7/16	12	28	4 1/2	3	24 3/4	26 3/4	4	3 5/16	9/16	11/16	2 5/8	15/16	1	1/4	5/8	18.3
18TF39	2-2 7/16	18	34	4 1/2	3	30 3/4	32 3/4	4	3 5/16	9/16	11/16	2 5/8	15/16	1	1/4	5/8	21.2



SIDE FLANGE
Bearings
Sold
Separately

SF
CENTER
PULL
TAKEUP
FRAME

FRAME PART NO.	BORE RANGE	Adjustment	Dimensions In Inches											BOLT HOLES		UNIT WT.
			L	W	A	B	C	D	G	H MAX	K	T	No.	SIZE		
3SF23	1 - 1 13/16	3	9 3/8	4 11/16	8 3/8	3 11/16	1/2	1/2	1 1/2	2 21/32	1 3/8	1/4	3	9/16	5.4	
6SF23	1 - 1 13/16	6	12 3/8	4 1/16	11 3/8	3 11/16	1/2	1/2	1 1/2	2 21/32	1 3/8	1/4	3	9/16	6.7	
9SF23	1 - 1 13/16	9	15 3/8	4 11/16	14 3/8	3 11/16	1/2	1/2	1 1/2	2 21/32	1 3/8	1/4	3	9/16	8.1	
12SF23	1 - 1 13/16	12	18 3/8	4 11/16	17 3/8	3 11/16	1/2	1/2	1 1/2	2 21/32	1 3/8	1/4	3	9/16	9.5	
3SF31	1 7/16 - 1 3/4	3	11	5 1/16	9 7/8	3 1/16	1/2	5/8	1 1/2	3 1/8	1 5/8	1/4	4	9/16	7.4	
6SF31	1 7/16 - 1 3/4	6	14	5 1/16	12 7/8	3 1/16	1/2	5/8	1 1/2	3 1/8	1 5/8	1/4	4	9/16	9.1	
9SF31	1 7/16 - 1 3/4	9	17	5 1/16	15 7/8	3 1/16	1/2	5/8	1 1/2	3 1/8	1 5/8	1/4	4	9/16	10.8	
12SF31	1 7/16 - 1 3/4	12	20	5 1/16	18 7/8	3 1/16	1/2	5/8	1 1/2	3 1/8	1 5/8	1/4	4	9/16	12.5	
18SF31	1 7/16 - 1 3/4	18	26	5 1/16	24 7/8	3 1/16	1/2	5/8	1 1/2	3 1/8	1 5/8	1/4	4	9/16	15.9	
9SF39	1 15/16 - 2 1/4	9	18 1/4	6 3/8	16 7/8	4 1/8	5/8	3/4	2	3 23/32	1 7/8	5/8	4	11/16	20.0	
12SF39	1 15/16 - 2 1/4	12	21 1/4	6 3/8	19 7/8	4 1/8	5/8	3/4	2	3 23/32	1 7/8	5/8	4	11/16	22.8	
18SF39	1 15/16 - 2 1/4	18	27 1/4	6 3/8	25 7/8	4 1/8	5/8	3/4	2	3 23/32	1 7/8	5/8	4	11/16	28.2	



300

VS-300

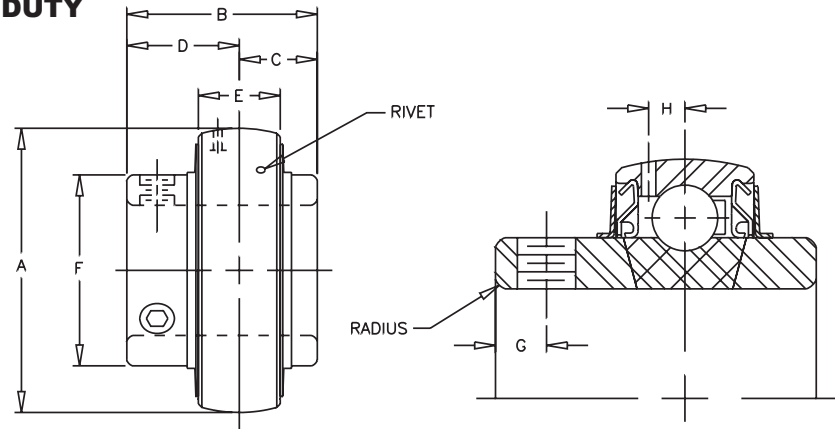
Lock: Set Screw
 Seal: Contact
 Temperature: -20°F to 200°F
 Ratings: Page 27

V VALUE & QUALITY
S SET SCREW

3 300
0 MEDIUM
0 DUTY

Browning®

Ball Bearings



SHAFT DIA. IN	BRG. NO.	Dimensions in Inches									SET SCREW TAP	UNIT WT.
		A	B	C	D	E	F	G	H	RADIUS		
1	VS-316	62MM 2.4409	1 1/2	5/8	7/8	.709	1 19/32	7/32	13/64	.040	1/4-28	.9
1 3/16	VS-319	72MM 2.8346	1 11/16	11/16	1	.748	1 55/64	1/4	15/64	.040	5/16-24	1.2
1 7/16	VS-323	80MM 3.1496	1 15/16	3/4	1 3/16	.866	2 1/16	5/16	17/64	.062	5/16-24	1.6
1 1/2	VS-324	85MM 3.3465	1 15/16	3/4	1 3/16	.866	2 19/64	5/16	17/64	.062	5/16-24	1.6
1 11/16	VS-327	90MM	2 1/32	3/4	1 9/32	.906	2 15/32	3/8	9/32	.062	3/8-24	1.8
1 3/4	VS-328	3.5433										
1 15/16	VS-331	100MM 3.9370	2 3/16	7/8	1 5/16	.984	2 23/32	3/8	5/16	.080	3/8-24	2.3
2 3/16	VS-335	110MM 4.3307	2 9/16	1	1 9/16	1.063	2 63/64	7/16	21/64	.080	3/8-24	3.1
2 7/16	VS-339	125MM										
2 1/2	VS-340	4.9213	2 3/4	1 1/16	1 11/16	1.102	3 7/16	7/16	3/8	.080	7/16-20	4.7
2 11/16	VS-343	130MM 5.1181	3 1/16	1 5/16	1 3/4	1.142	3 41/64	7/16	3/8	.080	7/16-20	4.9
2 15/16	VS-347	140MM										
3	VS-348	5.5118	3 1/4	1 5/16	1 15/16	1.299	3 59/64	17/32	27/64	.120	7/16-20	5.9
3 7/16	VS-355	160MM 6.2992	3 25/32	1 9/16	2 7/32	1.457	4 25/64	5/8	1/2	.120	1/2-20	7.8
3 15/16	VS-363	190MM 7.4803	4 5/8	1 15/16	2 11/16	1.693	5 11/64	3/4	19/32	.120	5/8-18	9.7

CROSS REFERENCE TO COMPETITORS PRODUCTS

For insert interchange information, contact EPT Mounted Bearing Technical Support.
 See page 260 for contact information.



Ball Bearings 300 SERIES RATINGS

This chart displays 300 series ball bearings' load capacity for a given L10 life, speed, and shaft size. Values in the table represent loads at ideal conditions with press fit mounting to the shaft. ABMA recommends de-rating of slip fit mounted bearings. To obtain de-rated load, divide load in table by 1.3. Values in the table represent equivalent radial loads only. For combined load determination, see THE BEARING SELECTION SECTION, page 266. Areas designated by "-" exceed maximum speed value.

Match Bore Size

SHAFT SIZES	L10 HOURS	REVOLUTIONS PER MINUTE													
		50	150	250	500	750	1000	1500	1750	2000	2500	3000	3500	4000	4500
1	5000	1039	1039	1039	825	720	654	572	543	519	482	454	431	412	—
	10000	978	978	825	654	572	519	454	431	412	383	360	342	327	—
	30000	978	678	572	454	396	360	315	299	286	265	250	237	227	—
	50000	825	572	482	383	334	304	265	252	241	224	211	200	191	—
	100000	654	454	383	304	265	241	211	200	191	178	167	159	152	—
1 3/16 1 1/4	5000	1290	1290	1290	1088	951	864	755	717	686	636	599	569	544	—
	10000	1290	1290	1088	864	755	686	599	569	544	505	475	452	432	—
	30000	1290	895	755	599	523	475	415	394	377	350	330	313	299	—
	50000	1088	755	636	505	441	401	350	333	318	295	278	264	253	—
	100000	864	599	505	401	350	318	278	264	253	234	221	210	200	—
1 7/16	5000	1638	1638	1638	1381	1207	1096	958	910	870	808	760	722	—	—
	10000	1638	1638	1381	1096	958	870	760	722	691	641	603	573	—	—
	30000	1638	1136	958	760	664	603	527	501	479	445	418	397	—	—
	50000	1381	958	808	641	560	509	445	422	404	375	353	335	—	—
	100000	1096	760	641	509	445	404	353	335	321	298	280	266	—	—
1 1/2	5000	1763	1763	1763	1487	1299	1180	1031	979	937	870	818	—	—	—
	10000	1763	1763	1487	1180	1031	937	818	777	744	690	650	—	—	—
	30000	1763	1222	1031	818	715	650	567	539	516	479	450	—	—	—
	50000	1487	1031	870	690	603	548	479	455	435	404	380	—	—	—
	100000	1180	818	690	548	479	435	380	361	345	320	301	—	—	—
1 11/16 1 3/4	5000	1760	1760	1760	1485	1297	1178	1029	978	935	868	817	—	—	—
	10000	1760	1760	1485	1178	1029	935	817	7769	742	689	649	—	—	—
	30000	1760	1221	1029	817	714	649	567	538	515	478	450	—	—	—
	50000	1485	1029	868	689	602	547	478	454	434	403	379	—	—	—
	100000	1178	817	689	547	478	434	379	360	345	320	301	—	—	—
1 15/16 2	5000	2176	2176	2176	1835	1603	1457	1273	1209	1156	1073	—	—	—	—
	10000	2176	2176	1835	1457	1273	1156	1010	959	918	852	—	—	—	—
	30000	2176	1509	1273	1010	882	802	700	665	636	591	—	—	—	—
	50000	1835	1273	1073	852	744	676	591	561	537	498	—	—	—	—
	100000	1457	1010	852	676	591	537	469	445	426	395	—	—	—	—
2 3/16 2 1/4	5000	2631	2631	2631	2219	1938	1761	1538	1461	1398	1298	—	—	—	—
	10000	2631	2631	2219	1761	1538	1398	1221	1160	1109	1030	—	—	—	—
	30000	2631	1824	1538	1221	1067	969	847	804	769	714	—	—	—	—
	50000	2219	1538	1298	1030	900	817	714	678	649	602	—	—	—	—
	100000	1761	1221	1030	817	714	649	567	538	515	478	—	—	—	—
2 7/16 2 1/2	5000	3118	3118	3118	2629	2297	2087	1823	1732	1656	—	—	—	—	—
	10000	3118	3118	2629	2087	1823	1656	1447	1375	1315	—	—	—	—	—
	30000	3118	2162	1823	1447	1264	1149	1003	953	912	—	—	—	—	—
	50000	2629	1823	1538	1220	1066	969	846	804	769	—	—	—	—	—
	100000	2087	1447	1220	969	846	769	672	638	610	—	—	—	—	—
2 11/16	5000	3311	3311	3311	2793	2440	2217	1936	1839	1759	—	—	—	—	—
	10000	3311	3311	2793	2217	1936	1759	1537	1460	1396	—	—	—	—	—
	30000	3311	2296	1936	1537	1343	1220	1066	1012	968	—	—	—	—	—
	50000	2793	1936	1633	1296	1332	1029	899	854	817	—	—	—	—	—
	100000	2217	1537	1296	1029	899	817	713	678	648	—	—	—	—	—
2 15/16 3	5000	3885	3885	3885	3277	2863	2601	2272	2158	2064	—	—	—	—	—
	10000	3885	3885	3277	2601	2272	2064	1803	1713	1639	—	—	—	—	—
	30000	3885	2694	2272	1803	1575	1431	1250	1188	1136	—	—	—	—	—
	50000	3277	2272	1916	1521	1329	1207	1055	1002	958	—	—	—	—	—
	100000	2601	1803	1521	1207	1055	958	837	795	761	—	—	—	—	—
3 7/16 3 1/2	5000	4812	4812	4812	4059	3546	3222	2814	2673	—	—	—	—	—	—
	10000	4812	4812	4059	3222	2814	2557	2234	2122	—	—	—	—	—	—
	30000	4812	3337	2814	2234	1951	1773	1549	1471	—	—	—	—	—	—
	50000	4059	2814	2374	1884	1646	1495	1306	1241	—	—	—	—	—	—
	100000	3222	2234	1884	1495	1306	1187	1037	985	—	—	—	—	—	—
3 15/16	5000	6673	6673	6673	5628	4917	4467	3902	—	—	—	—	—	—	—
	10000	6673	6673	5628	4467	3902	3546	3097	—	—	—	—	—	—	—
	30000	6673	4627	3902	3097	2706	2458	2148	—	—	—	—	—	—	—
	50000	5628	3902	3291	2612	2282	2074	1811	—	—	—	—	—	—	—
	100000	4467	3097	2612	2074	1811	1646	1438	—	—	—	—	—	—	—



100

Browning[®]

Ball Bearings

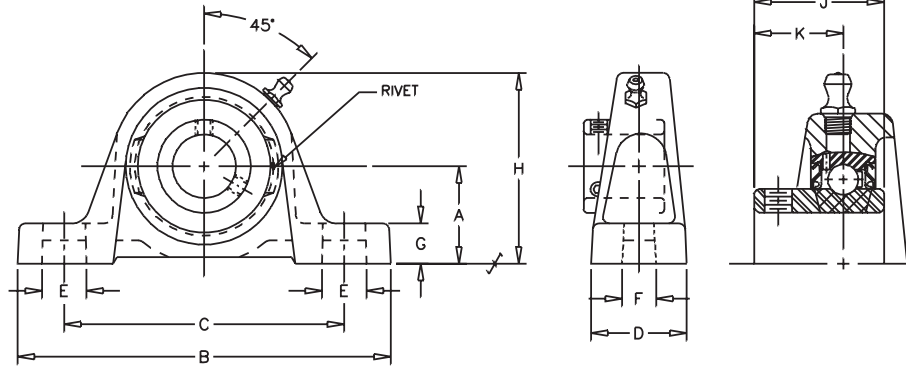
VPS-100

Lock: Set Screw
Seal: Contact
Housing: Cast Iron
Temperature: -20°F to 200°F
Self Alignment: ±1.5°
Inserts: VS-100
 Dimensions pg 47
 Ratings pg 48

V VALUE & QUALITY
P PILLOW BLOCK
S SET SCREW

1 100
0 INTERMEDIATE
0 DUTY

Bore Size	Fitting
1/2" - 1 1/4" S	1/4" - 28NF
1 1/4" - 2 3/16"	1/8" NPT

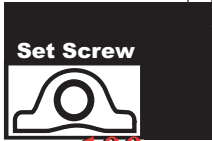


SHAFT DIA. IN	UNIT NO.	BRG NO.	Dimensions in Inches										BOLT SIZE IN.	UNIT WT.
			A	B	C	D	E	F	G	H	J	K		
1/2	VPS-108	VS-108	1 3/16	4 7/8	3 5/8	1 7/32	7/8	7/16	15/32	2 7/32	15/16	5/8	3/8	.8
5/8	VPS-110	VS-110												
3/4	VPS-112	VS-1112	1 5/16	5	3 25/32	1 11/32	25/32	7/16	17/32	2 17/32	1 1/16	23/32	3/8	1.4
7/8	VPS-114	VS-114												
15/16	VPS-115	VS-115	1 7/16	5 1/2	4 1/8	1 13/32	13/16	7/16	19/32	2 13/16	1 7/64	49/64	3/8	1.6
1	VPS-116	VS-116												
1 1/8	VPS-118	VS-118												
1 3/16	VPS-119	VS-119	1 11/16	6 3/16	4 5/8	1 3/4	15/16	9/16	21/32	3 9/32	1 5/32	25/32	1/2	2.6
1 1/4	VPS-120S	VS-120S												
1 1/4	VPS-120	VS-120												
1 3/8	VPS-122	VS-122	1 7/8	6 3/4	5	1 3/4	7/8	9/16	23/32	3 11/16	1 9/32	55/64	1/2	3.5
1 7/16	VPS-123	VS-123												
1 1/2	VPS-124	VS-124	2	7 1/8	5 3/8	1 15/16	1	9/16	13/16	4	1 27/64	15/16	1/2	4.4
1 11/16	VPS-127	VS-127												
1 3/4	VPS-128	VS-128	2 1/8	7 3/8	5 21/32	2	29/32	9/16	3/4	4 1/4	1 7/16	61/64	1/2	5.3
1 15/16	VPS-131	VS-131												
2	VPS-132S	VS-132S	2 1/4	8	6 3/16	2 3/16	15/16	11/16	3/4	4 9/16	1 35/64	1 3/64	5/8	5.8
2	VPS-132	VS-132												
2 3/16	VPS-135	VS-135	2 1/2	8 13/16	6 15/16	2 5/16	1	11/16	7/8	4 31/32	1 21/32	1 7/64	5/8	7.7

CROSS REFERENCE TO COMPETITORS PRODUCTS

REPLACES DODGE P2B-VSC	REPLACES MB C-25		
REPLACES FAFNIR SAS	REPLACES LINK-BELT P3S 200E	REPLACES HUB CITY PB 251	

Refer to Interchange Section Page 166 for more detail.



Browning®

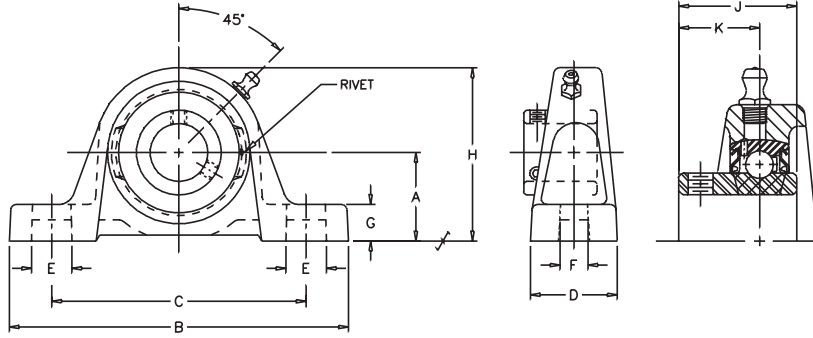
Ball Bearings

VALUE & QUALITY V
PILLOW BLOCK P
LOW BASE L
SET SCREW S

100 1
INTERMEDIATE 0
DUTY 0

VPLS-100

Lock: Set Screw
Seal: Contact
Housing: Cast Iron
Temperature: -20°F to 200°F
Self Alignment: ±1.5°
Inserts: VS-100
Dimension pg 47
Ratings pg 48



Bore Size	Fitting
1/2" - 1 1/4" S	1/4" - 28NF
1 1/4" - 2 3/16"	1/8" NPT

SHAFT DIA. IN.	UNIT NO.	BRG. NO.	Dimensions In Inches										BOLT SIZE IN.	UNIT WT.
			A	B	C	D	E	F	G	H	J	K		
1/2	VPLS-108	VS-108	1 1/16	4 7/8	3 5/8	1 7/32	7/8	7/16	11/32	2 3/32	15/16	5/8	3/8	.7
5/8	VPLS-110	VS-110	1 1/4	5	3 25/32	1 11/32	25/32	7/16	15/32	2 15/32	1 1/16	23/32	3/8	1.3
3/4	VPLS-112	VS-112	1 1/4	5	3 25/32	1 11/32	25/32	7/16	15/32	2 15/32	1 1/16	23/32	3/8	1.3
7/8	VPLS-114	VS-114	1 5/16	5 1/2	4 1/8	1 13/32	13/16	7/16	15/32	2 11/16	1 7/64	49/64	3/8	1.4
15/16	VPLS-115	VS-115	1 5/16	5 1/2	4 1/8	1 13/32	13/16	7/16	15/32	2 11/16	1 7/64	49/64	3/8	1.4
1	VPLS-116	VS-116	1 5/16	5 1/2	4 1/8	1 13/32	13/16	7/16	15/32	2 11/16	1 7/64	49/64	3/8	1.4
1 1/8	VPLS-118	VS-118	1 9/16	6 3/16	4 5/8	1 3/4	15/16	9/16	17/32	3 5/32	1 5/32	25/32	1/2	2.4
1 3/16	VPLS-119	VS-119	1 9/16	6 3/16	4 5/8	1 3/4	15/16	9/16	17/32	3 5/32	1 5/32	25/32	1/2	2.4
1 1/4	VPLS-120S	VS-120S	1 13/16	6 3/4	5	1 3/4	7/8	9/16	21/32	3 5/8	1 9/32	55/64	1/2	3.5
1 1/4	VPLS-120	VS-120	1 13/16	6 3/4	5	1 3/4	7/8	9/16	21/32	3 5/8	1 9/32	55/64	1/2	3.5
1 3/8	VPLS-122	VS-122	1 13/16	6 3/4	5	1 3/4	7/8	9/16	21/32	3 5/8	1 9/32	55/64	1/2	3.5
1 7/16	VPLS-123	VS-123	1 13/16	6 3/4	5	1 3/4	7/8	9/16	21/32	3 5/8	1 9/32	55/64	1/2	3.5
1 1/2	VPLS-124	VS-124	1 15/16	7 1/8	5 3/8	1 15/16	1	9/16	3/4	3 15/16	1 27/64	15/16	1/2	4.5
1 11/16	VPLS-127	VS-127	2 1/16	7 3/8	5 21/32	2	29/32	9/16	11/16	4 3/16	1 7/16	61/64	1/2	5.5
1 3/4	VPLS-128	VS-128	2 1/16	7 3/8	5 21/32	2	29/32	9/16	11/16	4 3/16	1 7/16	61/64	1/2	5.5
1 15/16	VPLS-131	VS-131	2 3/16	8	6 3/16	2 3/16	15/16	11/16	11/16	4 1/2	1 35/64	1 3/64	5/8	5.9
2	VPLS-132S	VS-132S	2 3/16	8	6 3/16	2 3/16	15/16	11/16	11/16	4 1/2	1 35/64	1 3/64	5/8	5.9
2	VPLS-132	VS-132	2 7/16	8 13/16	6 15/16	2 5/16	1	11/16	13/16	4 29/32	1 21/32	1 7/64	5/8	7.6
2 3/16	VPLS-135	VS-135	2 7/16	8 13/16	6 15/16	2 5/16	1	11/16	13/16	4 29/32	1 21/32	1 7/64	5/8	7.6

CROSS REFERENCE TO COMPETITORS PRODUCTS

REPLACES DODGE P2B-VSCB	REPLACES MB CL-25		REPLACES NTN ASPL 2
REPLACES FAFNIR SAK	REPLACES LINK-BELT PL3S 200E	REPLACES HUB CITY PB 250	

Refer to Interchange Section Page 166 for more detail.

See page 156 for trademark acknowledgments.





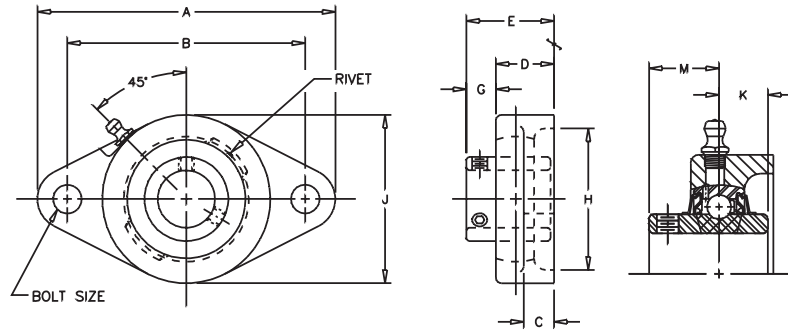
VF2S-100

Lock: Set Screw
Seal: Contact
Housing: Cast Iron
Temperature: -20°F to 200°F
Self Alignment: ±1.5°
Inserts: VS-100
 Dimensions pg 47
 Ratings pg 48

V VALUE & QUALITY
F FLANGE
2 TWO BOLT
S SET SCREW

1 100
0 INTERMEDIATE
0 DUTY

Bore Size	Fitting
1/2" - 1 1/4" S	1/4" - 28NF
1 1/4" - 2 3/16"	1/8" NPT



SHAFT DIA. IN	UNIT NO.	BRG. NO.	Dimensions In Inches										BOLT SIZE IN.	UNIT WT.	
			A	B	BOLT C	D	E	G	H CORED	J	K	M			
1/2	VF2S-108	VS-108													
5/8	VF2S-110	VS-110	3 7/8	3	3/8	23/32	1 5/64	23/64	1 3/4	2 1/8	5/16	5/8	3/8	.8	
3/4	VF2S-112	VS-112	4 13/32	3 17/32	7/16	57/64	1 9/32	25/64	2	2 1/2	11/32	23/32	3/8	.9	
7/8	VF2S-114	VS-114													
15/16	VF2S-115	VS-115	4 7/8	3 57/64	1/2	61/64	1 25/64	7/16	2 5/16	2 3/4	11/32	49/64	7/16	1.0	
1	VF2S-116	VS-116													
1 1/8	VF2S-118	VS-118													
1 3/16	VF2S-119	VS-119	5 9/16	4 19/32	17/32	1 5/64	1 15/32	25/64	2 3/4	3 1/8	3/8	25/32	7/16	1.6	
1 1/4	VF2S-120S	VS-120S													
1 1/4	VF2S-120	VS-120													
1 3/8	VF2S-122	VS-122	6 1/8	5 1/8	19/32	1 5/32	1 39/64	29/64	3 3/16	3 5/8	27/64	55/64	1/2	2.6	
1 7/16	VF2S-123	VS-123													
1 1/2	VF2S-124	VS-124	6 3/4	5 21/32	5/8	1 19/64	1 49/64	15/32	3 1/2	4 1/8	31/64	15/16	1/2	3.4	
1 11/16	VF2S-127	VS-127	7 1/16	5 27/32	5/8	1 21/64	1 13/16	31/64	3 3/4	4 3/8	31/64	61/64	9/16	3.5	
1 3/4	VF2S-128	VS-128													
1 15/16	VF2S-131	VS-131	7 7/16	6 3/16	5/8	1 23/64	1 59/64	9/16	4	4 9/16	1/2	1 3/64	9/16	4.4	
2	VF2S-132S	VS-132S													
2	VF2S-132	VS-132													
2 3/16	VF2S-135	VS-135	8 1/2	7 1/4	13/16	1 33/64	2 7/64	19/32	4 1/4	5 1/4	35/64	1 7/64	5/8	5.7	

CROSS REFERENCE TO COMPETITORS PRODUCTS

REPLACES DODGE F2B-VSC	REPLACES MB FC2-25		
REPLACES FAFNIR SCJT	REPLACES LINK-BELT FX3-S200E	REPLACES HUB CITY FB 260	REPLACES BOSTON ST**

Refer to Interchange Section Page 166 for more detail.

** - Narrow length through bore



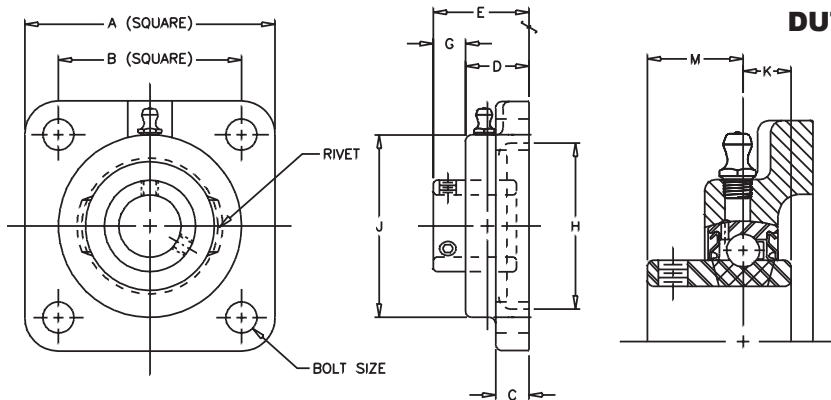
Ball Bearings

VALUE & QUALITY V
FLANGE F
FOUR BOLT 4
SET SCREW S

VF4S-100

Lock: Set Screw
Seal: Contact
Housing: Cast Iron
Temperature: -20°F to 200°F
Self Alignment: ±1.5°
Inserts: VS-100
 Dimensions pg 47
 Ratings pg 48

100 1
INTERMEDIATE 0
DUTY 0



Bore Size	Fitting
1/2" - 1 1/4" S	1/4" - 28NF
1 1/4" - 2 3/16"	1/8" NPT

SHAFT DIA. IN	UNIT NO.	BRG. NO.	Dimensions In Inches										BOLT SIZE IN.	UNIT WT.
			A	B	C	D	E	G	H CORED	J	K	M		
1/2	VF4S-108	VS-108	3	2 1/8	3/8	23/32	1 5/64	23/64	1 3/4	2 1/8	5/16	5/8	3/8	1.0
5/8	VF4S-110	VS-110	3	2 1/8	3/8	23/32	1 5/64	23/64	1 3/4	2 1/8	5/16	5/8	3/8	1.0
3/4	VF4S-112	VS-112	3 3/8	2 1/2	7/16	57/64	1 9/32	25/64	2	2 1/2	11/32	23/32	3/8	1.3
7/8	VF4S-114	VS-114	3 3/4	2 3/4	1/2	61/64	1 25/64	7/16	2 1/2	2 3/4	11/32	49/64	7/16	1.7
15/16	VF4S-115	VS-115	3 3/4	2 3/4	1/2	61/64	1 25/64	7/16	2 1/2	2 3/4	11/32	49/64	7/16	1.7
1	VF4S-116	VS-116												
1 1/8	VF4S-118	VS-118	4 1/4	3 1/4	17/32	1 5/64	1 15/32	25/64	2 7/8	3 1/8	3/8	25/32	7/16	2.4
1 3/16	VF4S-119	VS-119	4 1/4	3 1/4	17/32	1 5/64	1 15/32	25/64	2 7/8	3 1/8	3/8	25/32	7/16	2.4
1 1/4	VF4S-120S	VS-120S												
1 1/4	VF4S-120	VS-120	4 5/8	3 5/8	19/32	1 5/32	1 39/64	29/64	3 1/4	3 5/8	27/64	55/64	1/2	3.4
1 3/8	VF4S-122	VS-122	4 5/8	3 5/8	19/32	1 5/32	1 39/64	29/64	3 1/4	3 5/8	27/64	55/64	1/2	3.4
1 7/16	VF4S-123	VS-123												
1 1/2	VF4S-124	VS-124	5 1/8	4	5/8	1 19/64	1 49/64	15/32	3 1/2	4 1/8	31/64	15/16	1/2	4.4
1 11/16	VF4S-127	VS-127	5 3/8	4 1/8	5/8	1 21/64	1 13/16	31/64	3 7/8	4 3/8	31/64	61/64	9/16	4.7
1 3/4	VF4S-128	VS-128	5 3/8	4 1/8	5/8	1 21/64	1 13/16	31/64	3 7/8	4 3/8	31/64	61/64	9/16	4.7
1 15/16	VF4S-131	VS-131	5 5/8	4 3/8	5/8	1 23/64	1 59/64	9/16	4	4 9/16	1/2	1 3/64	9/16	5.4
2	VF4S-132S	VS-132S												
2	VF4S-132	VS-132	6 3/8	5 1/8	13/16	1 33/64	2 7/64	19/32	4 1/4	5 1/4	35/64	1 7/64	5/8	7.7
2 3/16	VF4S-135	VS-135	6 3/8	5 1/8	13/16	1 33/64	2 7/64	19/32	4 1/4	5 1/4	35/64	1 7/64	5/8	7.7

CROSS REFERENCE TO COMPETITORS PRODUCTS

REPLACES DODGE F4B-VSC	REPLACES MB FC4-25	REPLACES HUB CITY FB250	REPLACES BOSTON SF**
REPLACES FAFNIR SCJ	REPLACES LINK-BELT F3-S200E		

Refer to Interchange Section Page 166 for more detail.
 **-Narrow length through bore

See page 156 for trademark acknowledgments.

Set Screw



100

VTWS-100

Lock: Set Screw
 Seal: Contact
 Housing: Cast Iron
 Temperature: -20°F to 200°F
 Self Alignment: ±1.5°
 Inserts: VS-100
 Dimensions pg 47
 Ratings pg 48

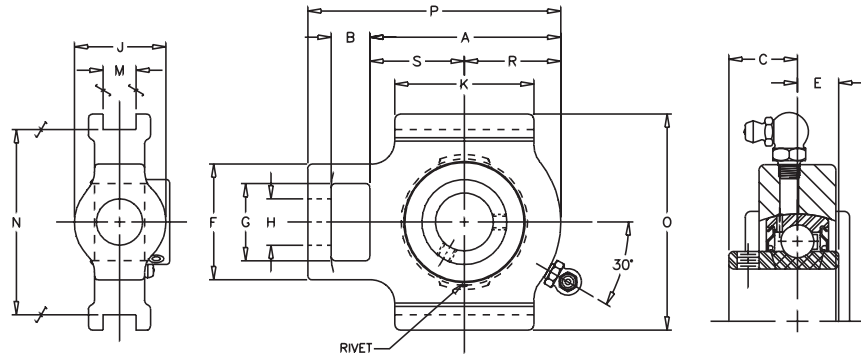
Bore Size	Fitting
1/2" - 1 1/4" S	1/4" - 28NF
1 1/4" - 2 3/16"	1/8" NPT

V VALUE & QUALITY
T TAKE-UP
W WIDE SLOT
S SET SCREW

1 100
0 INTERMEDIATE
0 DUTY

Browning[®]

Ball Bearings



SHAFT DIA. IN	UNIT NO.	BRG. NO.	Dimensions In Inches															UNIT WT.
			A	B	C	E	F	G	H CORE	J HUB	K	M	N	O	P	R	S	
3/4	VTWS-112	VS-112	3	5/8	23/32	11/32	1 7/8	1 1/4	3/4	1 3/8	2 1/4	17/32	3	3 1/2	4	1 7/16	1 9/16	1.6
7/8	VTWS-114	VS-114																
15/16	VTWS-115	VS-115	3 3/32	5/8	49/64	11/32	1 7/8	1 1/4	3/4	1 1/2	2 1/4	17/32	3	3 1/2	4 3/32	1 9/16	1 17/32	1.7
1	VTWS-116	VS-116																
1 1/8	VTWS-118	VS-118																
1 3/16	VTWS-119	VS-119	3 3/8	3/4	25/32	3/8	2 1/8	1 7/16	7/8	1 3/4	2 1/2	17/32	3 1/2	4	4 5/8	1 25/32	1 19/32	2.4
1 1/4	VTWS-120S	VS-120S																
1 1/4	VTWS-120	VS-120																
1 3/8	VTWS-122	VS-122	3 3/4	3/4	55/64	27/64	2 1/8	1 7/16	7/8	1 3/4	2 3/4	17/32	3 1/2	4	5	2	1 3/4	3.1
1 7/16	VTWS-123	VS-123																
1 1/2	VTWS-124	VS-124	4 7/32	3/4	15/16	31/64	2 3/4	1 15/16	1 1/8	2 1/8	3 1/4	11/16	4	4 1/2	5 19/32	2 3/16	2 1/32	4.7
1 11/16	VTWS-127	VS-127																
1 3/4	VTWS-128	VS-128	4 3/8	3/4	61/64	31/64	2 3/4	1 15/16	1 1/8	2 1/8	3 1/4	11/16	4	4 1/2	5 3/4	2 1/4	2 1/8	5.2
1 15/16	VTWS-131	VS-131																
2	VTWS-132S	VS-132S	4 17/32	3/4	1 3/64	1/2	2 3/4	1 15/16	1 1/8	2 1/8	3 3/8	11/16	4	4 1/2	5 29/32	2 5/16	2 7/32	5.4
2	VTWS-132	VS-132																
2 3/16	VTWS-135	VS-135	5 3/32	1	1 7/64	35/64	3 5/8	2 1/2	1 3/8	2 1/2	3 3/4	1 1/16	5 1/8	5 3/4	6 27/32	2 9/16	2 17/32	8

CROSS REFERENCE TO COMPETITORS PRODUCTS

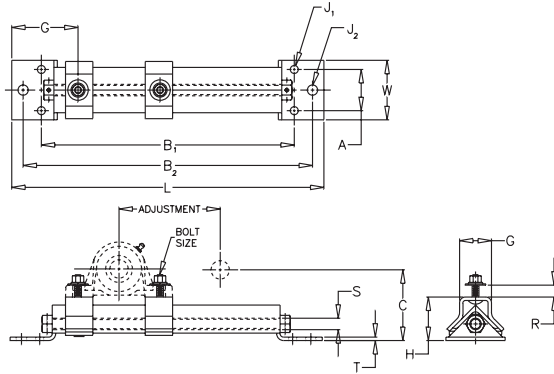
REPLACES DODGE WSTU-VSC	MB TC-25		
		REPLACES HUB CITY WSTU 250	

Refer to Interchange Section Page 166 for more detail.

Browning®

Ball Bearings

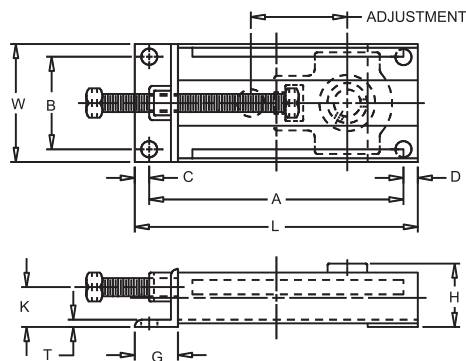
TU-FRAMES



TOP FLANGE
Bearings
Sold
Separately

TF
PROTECTED
SCREW
TAKEUP
FRAME

FRAME PART NO.	BORE RANGE	Nominal Adjustment	Dimensions In Inches													BOLT SIZE	UNIT WT.
			L	W	A	B1	B2	G	H	J1	J2	C	R	S	T		
6TF16	3/4-1	6	17 1/8	3 1/4	2 1/4	13 7/8	15 7/8	3 5/16	2 3/8	7/16	9/16	1 3/4	9/16	5/8	3/16	3/8	6.0
9TF16	3/4-1	9	20 1/8	3 1/4	2 1/4	16 7/8	18 7/8	3 5/16	2 3/8	7/16	9/16	1 3/4	9/16	5/8	3/16	3/8	6.7
6TF31	1 1/16-1 15/16	6	18 3/16	3 1/2	2 1/2	15 7/16	16 15/16	3 3/8	2 13/16	7/16	9/16	2 5/16	7/8	3/4	3/16	1/2	8.9
9TF31	1 1/16-1 15/16	9	22 5/8	3 1/2	2 1/2	19 7/8	21 3/8	3 3/8	2 13/16	7/16	9/16	2 5/16	7/8	3/4	3/16	1/2	10.3
12TF31	1 1/16-1 15/16	12	24 3/16	3 1/2	2 1/2	21 7/16	22 15/16	3 3/8	2 13/16	7/16	9/16	2 5/16	7/8	3/4	3/16	1/2	10.9
18TF31	1 1/16-1 15/16	18	31 5/8	3 1/2	2 1/2	28 7/8	30 3/8	3 3/8	2 13/16	7/16	9/16	2 5/16	7/8	3/4	3/16	1/2	13.3
12TF39	2-2 7/16	12	28	4 1/2	3	24 3/4	26 3/4	4	3 5/16	9/16	11/16	2 5/8	15/16	1	1/4	5/8	18.3
18TF39	2-2 7/16	18	34	4 1/2	3	30 3/4	32 3/4	4	3 5/16	9/16	11/16	2 5/8	15/16	1	1/4	5/8	21.2



SIDE FLANGE
Bearings
Sold
Separately

SF
CENTER
PULL
TAKEUP
FRAME

FRAME PART NO.	BORE RANGE	Adjustment	Dimensions In Inches											BOLT HOLES		UNIT WT.
			L	W	A	B	C	D	G	H MAX	K	T	No.	SIZE		
1SF10	3/4 - 1	1 1/2	7	4 1/16	6	3 3/16	1/2	1/2	1 1/2	2 7/16	1 3/8	1/4	3	9/16	3.3	
3SF16	3/4 - 1	3	8 1/2	4 1/16	7 1/2	3 3/16	1/2	1/2	1 1/2	2 7/16	1 3/8	1/4	3	9/16	3.9	
6SF16	3/4 - 1	6	11 1/2	4 1/16	10 1/2	3 3/16	1/2	1/2	1 1/2	2 7/16	1 3/8	1/4	3	9/16	5.1	
9SF16	3/4 - 1	9	14 1/2	4 1/16	13 1/2	3 3/16	1/2	1/2	1 1/2	2 7/16	1 3/8	1/4	3	9/16	6.2	
3SF23	1 1/8 - 1 7/16	3	9 3/8	4 11/16	8 3/8	3 11/16	1/2	1/2	1 1/2	2 31/32	1 3/8	1/4	3	9/16	5.4	
6SF23	1 1/8 - 1 7/16	6	12 3/8	4 11/16	11 3/8	3 11/16	1/2	1/2	1 1/2	2 31/32	1 3/8	1/4	3	9/16	6.7	
9SF23	1 1/8 - 1 7/16	9	15 3/8	4 11/16	14 3/8	3 11/16	1/2	1/2	1 1/2	2 31/32	1 3/8	1/4	3	9/16	8.1	
12SF23	1 1/8 - 1 7/16	12	18 3/8	4 11/16	17 3/8	3 11/16	1/2	1/2	1 1/2	2 31/32	1 3/8	1/4	3	9/16	9.5	
3SF31	1 1/2 - 1 15/16	3	11	5 1/16	9 7/8	3 1/16	1/2	5/8	1 1/2	3 1/8	1 5/8	1/4	4	9/16	7.4	
6SF31	1 1/2 - 1 15/16	6	14	5 1/16	12 7/8	3 1/16	1/2	5/8	1 1/2	3 1/8	1 5/8	1/4	4	9/16	9.1	
9SF31	1 1/2 - 1 15/16	9	17	5 1/16	15 7/8	3 1/16	1/2	5/8	1 1/2	3 1/8	1 5/8	1/4	4	9/16	10.8	
12SF31	1 1/2 - 1 15/16	12	20	5 1/16	18 7/8	3 1/16	1/2	5/8	1 1/2	3 1/8	1 5/8	1/4	4	9/16	12.5	
18SF31	1 1/2 - 1 15/16	18	26	5 1/16	24 7/8	3 1/16	1/2	5/8	1 1/2	3 1/8	1 5/8	1/4	4	9/16	15.9	
9SF39	2 - 2 3/16	9	18 1/4	6 3/8	16 7/8	4 1/8	5/8	3/4	2	3 23/32	1 7/8	5/16	4	11/16	20.0	
12SF39	2 - 2 3/16	12	22 1/4	6 3/8	19 7/8	4 1/8	5/8	3/4	2	3 23/32	1 7/8	5/16	4	11/16	22.8	
18SF39	2 - 2 3/16	18	27 1/4	6 3/8	25 7/8	4 1/8	5/8	3/4	2	3 23/32	1 7/8	5/16	4	11/16	28.2	

See page 156 for trademark acknowledgments.

Set Screw



100

Browning[®]

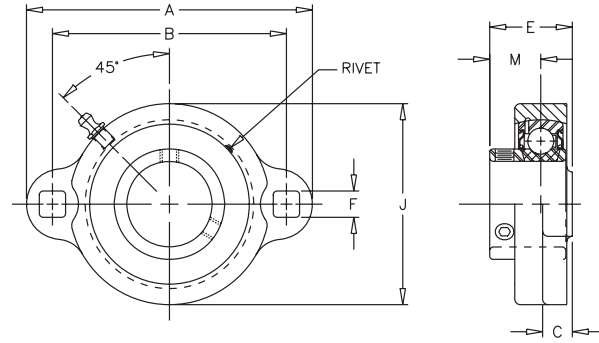
Ball Bearings

VF2S-100M

V VALUE & QUALITY
F FLANGE
2 TWO BOLT
S SET SCREW

Lock: Set Screw
Seal: Contact
Housing: Ductile
Temperature: -20°F to 200°F
Self Alignment: ±1.5°
Inserts: VS-100
 Dimensions pg 47
 Ratings pg 48

1 100
0 INTERMEDIATE
0 DUTY
M DUCTILE



Bore Size	Fitting
1/2" - 1 7/16"	1/4" - 28NF

SHAFT DIA. IN	UNIT NO.	BRG. NO.	Dimensions In Inches							UNIT WT.	
			A	B	C	E	F	J	M		
1/2	VF2S-108M	VS-108									
5/8	VF2S-110M	VS-110	3 3/16	2 1/2	13/32	31/32	19/64	1 15/16	5/8	.6	
3/4	VF2S-112M	VS-112	3 9/16	2 13/16	7/16	1 7/64	23/64	2 1/4	47/64	.9	
7/8	VF2S-114M	VS-114									
15/16	VF2S-115M	VS-115	3 3/4	3	7/16	1 3/16	23/64	2 1/2	49/64	1.0	
1	VF2S-116M	VS-116									
1 1/8	VF2S-118M	VS-118									
1 3/16	VF2S-119M	VS-119	4 7/16	3 9/16	15/32	1 17/64	27/64	2 15/16	25/32	1.5	
1 1/4	VF2S-120SM	VS-120S									
1 1/4	VF2S-120M	VS-120	4 13/16	3 15/16	1/2	1 25/64	27/64	3 3/8	55/64	1.9	
1 3/8	VF2S-122M	VS-122									
1 7/16	VF2S-123M	VS-123									

CROSS REFERENCE TO COMPETITORS PRODUCTS

REPLACES DODGE LFT-SC		REPLACES SEALMASTER BRONZE LFT	REPLACES NTN UCFL-2
	REPLACES LINK-BELT FX-UG200N	REPLACES HUB CITY FB 160	REPLACES BOSTON XL2**

Refer to Interchange Section Page 166 for more detail.
 **-Non-Relubricable

Browning®

Ball Bearings

VALUE & QUALITY V
PILLOW BLOCK P
SET SCREW S

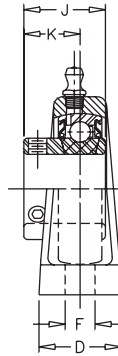
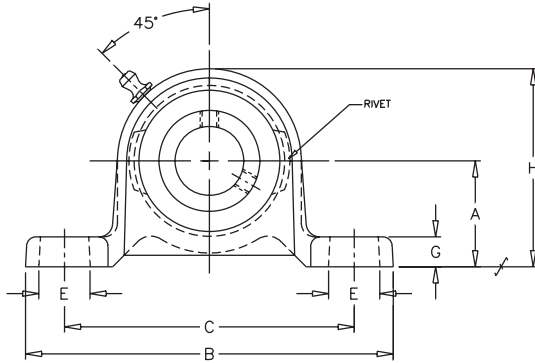
VPS-100M



100

100 1
INTERMEDIATE 0
DUTY 0
DUCTILE M

Lock: Set Screw
Seal: Contact
Housing: Ductile
Temperature: -20°F to 200°F
Self Alignment: ±1.5°
Inserts: VS-100
Dimensions pg 47
Ratings pg 48



Bore Size	Fitting
1/2" - 1 7/16"	1/4" - 28NF

SHAFT DIA. IN	UNIT NO.	BRG. NO.	Dimensions In Inches										UNIT WT.
			A	B	C	D	E	F	G	H	J	K	
1/2	VPS-108M	VS-108	1 3/16	4 7/16	3 7/16	1	21/32	7/16	11/32	2 5/32	15/16	5/8	0.7
5/8	VPS-110M	VS-110											
3/4	VPS-112M	VS-112	1 5/16	4 3/4	3 3/4	1 1/16	21/32	7/16	3/8	2 7/16	1 1/16	23/32	0.9
7/8	VPS-114M	VS-114											
15/16	VPS-115M	VS-115	1 7/16	5	3 15/16	1 1/8	21/32	7/16	13/32	2 11/16	1 7/64	49/64	1.1
1	VPS-116M	VS-116											
1 1/8	VPS-118M	VS-118											
1 3/16	VPS-119M	VS-119	1 11/16	5 15/16	4 23/32	1 5/16	27/32	9/16	13/32	3 5/32	1 5/32	25/32	1.6
1 1/4	VPS-120SM	VS-120S											
1 1/4	VPS-120M	VS-120											
1 3/8	VPS-122M	VS-122	1 7/8	6 1/4	5	1 3/8	27/32	9/16	7/16	3 9/16	1 9/32	55/64	2.4
1 7/16	VPS-123M	VS-123											

CROSS REFERENCE TO COMPETITORS PRODUCTS

		REPLACES SEALMASTER BRONZE LP	
		REPLACES HUB CITY PB 150	REPLACES BOSTON XL**

Refer to Interchange Section Page 166 for more detail.
**-Non-Relubricable

See page 156 for trademark acknowledgments.

Set Screw



100

Browning[®]

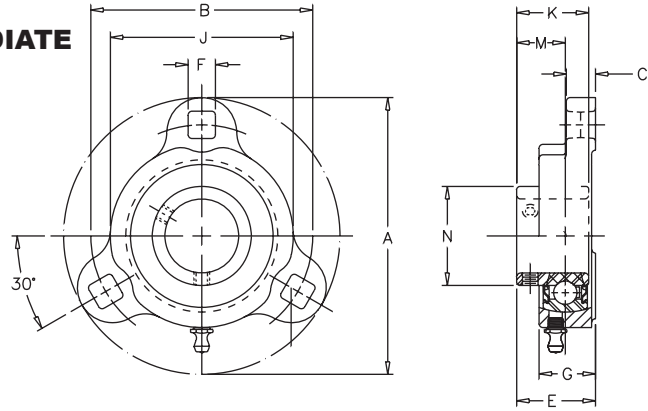
Ball Bearings

VF3S-100M

Lock: Set Screw
Seal: Contact
Housing: Ductile
Temperature: -20°F to 200°F
Self Alignment: ±1.5°
Inserts: VS-100
 Dimensions pg 47
 Ratings pg 48

V VALUE & QUALITY
F FLANGE
3 THREE BOLT
S SET SCREW

1 100
0 INTERMEDIATE
0 DUTY
M DUCTILE



Bore Size	Fitting
1/2" - 1 7/16"	1/4" - 28NF

SHAFT DIA. IN	UNIT NO.	BRG. NO.	Dimensions in Inches										UNIT WT.	
			A	B	C	E	F	G	J	K	M	N		
1/2	VF3S-108M	VS-108												
5/8	VF3S-110M	VS-110	3 3/16	2 1/2	13/32	31/32	19/64	5/8	1 15/16	15/16	5/8	31/32	.60	
3/4	VF3S-112M	VS-112	3 9/16	2 13/16	7/16	1 7/64	23/64	23/32	2 1/4	1 1/16	23/32	1 3/16	.81	
7/8	VF3S-114M	VS-114												
15/16	VF3S-115M	VS-115	3 3/4	3	7/16	1 3/16	23/64	25/32	2 1/2	1 7/64	49/64	1 3/8	1.05	
1	VF3S-116M	VS-116												
1 1/8	VF3S-118M	VS-118												
1 3/16	VF3S-119M	VS-119	4 7/16	3 9/16	15/32	1 17/64	27/64	29/32	2 15/16	1 5/32	25/32	1 19/32	1.50	
1 1/4	VF3S-120SM	VS-120S												
1 1/4	VF3S-120M	VS-120												
1 3/8	VF3S-122M	VS-122	4 13/16	3 15/16	1/2	1 25/64	27/64	31/32	3 3/8	1 9/32	55/64	1 55/64	2.00	
1 7/16	VF3S-123M	VS-123												

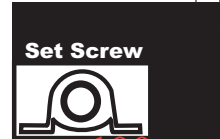
CROSS REFERENCE TO COMPETITORS PRODUCTS

REPLACES DODGE LF-SC		REPLACES SEALMASTER BRONZE LF	
	REPLACES LINK-BELT F-UG 200N*	REPLACES HUB CITY FB 150	REPLACES BOSTON XL3**

Refer to Interchange Section Page 166 for more detail.

*-3 Bolt Only

**-Non-Relubricable



Browning®

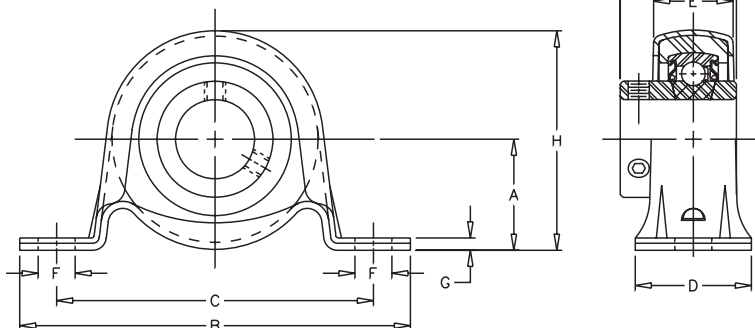
Ball Bearings

STAMPED S
 STEEL S
 RUBBER GROMMET R
 PILLOW BLOCK P
 SET SCREW S

SSRPS-100

Lock: Set Screw
 Seal: Contact
 Housing: Stamped Steel
 Rubber Grommet
 Temperature: -20°F to 200°F
 Inserts: LRS-100
 Page 45

100 1
 LIGHT 0
 DUTY 0



No Re-Lube

SHAFT DIA. IN.	MAX STEADY RADIAL LOAD LBS	UNIT NO.	Dimensions In Inches										UNIT WT.
			A	B	C	D	E	F	G	H	J	K	
3/4	250	SSRPS-112	1 1/8	4 1/4	3 3/8	1 1/4	27/32	7/16	1/8	2 13/64	1 7/32	13/16	0.6
7/8	300	SSRPS-114	1 5/16	4 5/8	3 3/4	1 3/8	61/64	7/16	5/32	2 19/32	1 3/8	55/64	0.8
15/16		SSRPS-115											
1		SSRPS-116											

CROSS REFERENCE TO COMPETITORS PRODUCTS

		REPLACES SEALMASTER BRONZE LRP	

Refer to Interchange Section Page 166 for more detail.

See page 156 for trademark acknowledgments.





100

Browning[®]

Ball Bearings

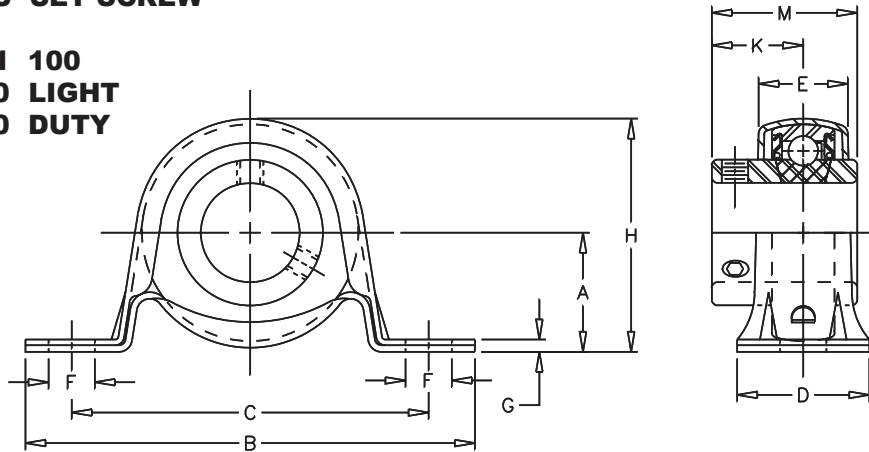
SSPS-100

Lock: Set Screw
Seal: Contact
Housing: Stamped Steel
Temperature: -20°F to 200°F
Inserts: LRS-100
 Dimensions pg 45

S STAMPED
S STEEL
P PILLOW BLOCK
S SET SCREW

1 100
0 LIGHT
0 DUTY

No Re-Lube



SHAFT DIA. IN.	MAX STEADY RADIAL LOAD LBS	UNIT NO.	BRG NO.	Dimensions In Inches										UNIT WT.
				A	B	C	D	E	F	G	H	K	M	
7/8	400	SSPS-114	LRS-114											
15/16		SSPS-115	LRS-115	1 1/8	4 1/4	3 3/8	1 1/4	27/32	7/16	1/8	2 13/64	7/8	1 3/8	0.6
1		SSPS-116	LRS-116											
1 1/8	600	SSPS-118	LRS-118											
1 3/16		SSPS-119	LRS-119	1 5/16	4 5/8	3 3/4	1 3/8	61/64	7/16	5/32	2 19/32	7/8	1 19/32	1.0
1 1/4		SSPS-120S	LRS-120S											

CROSS REFERENCE TO COMPETITORS PRODUCTS

REPLACES DODGE P2B-SL	REPLACES MB PS-25	REPLACES SEALMASTER BRONZE SSP	REPLACES NTN ASPP2
	REPLACES HUB CITY PB 100S		REPLACES BOSTON PS

Refer to Interchange Section Page 166 for more detail.

Browning®

Ball Bearings

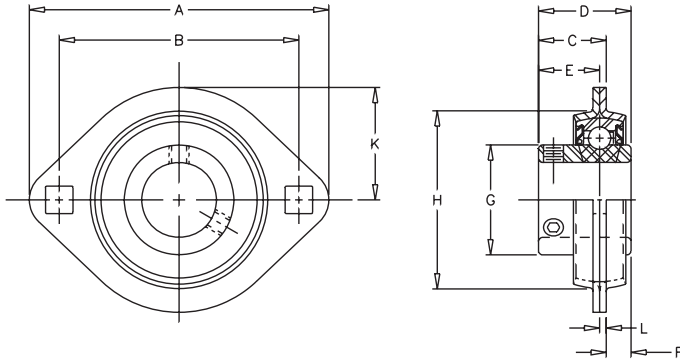


STAMPED S
 STEEL S
 FLANGE F
 TWO BOLT 2
 SET SCREW S

SSF2S-100

Lock: Set Screw
 Seal: Contact
 Housing: Stamped Steel
 Temperature: -20°F to 200°F
 Inserts: LS-100
 Dimensions pg 46

100 1
 LIGHT 0
 DUTY 0



No Re-Lube

SHAFT DIA. IN.	MAX STEADY RADIAL LOAD LBS.	UNIT NO.	BRG. NO.	Dimensions In Inches										BOLT SIZE	UNIT WT.
				A	B	C	D	E	F	G	H	K	L		
1/2	600	SSF2S-108	LS-108	3 3/16	2 1/2	45/64	15/16	5/8	15/64	31/32	1 47/64	1 1/8	.075	1/4	.6
5/8		SSF2S-110	LS-110												
3/4	600	SSF2S-112	LS-112	3 9/16	2 13/16	51/64	1 1/16	23/32	1/4	1 3/16	2 1/64	1 5/16	.083	5/16	.8
7/8	800	SSF2S-114	LS-114	3 3/4	3	55/64	1 7/64	49/64	1/4	1 3/8	2 7/32	1 13/32	.083	5/16	.9
15/16		SSF2S-115	LS-115												
1		SSF2S-116	LS-116												
1 1/8	1100	SSF2S-118	LS-118	4 7/16	3 9/16	57/64	1 5/32	25/32	17/64	1 19/32	2 21/32	1 21/32	.104	3/8	1.0
1 3/16		SSF2S-119	LS-119												
1 1/4		SSF2S-120S	LS-120S												

CROSS REFERENCE TO COMPETITORS PRODUCTS

REPLACES DODGE F2B-SL	REPLACES MB FPS2-25	REPLACES SEALMASTER BRONZE SSFT	REPLACES NTN ASPFL 2
	REPLACES LINK-BELT MST	REPLACES HUB CITY FB110S	REPLACES BOSTON PS2

Refer to Interchange Section Page 166 for more detail.

See page 156 for trademark acknowledgments.

Set Screw



100

SSF3S-100

Lock: Set Screw
 Seal: Contact
 Housing: Stamped Steel
 Temperature: -20°F to 200°F
 Inserts: LS-100
 Dimensions pg 46

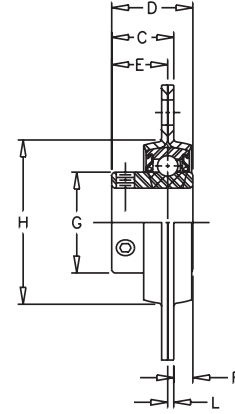
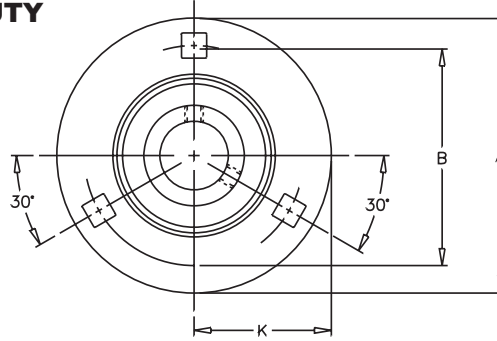
No Re-Lube

S STAMPED
S STEEL
F FLANGE
3 THREE BOLT
S SET SCREW

1 100
0 LIGHT
0 DUTY

Browning[®]

Ball Bearings



SHAFT DIA. IN.	MAX STEADY RADIAL LOAD LBS	UNIT NO.	BRG NO.	Dimensions In Inches										BOLT SIZE	UNIT WT.
				A	B	C	D	E	F	G	H	K	L		
3/4	700	SSF3S-112	LS-112	3 9/16	2 13/16	13/16	1 1/16	23/32	1/4	1 3/16	2 1/64	1 25/32	.083	5/16	1.0
7/8	800	SSF3S-114	LS-114	3 3/4	3	55/64	1 7/64	49/64	1/4	1 3/8	2 7/32	1 7/8	.083	5/16	1.3
15/16		SSF3S-115	LS-115												
1		SSF3S-116	LS-116												
1 1/8	1100	SSF3S-118	LS-118	4 7/16	3 9/16	57/64	1 5/32	25/32	17/64	1 19/32	2 21/32	2 7/16	.104	3/8	1.5
1 3/16		SSF3S-119	LS-119												
1 1/4		SSF3S-120S	LS-120S												
1 1/4	1400	SSF3S-120	LS-120	4 13/16	3 15/16	31/32	1 9/32	55/64	5/16	1 55/64	3 1/16	2 13/32	.104	3/8	1.8
1 3/8		SSF3S-122	LS-122												
1 7/16		SSF3S-123	LS-123												

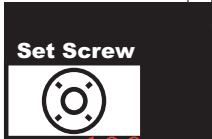
CROSS REFERENCE TO COMPETITORS PRODUCTS

REPLACES DODGE F3B-SL	REPLACES MB FPS3-25	REPLACES SEALMASTER BRONZE SSF	REPLACES NTN ASPF2
	REPLACES LINK-BELT MS*	REPLACES HUB CITY FB 100S	REPLACES BOSTON PS3

Refer to Interchange Section Page 166 for more detail.
 *-Bearings not included

Browning®

Ball Bearings



100

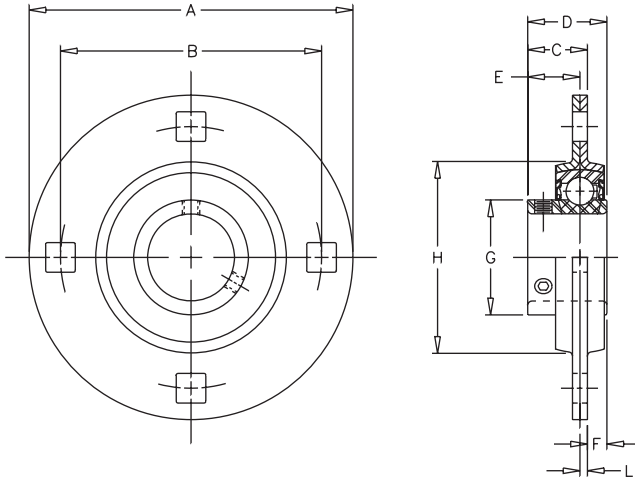
STAMPED S
 STEEL S
 FLANGE F
 FOUR BOLT 4
 SET SCREW S

SSF4S-100

Lock: Set Screw
 Seal: Contact
 Housing: Stamped Steel
 Temperature: -20°F to 200°F
 Inserts: LS-100
 Dimensions pg 46

100 1
 LIGHT 0
 DUTY 0

No Re-Lube



SHAFT DIA. IN.	MAX STEADY RADIAL LOAD LBS.	UNIT NO.	BRG NO.	Dimensions In Inches									BOLT SIZE	UNIT WT.
				A	B	C	D	E	F	G	H	L		
1 1/2	1700	SSF4S-124	LS-124	5 13/16	4 11/16	1 5/64	1 27/64	15/16	11/32	2 1/16	3 7/16	.134	1/2	3.5
1 11/16	1700	SSF4S-127	LS-127	5 7/8	4 3/4	1 3/32	1 7/16	61/64	11/32	2 19/64	3 5/8	.134	1/2	3.9
1 3/4		SSF4S-128	LS-128											
1 15/16	1900	SSF4S-131	LS-131	6 1/8	5	1 3/16	1 35/64	1 3/64	23/64	2 15/32	3 27/32	.149	1/2	4.0

CROSS REFERENCE TO COMPETITORS PRODUCTS

REPLACES DODGE F4B-SL	REPLACES MB TFPS3	REPLACES SEALMASTER BRONZE SSFF	
	REPLACES LINK-BELT MSC*		

Refer to Interchange Section Page 166 for more detail.
 *-Bearings not included

See page 156 for trademark acknowledgments.

Set Screw



100

SSF3TS-100

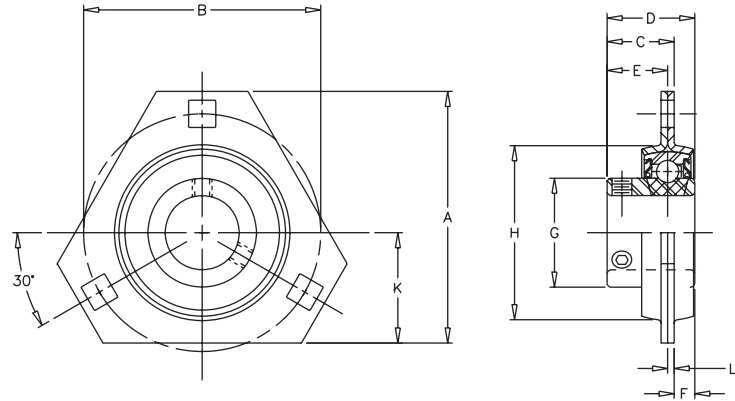
Lock: Set Screw
 Seal: Contact
 Housing: Stamped Steel
 Temperature: -20°F to 200°F
 Inserts: LS-100
 Dimensions pg 46

No Re-Lube

S STAMPED
S STEEL
F FLANGE
3 THREE BOLT
T TRIANGULAR
S SET SCREW

1 100
0 LIGHT
0 DUTY

Browning® Ball Bearings



SHAFT DIA. IN.	MAX STEADY RADIAL LOAD LBS.	UNIT NO.	BRG NO.	Dimensions In Inches										BOLT SIZE	UNIT WT.
				A	B	C	D	E	F	G	H	K	L		
3/4	700	SSF3TS-112	LS-112	3	2 13/16	51/64	1 1/16	23/32	11/32	1 3/16	2 1/32	1 5/16	.083	5/16	1.0
7/8	800	SSF3TS-114	LS-114	3 1/8	3	27/32	1 7/64	49/64	11/32	1 3/8	2 7/32	1 3/8	.083	5/16	1.1
15/16		SSF3TS-115	LS-115												
1		SSF3TS-116	LS-116												
1 1/8	1100	SSF3TS-118	LS-118	3 11/16	3 9/16	57/64	1 5/32	25/32	3/8	1 19/32	2 21/32	1 1/2	.104	3/8	1.3
1 3/16		SSF3TS-119	LS-119												
1 1/4		SSF3TS-120S	LS-120S												

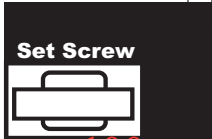
CROSS REFERENCE TO COMPETITORS PRODUCTS

	REPLACES MB TFPS3-25	REPLACES SEALMASTER BRONZE TSSF	
	REPLACES LINK-BELT MSTR*		

Refer to Interchange Section Page 166 for more detail.
 *-Bearing not included

Browning®

Ball Bearings



100

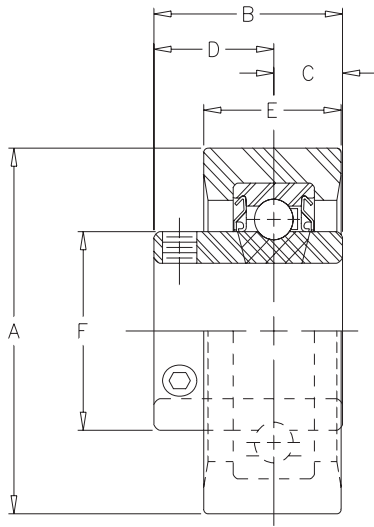
RUBBER R
GROMMET U
STRAIGHT OD B
INSERT R
SET SCREW S

RUBRS-100

Lock: Set Screw
Seal: Contact
Housing: Rubber Grommet
Temperature: -20°F to 200°F
Inserts: SLS-100
 Dimensions pg 44

100 1
LIGHT 0
DUTY 0

No Re-Lube



SHAFT DIA. IN.	MAX STEADY RADIAL LOAD LBS.	UNIT NO.	BRG. NO.	Dimensions In Inches						UNIT WT.
				A	B	C	D	E	F	
1/2	250	RUBRS-108	SLRS-108	2 17/32	1 9/32	13/32	7/8	1	1 3/16	0.5
5/8		RUBRS-110	SLRS-110							
3/4		RUBRS-112	SLRS-112							
15/16	300	RUBRS-115	SLRS-115	2 17/32	1 3/8	1/2	7/8	1	1 3/8	0.64
1		RUBRS-116	SLRS-116							

CROSS REFERENCE TO COMPETITORS PRODUCTS

	REPLACES MB RER		

Refer to Interchange Section Page 166 for more detail.

See page 156 for trademark acknowledgments.

Set Screw



100

SLS-100

Lock: Set Screw
 Seal: Contact
 Temperature: -20°F to 200°F
 Ratings: Page 48

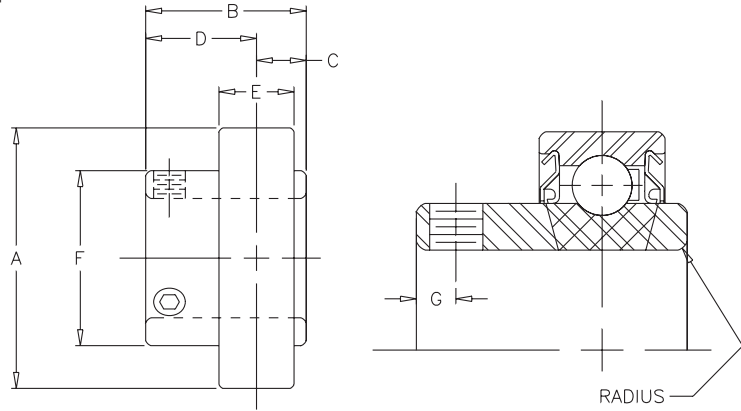
No Re-Lube

S STRAIGHT OD
L LUBED INSERT
S SET SCREW

1 100
0 LIGHT
0 DUTY

Browning[®]

Ball Bearings



SHAFT DIA. IN.	BRG. NO.	Dimensions In Inches								SET SCREW TAP	UNIT WT.
		A	B	C	D	E	F	G	RADIUS		
1/2	SLS-108	40MM	15/16	5/16	5/8	33/64	31/32	5/32	.055	10-32	.4
5/8	SLS-110	1.5748									
3/4	SLS-112	47MM 1.8504	1 1/16	11/32	23/32	19/32	1 3/16	3/16	.070	1/4-28	.5
7/8	SLS-114	52MM	1 7/64	11/32	49/64	19/32	1 3/8	3/16	.070	1/4-28	.6
15/16	SLS-115	2.0472									
1	SLS-116										
1 1/8	SLS-118	62MM	1 5/32	3/8	25/32	45/64	1 19/32	7/32	.080	1/4-28	1.0
1 3/16	SLS-119	2.4409									
1 1/4	SLS-120S										
1 1/4	SLS-120	72MM	1 9/32	27/64	55/64	3/4	1 55/64	1/4	.080	5/16-24	1.6
1 3/8	SLS-122	2.8346									
1 7/16	SLS-123										
1 1/2	SLS-124	80MM 3.1496	1 27/64	31/64	15/16	55/64	2 1/16	9/32	.095	5/16-24	1.8

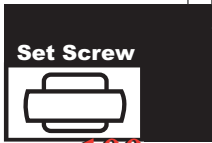
CROSS REFERENCE TO COMPETITORS PRODUCTS

	REPLACES MB MSL/MSLN	REPLACES SEALMASTER BRONZE SL	
	REPLACES LINK-BELT SB 200EL		

Refer to Interchange Section Page 166 for more detail.

Browning®

Ball Bearings



100

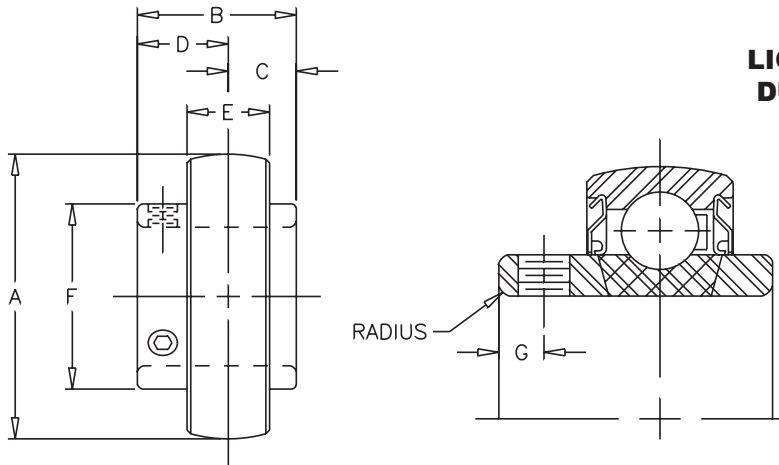
LUBED L
INSERT R
SET SCREW S

100 1
LIGHT 0
DUTY 0

LRS-100

Lock: Set Screw
Seal: Contact
Temperature: -20°F to 200°F
Ratings: Page 48

No Re-Lube



SHAFT DIA. IN.	BRG NO.	Dimensions In Inches							RADIUS	SET SCREW TAP	UNIT WT.
		A	B	C	D	E	F	G			
3/4	LRS-112	47MM 1.8504	1 7/32	13/32	13/16	19/32	1 3/16	3/16	.040	1/4-28	.4
7/8	LRS-114	52MM	1 3/8	33/64	55/64	19/32	1 3/8	7/32	.040	1/4-28	.5
15/16	LRS-115	2.0472									
1	LRS-116										
1 1/8	LRS-118	62MM	1 1/2	5/8	7/8	45/64	1 19/32	7/32	.040	1/4-28	.9
1 3/16	LRS-119	2.4409									
1 1/4	LRS-120S										

CROSS REFERENCE TO COMPETITORS PRODUCTS

For insert interchange information, contact EPT Mounted Bearing Technical Support.
See page 260 for contact information.

Set Screw



100

LS-100

Lock: Set Screw
 Seal: Contact
 Temperature: -20°F to 200°F
 Ratings: Page 48

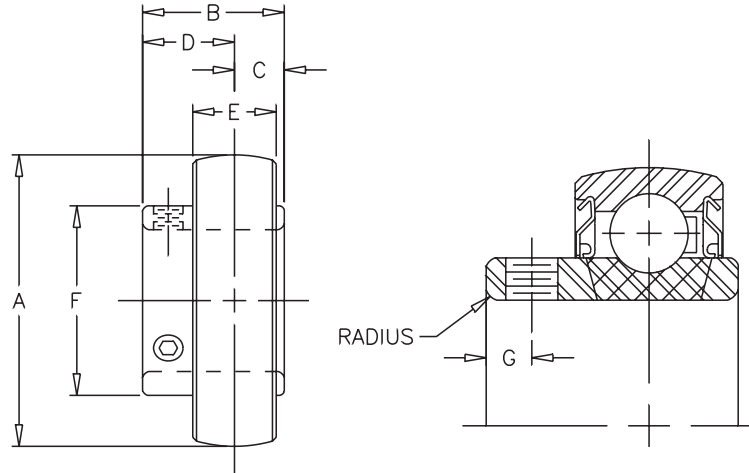
No Re-Lube

L LUBED INSERT
S SET SCREW

1 100
0 LIGHT
0 DUTY

Browning[®]

Ball Bearings



SHAFT DIA. IN.	BRG. NO.	Dimensions In Inches								SET SCREW TAP	UNIT WT.
		A	B	C	D	E	F	G	RADIUS		
1/2	LS-108	40MM	15/16	5/16	5/8	33/64	31/32	5/32	.055	10-32	.4
5/8	LS-110	1.5748									
3/4	LS-112	47MM 1.8504	1 1/16	11/32	23/32	19/32	1 3/16	3/16	.070	1/4-28	.5
7/8	LS-114	52MM	1 7/64	11/32	49/64	19/32	1 3/8	3/16	.070	1/4-28	.6
15/16	LS-115	2.0472									
1	LS-116										
1 1/8	LS-118	62MM	1 5/32	3/8	25/32	45/64	1 19/32	7/32	.080	1/4-28	1.0
1 3/16	LS-119	2.4409									
1 1/4	LS-120S										
1 1/4	LS-120	72MM	1 9/32	27/64	55/64	3/4	1 55/64	1/4	.080	5/16-24	1.6
1 3/8	LS-122	2.8346									
1 7/16	LS-123										
1 1/2	LS-124	80MM 3.1496	1 27/64	31/64	15/16	55/64	2 1/16	9/32	.095	5/16-24	1.8
1 11/16	LS-127	85MM	1 7/16	31/64	61/64	55/64	2 19/64	5/16	.110	5-16-24	1.4
1 3/4	LS-128	3.3465									
1 15/16	LS-131	90MM 3.5433	1 35/64	1/2	1 3/64	29/32	2 15/32	3/8	.110	3/8-24	1.6

CROSS REFERENCE TO COMPETITORS PRODUCTS

For insert interchange information, contact EPT Mounted Bearing Technical Support.
 See page 260 for contact information.



Ball Bearings

VALUE & QUALITY V
SET SCREW S

VS-100



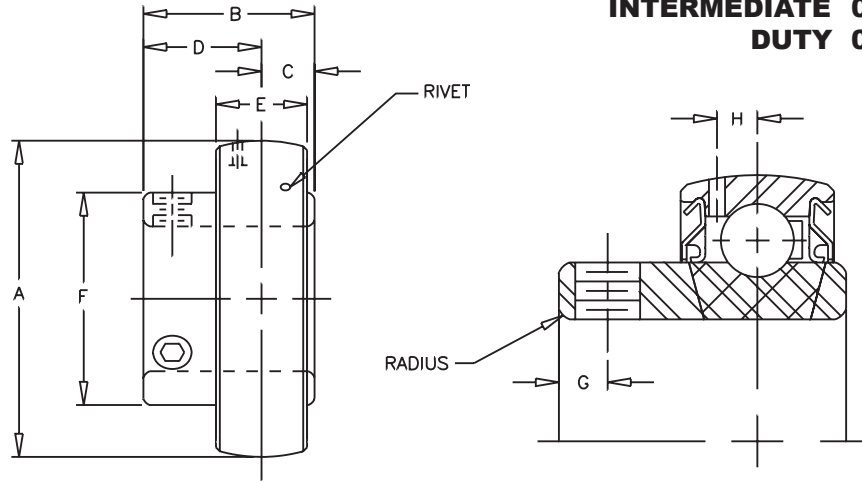
100

100 1

INTERMEDIATE 0

DUTY 0

Lock: Set Screw
Seal: Contact
Temperature: -20°F to 200°F
Ratings: Page 48



SHAFT DIA. IN	BRG NO.	Dimensions in Inches									SET SCREW TAP	UNIT WT.
		A	B	C	D	E	F	G	H	RADIUS		
1/2	VS-108	40MM	15/16	5/16	5/8	.512	31/32	5/32	9/64	.055	10-32	.3
5/8	VS-110	1.5748										
3/4	VS-112	47MM 1.8504	1 1/16	11/32	23/32	.591	1 3/16	3/16	5/32	.070	1/4-28	.4
7/8	VS-114	52MM	1 7/64	11/32	49/64	.591	1 3/8	3/16	5/32	.070	1/4-28	.5
15/16	VS-115	2.0472										
1	VS-116											
1 1/8	VS-118	62MM	1 5/32	3/8	25/32	.709	1 19/32	7/32	13/64	.080	1/4-28	.7
1 3/16	VS-119	2.4409										
1 1/4	VS-120S											
1 1/4	VS-120	72MM	1 9/32	27/64	55/64	.748	1 55/64	1/4	15/64	.080	5/16-24	1.0
1 3/8	VS-122	2.8346										
1 7/16	VS-123											
1 1/2	VS-124	80MM 3.1496	1 27/64	31/64	15/16	.866	2 1/16	9/32	17/64	.095	5/16-24	1.2
1 11/16	VS-127	85MM	1 7/16	31/64	61/64	.866	2 19/64	5/16	17/64	.110	5/16-24	1.4
1 3/4	VS-128	3.3465										
1 15/16	VS-131	90MM	1 35/64	1/2	1 3/64	.906	2 15/32	3/8	9/32	.110	3/8-24	1.6
2	VS-132S	3.5433										
2	VS-132	100MM	1 21/32	35/64	1 7/64	.984	2 23/32	3/8	5/16	.125	3/8-24	2.2
2 3/16	VS-135	3.9370										

CROSS REFERENCE TO COMPETITORS PRODUCTS

For insert interchange information, contact EPT Mounted Bearing Technical Support.
See page 260 for contact information.



Browning®

Ball Bearings

100 SERIES RATINGS

This chart displays all 100 series ball bearings' load capacity for a given L10 life, speed, and shaft size. Values in the table represent loads at ideal conditions with press fit mounting to the shaft. ABMA recommends de-rating of slip fit mounted bearings. To obtain de-rated load, divide load in table by 1.3. Values in the table represent equivalent radial loads only. For combined load determination, see **THE BEARING SELECTION SECTION**, page 266. Areas designated by “—” exceed maximum speed values.

Match Bore Size

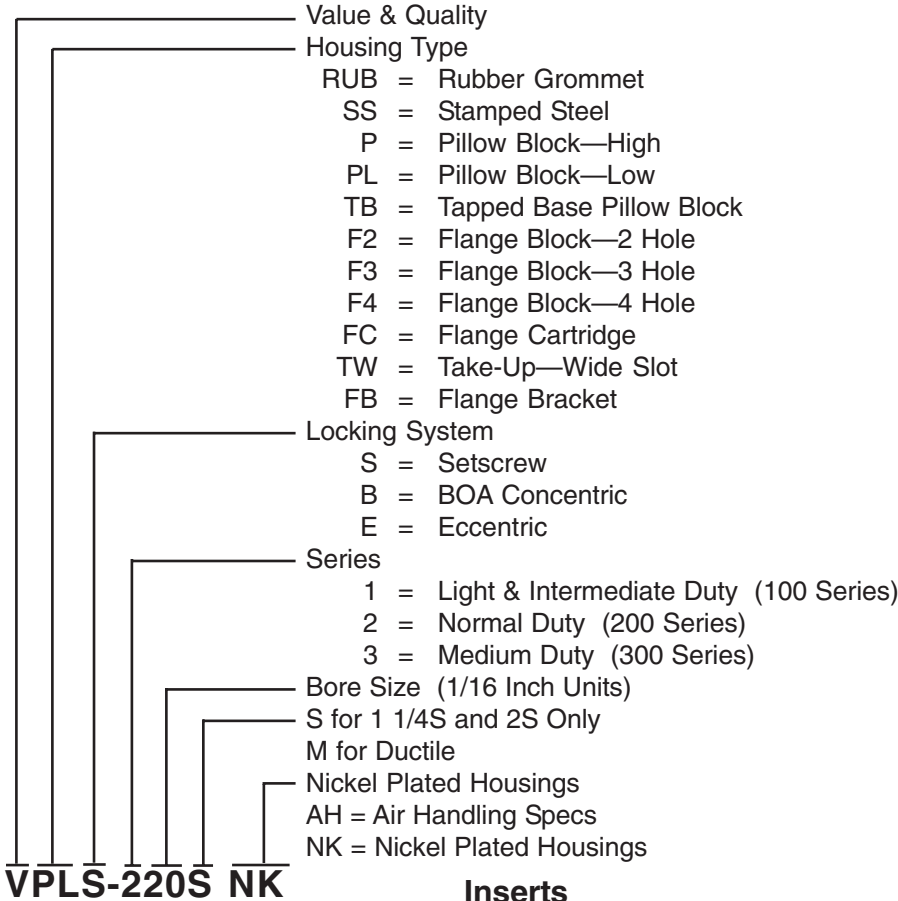
100 Shaft Size	L10 HOURS	REVOLUTIONS PER MINUTE																	
		50	150	250	500	750	1000	1500	1750	2000	2500	3000	3500	4000	45000	5000	5500		
1/2	5000	315	315	315	315	315	315	275	250	218	207	198	184	173	165	157	151	146	—
	10000	315	315	315	315	275	250	218	207	198	184	173	165	157	151	146	—	—	—
	250	315	315	275	218	191	173	151	144	138	128	120	114	109	105	101	—	—	—
	50000	315	275	232	184	161	146	128	121	116	108	101	96	92	89	85	—	—	—
275	100000	315	218	184	146	128	116	101	96	92	85	80	76	73	70	68	—	—	—
	5000	390	390	390	390	390	390	341	324	310	287	270	257	246	—	—	—	—	—
	10000	390	390	390	390	341	310	270	257	246	228	215	204	195	—	—	—	—	—
	30000	390	390	341	270	236	215	188	178	170	158	149	141	135	—	—	—	—	—
3/4	50000	390	341	287	228	199	181	158	150	144	133	126	119	114	—	—	—	—	—
	100000	390	270	228	181	158	144	126	119	114	106	100	95	91	—	—	—	—	—
	5000	418	418	418	418	418	418	366	347	332	308	290	276	—	—	—	—	—	—
	10000	418	418	418	418	366	332	290	279	264	245	230	219	—	—	—	—	—	—
7/8	30000	418	418	366	290	253	230	201	191	183	170	160	152	—	—	—	—	—	—
	50000	418	366	308	245	214	194	170	161	154	143	135	128	—	—	—	—	—	—
	100000	418	290	245	194	170	154	135	128	122	114	107	102	—	—	—	—	—	—
	5000	654	654	654	654	654	654	572	543	519	482	454	—	—	—	—	—	—	—
1 1/8	10000	654	654	654	654	572	519	454	431	412	383	360	—	—	—	—	—	—	—
	30000	654	654	572	454	396	360	315	299	286	265	250	—	—	—	—	—	—	—
	50000	654	572	482	383	334	304	265	252	241	224	211	—	—	—	—	—	—	—
	100000	654	454	383	304	255	241	211	200	191	178	167	—	—	—	—	—	—	—
1 3/16	5000	864	864	864	864	864	864	755	717	686	636	—	—	—	—	—	—	—	—
	10000	864	864	864	864	755	686	599	569	544	505	—	—	—	—	—	—	—	—
	30000	864	864	755	599	523	475	415	394	377	350	—	—	—	—	—	—	—	—
	50000	864	755	636	505	441	401	350	333	318	295	—	—	—	—	—	—	—	—
1 7/16	100000	864	599	505	401	350	318	278	264	253	234	—	—	—	—	—	—	—	—
	5000	1096	1096	1096	1096	1096	1096	958	910	870	808	—	—	—	—	—	—	—	—
	10000	1096	1096	1096	1096	958	870	760	722	691	641	—	—	—	—	—	—	—	—
	30000	1096	1096	958	760	664	603	527	501	479	445	—	—	—	—	—	—	—	—
1 1/2	50000	1096	958	808	641	560	509	445	422	404	375	—	—	—	—	—	—	—	—
	100000	1096	760	641	509	445	404	353	335	321	298	—	—	—	—	—	—	—	—
	5000	1180	1180	1180	1180	1180	1180	1031	979	937	—	—	—	—	—	—	—	—	—
	10000	1180	1180	1180	1180	1031	937	818	777	744	—	—	—	—	—	—	—	—	—
1 3/4	30000	1180	1180	1031	818	715	650	567	539	516	—	—	—	—	—	—	—	—	—
	50000	1180	1031	870	690	603	548	479	455	435	—	—	—	—	—	—	—	—	—
	100000	1180	818	690	548	479	435	380	361	345	—	—	—	—	—	—	—	—	—
	5000	1178	1178	1178	1178	1178	1178	1029	978	935	—	—	—	—	—	—	—	—	—
1 15/16	10000	1178	1178	1178	1178	1029	935	817	776	742	—	—	—	—	—	—	—	—	—
	30000	1178	1178	1029	817	714	649	567	538	515	—	—	—	—	—	—	—	—	—
	50000	1178	1029	868	689	602	547	478	454	434	—	—	—	—	—	—	—	—	—
	100000	1178	817	689	547	478	434	379	360	345	—	—	—	—	—	—	—	—	—
2	5000	1457	1457	1457	1457	1457	1457	1273	1209	—	—	—	—	—	—	—	—	—	—
	10000	1457	1457	1457	1457	1273	1156	1010	959	—	—	—	—	—	—	—	—	—	—
	30000	1457	1457	1273	1010	882	802	700	665	—	—	—	—	—	—	—	—	—	—
	50000	1457	1273	1073	852	744	676	591	561	—	—	—	—	—	—	—	—	—	—
2 3/16	100000	1457	1010	852	676	591	537	469	445	—	—	—	—	—	—	—	—	—	—



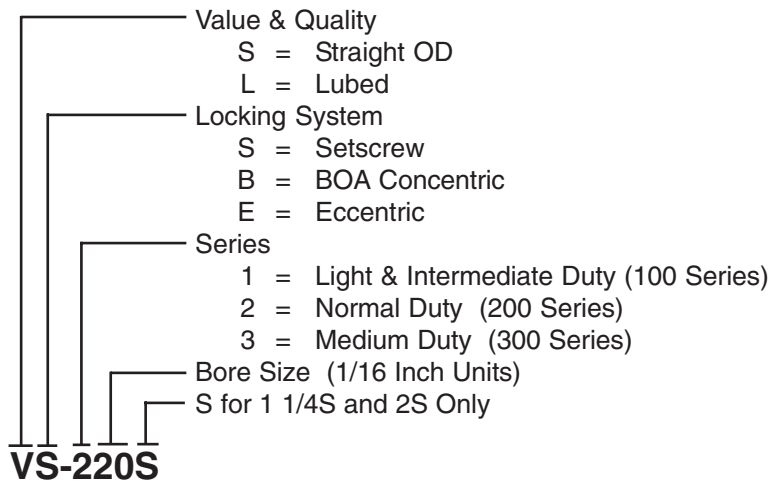
Ball Bearings

Nomenclature Part Number Explanation

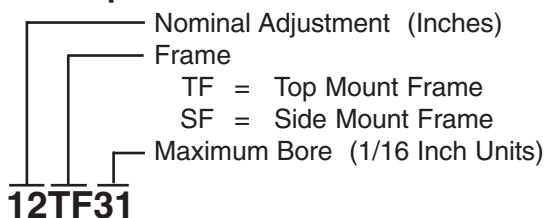
Mounted Units



Inserts

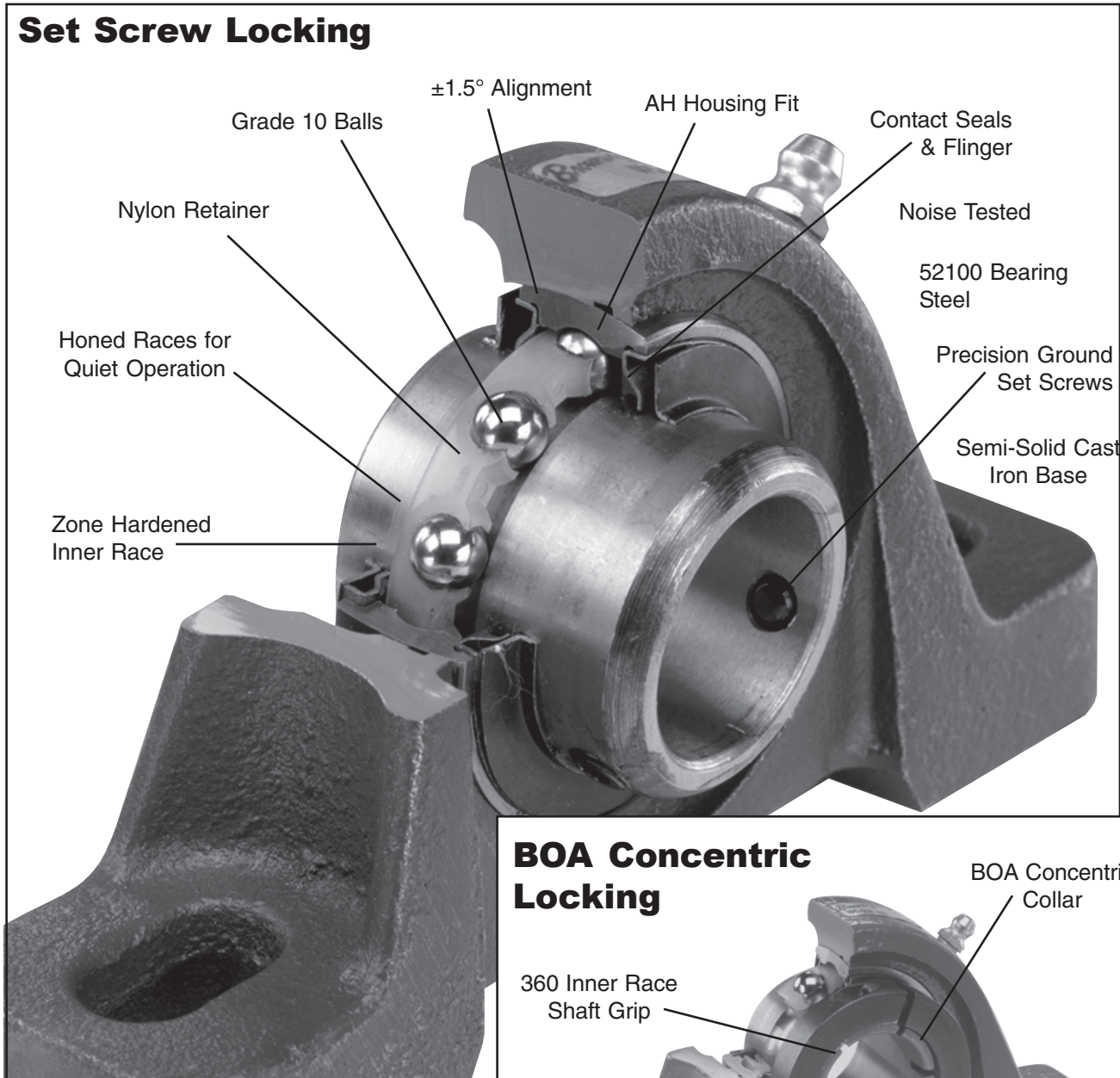


Take-Up Frames

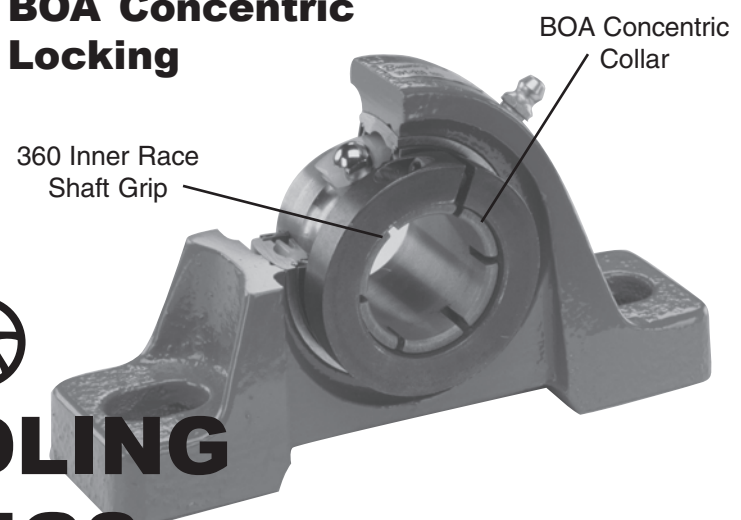


See page 156 for trademark acknowledgments.

Browning® Ball Bearings



BOA Concentric Locking



BROWNING AH AIR HANDLING BALL BEARINGS FEATURES/BENEFITS

REDUCED VIBRATION AND QUIETER OPERATION



BROWNING

“AH”

AIR HANDLING BALL BEARINGS

FEATURES/BENEFITS

SERIES

Popular shaft sizes and housing configurations in the normal and medium duty series are available “off-the-shelf” with air handling features (designated by the AH suffix). These products are offered with both set screw style locking and the increasingly popular BOA concentric 360° locking collar. AH bearings are segmented into two series: Normal duty for general purpose use and Medium Duty for heavier loads.

Popular “AH” Sizes and configurations available with set screw and BOA

200 = Normal duty

300 = Medium duty

Look for the 

PRODUCT OVERVIEW

Browning moves air! Browning bearing products have long been specified by the nation’s leading OEMs of HVAC and air handling equipment. From agricultural fans to up blast restaurant exhaust ventilators to unitary rooftop systems to rugged material handling and cooling tower applications Browning bearings have proven reliable to economically meet customer needs.

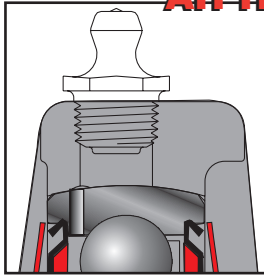
Now Browning offers specially designed “AH” Air Handling Bearings as stock product available “off-the-shelf”! The “AH” suffix designation means mounted bearings with a specially controlled “bearing-to-housing fit” and 100% noise tested utilizing state-of-the-art equipment.

To specify add “AH” i.e. VPS-216 AH

ECCENTRIC pg 70

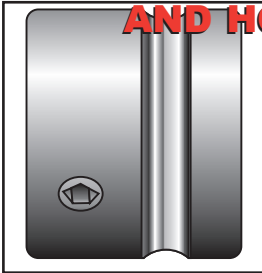
BOA Concentric pg 52

AH HOUSING FIT



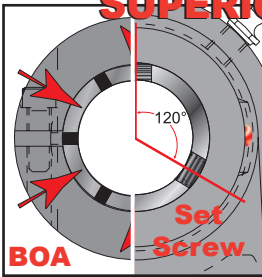
Air handling AH ball bearings are manufactured with a special AH housing fit that allows the bearing more easily self-align when mounted on lightweight frames.

PRECISION HARDENED AND HONED RINGS



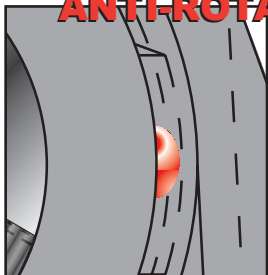
Inner rings are zone hardened to maintain ballpath hardness while keeping inner ring extension soft for a precision set screw hold. Both ballpaths are honed for quieter operation and less vibration.

SUPERIOR LOCKING



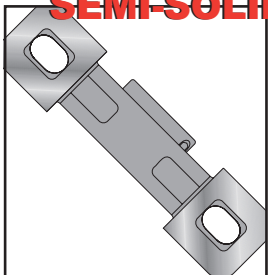
Browning superior locking devices both perform well with air handlers. The 120° set screw positioning combined with a zone hardened inner race and precision ground threads offers excellent reliability. The new BOA concentric especially reduces noise and vibration.

ANTI-ROTATION RIVET



An anti-rotation rivet prevents outer ring creep or rotation within the housing. This reduces heat buildup and prolongs useful bearing life.

SEMI-SOLID CAST IRON BASE

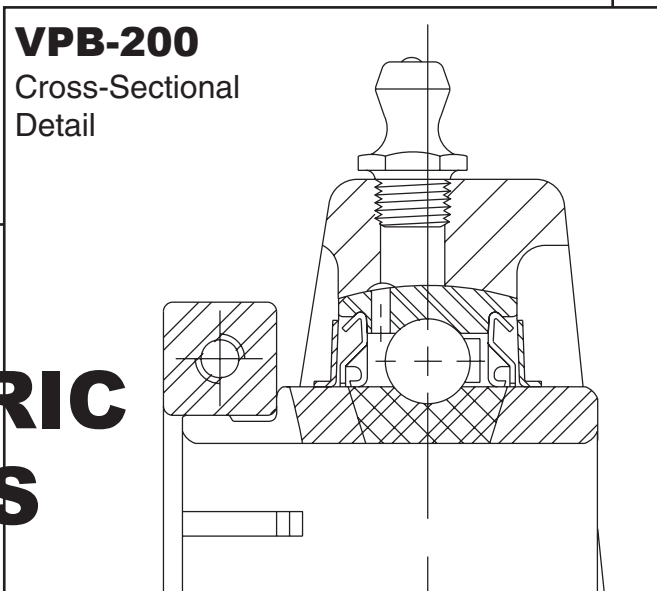
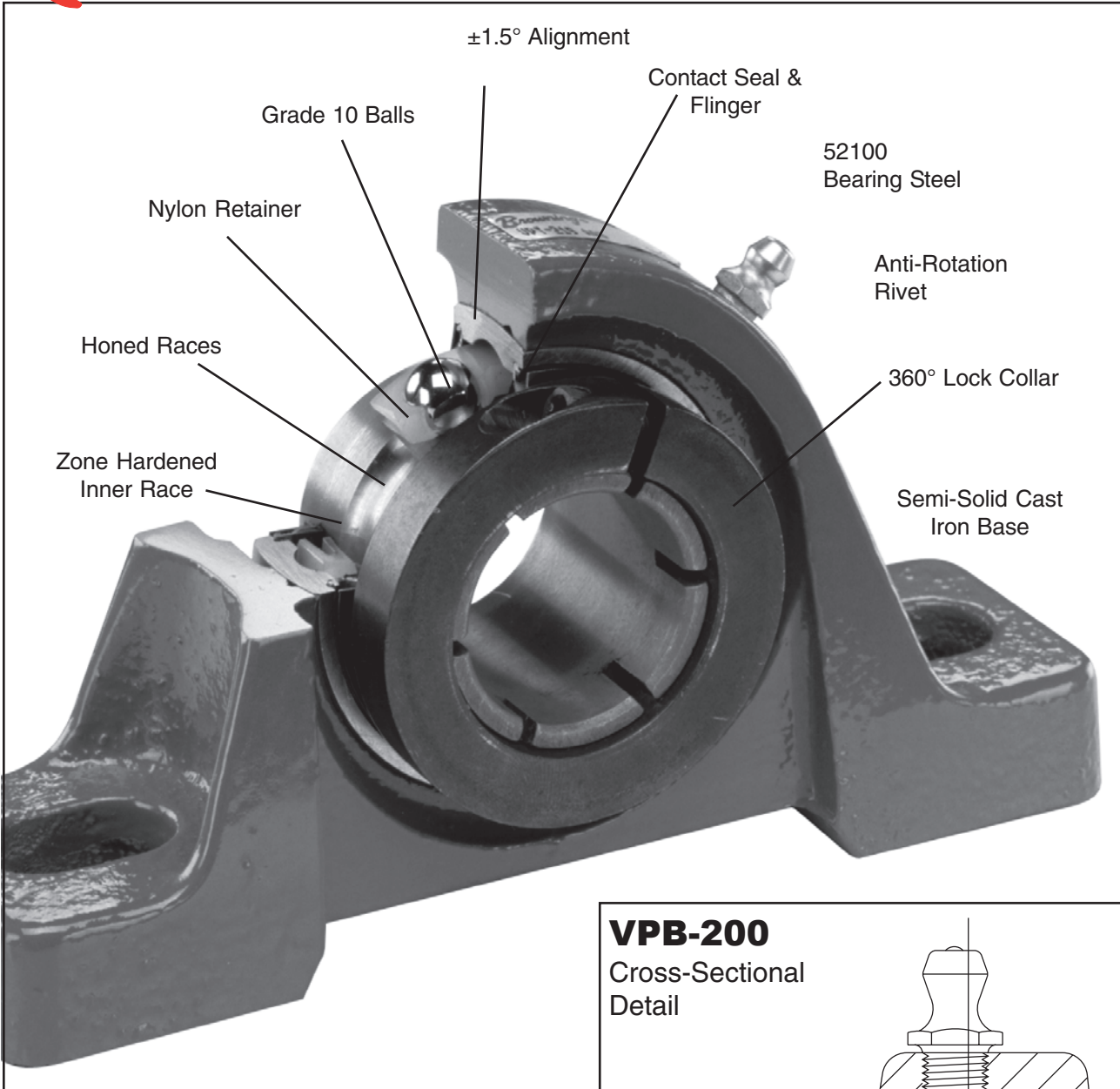


The rugged base design provides an excellent mounting foundation. This is integral to prevent sheet metal “buckling.”

NOISE TESTED

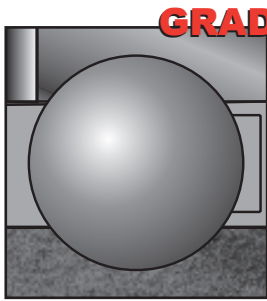
An extra noise test check point is added to guarantee bearings meet the exacting noise level needs of the air handling industry.

See page 156 for trademark acknowledgments.



BROWNING BOA CONCENTRIC BALL BEARINGS

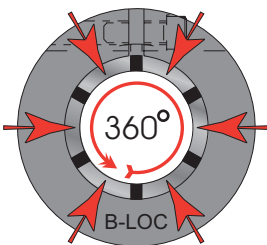
FEATURES/BENEFITS



GRADE 10 BALLS

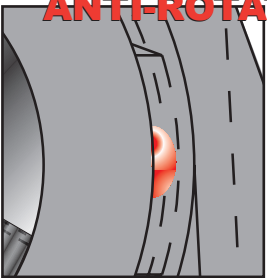
For quieter operation and less vibration. Manufactured with high quality 52100 steel.

SUPERIOR 360 LOCKING



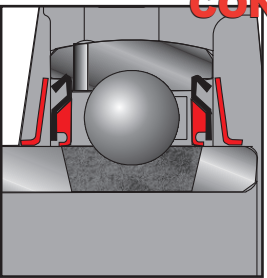
The Browning BOA concentric collar with a single cap screw provides excellent holding power. The collar is installed over the slotted inner ring on the shaft concentrically. Designed for no shaft marring or burring with minimal run out for less vibration.

ANTI-ROTATION RIVET



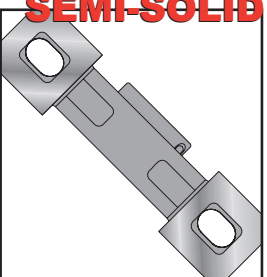
An anti-rotation rivet prevents outer ring creep or rotation within the housing. This reduces heat buildup and prolongs useful bearing life.

CONTACT SEAL



Positive contact molded rubber lip with an auxiliary flinger for proven effective sealing against contaminants.

SEMI-SOLID CAST IRON BASE



The rugged base design provides an excellent mounting foundation. This is integral to prevent sheet metal "buckling."

PRECISION HARDENED AND HONED RINGS

Inner rings are zone hardened to maintain ballpath hardness while keeping inner ring extension soft for a precision fit with the concentric collar. Both ballpaths are honed for quieter operation and less vibration. See cross-section detail – left.

See page 156 for trademark acknowledgments.

Browning BOA CONCENTRIC BALL BEARINGS

FEATURES/BENEFITS

SERIES

Browning BOA concentric ball bearings are segmented into two series: normal duty for general purpose use and medium duty for heavier loads.

200 = Normal duty

300 = Medium duty

SELECT FEATURES

Browning BOA concentric ball bearings incorporate a unique concentric locking collar design for better grip on the shaft and less vibration during operation. The BOA-LOC concentric clamp collar, with a single cap screw, provides increased reliability without marring or burring the shaft. The 360° clamping force reduces vibration through improved concentricity.

RELATED PRODUCTS

Browning offers BOA concentric "off-the-shelf" in popular Air Handling pillow block shaft sizes ranging from 3/4" to 2 7/16". Air Handling features may be added to other Browning B-loc units simply by designating "AH" as a suffix to the base nomenclature. Example: VF2B 216 AH. Contact Browning for availability of non stock AH units.


Look for the  See page 50 for details.

TABLE OF CONTENTS

200 Series Standard Duty

Pillow Blocks Cast Iron	54-55
2-Bolt Flanges Cast Iron	56
4-Bolt Flanges Cast Iron	57
Tapped Base Cast Iron	58
Flange Brackets Cast Iron	59
Flange Cartridges Cast Iron	61
Inserts	62

300 Series Medium Duty

Pillow Blocks Cast Iron	64
2-Bolt Flanges Cast Iron	65
4-Bolt Flanges Cast Iron	66
Flange Cartridges Cast Iron	67
Inserts	68

SET SCREW	4
ECCENTRIC	70



200

Browning[®]

BOA CONCENTRIC

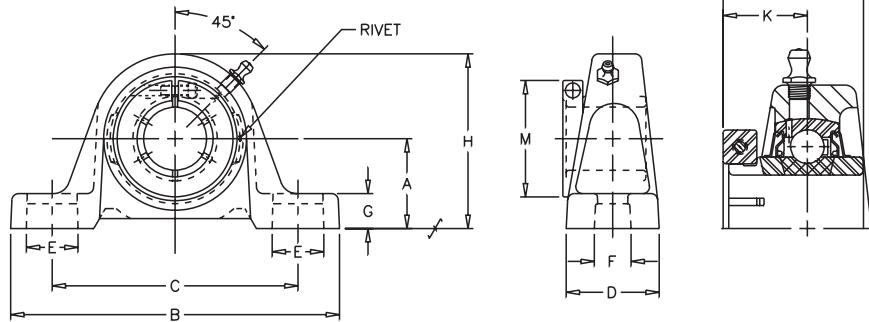
VPB-200

Lock: BOA Concentric
Seal: Contact
Housing: Cast Iron
Temperature: -20°F to 200°F
Self Alignment: ±1.5°
Insert: VB-200
 Dimensions pg 62
 Ratings pg 63

V VALUE & QUALITY
P PILLOW BLOCK
B BOA

2 200
0 NORMAL
0 DUTY

Bore Size	Fitting
3/4" - 1 1/4" S	1/4" - 28NF
1 1/4" - 2 7/16"	1/8" NPT



SHAFT DIA. IN.	UNIT NO.	BRG. NO.	Dimensions in Inches													BOLT SIZE IN	UNIT WT.
			A	B	C		D	E	F	G	H	J	K	M			
					MIN.	MAX.											
⊗ 3/4	VPB-212	VB-212	1 5/16	5	3 3/8	4 3/16	1 11/32	25/32	7/16	17/32	2 17/32	1 9/32	25/32	1 3/4	3/8	1.60	
⊗ 7/8	VPB-214	VB-214															
⊗ 15/16	VPB-215	VB-215	1 7/16	5 1/2	3 11/16	4 9/16	1 13/32	13/16	7/16	19/32	2 13/16	1 7/16	7/8	1 15/16	3/8	1.90	
⊗ 1	VPB-216	VB-216															
⊗ 1 1/8	VPB-218	VB-218															
⊗ 1 3/16	VPB-219	VB-219	1 11/16	6 3/16	4 3/16	5 1/16	1 3/4	15/16	9/16	21/32	3 9/32	1 9/16	15/16	2 3/16	1/2	2.90	
⊗ 1 1/4	VPB-220S	VB-220S															
⊗ 1 1/4	VPB-220	VB-220												2 7/16			
⊗ 1 3/8	VPB-222	VB-222	1 7/8	6 3/4	4 5/8	5 3/8	1 3/4	7/8	9/16	23/32	3 11/16	1 3/4	1 1/16	2 9/16	1/2	3.80	
⊗ 1 7/16	VPB-223	VB-223															
⊗ 1 1/2	VPB-224	VB-224	2	7 1/8	4 7/8	5 7/8	1 15/16	1	9/16	13/16	4	2	1 1/4	2 11/16	1/2	4.90	
⊗ 1 5/8	VPB-226	VB-226												2 13/16			
⊗ 1 11/16	VPB-227	VB-227	2 1/8	7 3/8	5 1/4	6 1/16	2	29/32	9/16	3/4	4 1/4	2	1 1/4	2 15/16	1/2	5.60	
⊗ 1 3/4	VPB-228	VB-228															
⊗ 1 15/16	VPB-231	VB-231	2 1/4	8	5 7/8	6 1/2	2 3/16	15/16	11/16	3/4	4 9/16	2 3/32	1 11/32	3 3/8	5/8	6.20	
⊗ 2	VPB-232S	VB-232S															
⊗ 2	VPB-232	VB-232	2 1/2	8 13/16	6 7/16	7 7/16	2 5/16	1						3 1/2			
⊗ 2 3/16	VPB-235	VB-235	2 1/2	8 13/16	6 7/16	7 7/16	2 5/16	1	11/16	7/8	4 31/32	2 1/4	1 3/8	3 5/8	5/8	8.00	
⊗ 2 1/4	VPB-236	VB-236	2 3/4	9 1/2	6 7/8	7 15/16	2 3/8	1 5/32	11/16	7/8	5 9/16	2 5/8	1 5/8	4 1/16			
⊗ 2 7/16	VPB-239	VB-239	2 3/4	9 1/2	6 7/8	7 15/16	2 3/8	1 5/32	11/16	7/8	5 9/16	2 5/8	1 5/8	4 1/8	5/8	10.10	

⊗ Air Handling (AH) To order specify AH suffix, i.e. VPB-216 AH (see page 50)

CROSS REFERENCE TO COMPETITORS PRODUCTS

REPLACES DODGE P2B-DL	REPLACES MB KC-45/25		
AH REPLACES DODGE P2B-DLAH			

Refer to Interchange Section Page 166 for more detail.





200

Browning

BOA CONCENTRIC

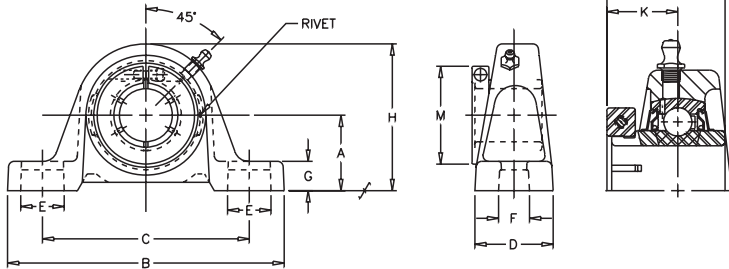
VALUE & QUALITY
V PILLOW BLOCK P
LOW BASE L
BOA B

200 2
NORMAL 0
DUTY 0

VPLB-200

Lock: BOA Concentric
Seal: Contact
Housing: Cast Iron
Temperature: 20°F to 250°F
Self Alignment: ±1.5°
Insert: VB-200
 Dimensions pg 62
 Ratings pg 63

Bore Size	Fitting
3/4" - 1 1/4" S	1/4" - 28NF
1 1/4" - 2 7/16"	1/8" NPT



SHAFT DIA. IN.	UNIT NO.	BRG NO.	Dimensions in Inches												BOLT SIZE IN.	UNIT WT.
			A	B	C		D	E	F	G	H	J	K	M		
					MIN.	MAX.										
3/4	VPLB-212	VB-212	1 1/4	5	3 3/8	4 3/16	1 11/32	25/32	7/16	15/32	2 15/32	1 9/32	25/32	1 3/4	3/8	1.4
7/8	VPLB-214	VB-214														
15/16	VPLB-215	VB-215	1 5/16	5 1/2	3 11/16	4 9/16	1 13/32	13/16	7/16	15/32	2 11/16	1 7/16	7/8	1 15/16	3/8	1.6
1	VPLB-216	VB-216														
1 1/8	VPLB-218	VB-218														
1 3/16	VPLB-219	VB-219	1 9/16	6 3/16	4 3/16	5 1/16	1 3/4	15/16	9/16	17/32	3 5/32	1 9/16	15/16	2 3/16	1/2	2.6
1 1/4	VPLB-220S	VB-220S														
1 1/4	VPLB-220	VB-220														
1 3/8	VPLB-222	VB-222	1 13/16	6 3/4	4 5/8	5 3/8	1 3/4	7/8	9/16	21/32	3 5/8	1 3/4	1 1/16	2 9/16	1/2	3.8
1 7/16	VPLB-223	VB-223														
1 1/2	VPLB-224	VB-224	1 15/16	7 1/8	4 7/8	5 7/8	1 15/16	1	9/16	3/4	3 15/16	2	1 1/4	2 11/16	1/2	4.8
1 5/8	VPLB-226	VB-226														
1 11/16	VPLB-227	VB-227	2 1/16	7 3/8	5 1/4	6 1/16	2	29/32	9/16	11/16	4 3/16	2	1 1/4	2 15/16	1/2	5.8
1 3/4	VPLB-228	VB-228														
1 15/16	VPLB-231	VB-231	2 3/16	8	5 7/8	6 1/2	2 3/16	15/16	11/16	11/16	4 1/2	2 3/32	1 11/32	3 3/8	5/8	6.5
2	VPLB-232S	VB-232S														
2	VPLB-232	VB-232														
2 3/16	VPLB-235	VB-235	2 7/16	8 13/16	6 7/16	7 7/16	2 5/16	1	11/16	13/16	4 29/32	2 1/4	1 3/8	3 1/2	5/8	8.2
2 1/4	VPLB-236	VB-236														
2 7/16	VPLB-239	VB-239	2 11/16	9 1/2	6 7/8	7 15/16	2 3/8	1 5/32	11/16	13/16	5 1/2	2 5/8	1 5/8	4 1/16	5/8	10.9
														4 1/8		

CROSS REFERENCE TO COMPETITORS PRODUCTS

REPLACES DODGE P2B-DLB	REPLACES MB KCL-45/25		

Refer to Interchange Section Page 166 for more detail.

See page 156 for trademark acknowledgments.





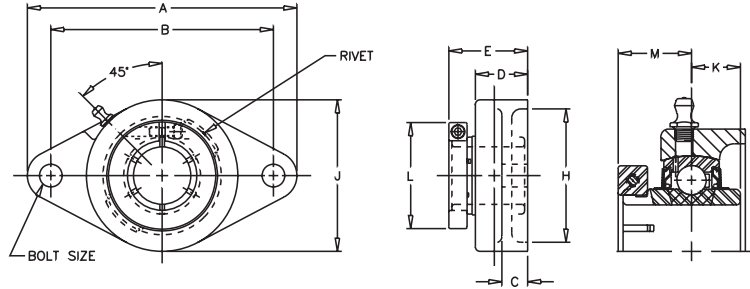
VF2B-200

Lock: BOA Concentric
Seal: Contact
Housing: Cast Iron
Temperature: -20°F to 200°F
Self Alignment: +/-1.5
Inserts: VB-200
 Dimensions pg 62
 Ratings pg 63

V VALUE & QUALITY
F FLANGE
2 TWO BOLT
B BOA

2 200
0 NORMAL
0 DUTY

Bore Size	Fitting
3/4" - 1 1/4" S	1/4" - 28NF
1 1/4" - 2 3/16"	1/8" NPT



SHAFT DIA. IN.	UNIT NO.	BRG NO.	Dimensions in Inches										BOLT SIZE IN.	UNIT WT.
			A	B	C	D	E	H CORED	J	K	L	M		
3/4	VF2B-212	VB-212	4 13/32	3 17/32	7/16	57/64	1 11/32	2	2 1/2	1/2	1 3/4	25/32	3/8	1.1
7/8	VF2B-214	VB-214												
15/16	VF2B-215	VB-215	4 7/8	3 57/64	1/2	61/64	1 1/2	2 5/16	2 3/4	9/16	1 15/16	7/8	7/16	1.3
1	VF2B-216	VB-216												
1 1/8	VF2B-218	VB-218												
1 3/16	VF2B-219	VE-219	5 9/16	4 19/32	17/32	1 5/64	1 5/8	2 3/4	3 1/8	5/8	2 1/2	15/16	7/16	2.0
1 1/4	VF2B-220S	VB-220S												
1 1/4	VF2B-220	VB-220									2 7/16			
1 3/8	VF2B-222	VB-222	6 1/8	5 1/8	19/32	1 5/32	1 13/16	3 3/16	3 5/8	11/16	2 9/16	1 1/16	1/2	3.0
1 7/16	VF2B-223	VB-223												
1 1/2	VF2B-224	VB-224	6 3/4	5 21/32	5/8	1 19/64	2 5/64	3 1/2	4 1/8	3/4	2 11/16	1 1/4	1/2	3.3
1 5/8	VF2B-226	VB-226									2 13/16			
1 11/16	VF2B-227	VB-227	7 1/16	5 27/32	5/8	1 21/64	2 7/64	3 3/4	4 3/8	3/4	2 15/16	1 1/4	9/16	4.0
1 3/4	VF2B-228	VB-228												
1 15/16	VF2B-231	VB-231	7 7/16	6 3/16	5/8	1 23/64	2 7/32	4	4 9/16	3/4	3 3/8	1 11/32	9/16	4.2
2	VF2B-232S	VB-232S												
2	VF2B-232	VB-232	8 1/2	7 1/4	13/16	1 33/64	2 3/8	4 1/4	5 1/4	7/8	3 1/2	1 3/8	5/8	7.1
2 3/16	VF2B-235	VB-235									3 5/8			

CROSS REFERENCE TO COMPETITORS PRODUCTS

REPLACES DODGE F2B-DL	REPLACES MB KFC2-45/25		

Refer to Interchange Section Page 166 for more detail.

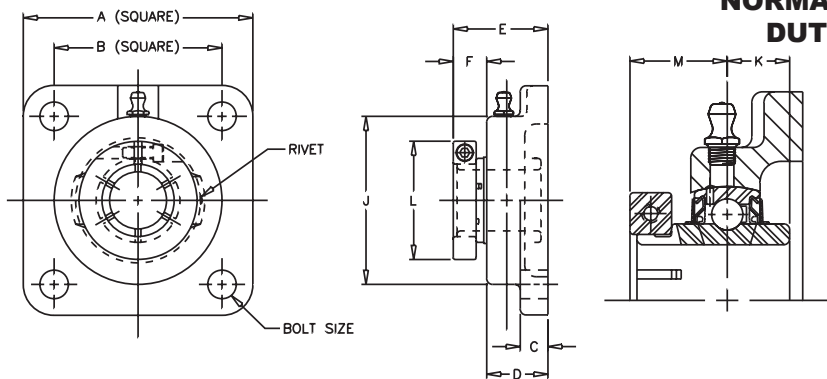


BOA CONCENTRIC

VALUE & QUALITY V
FLANGE F
FOUR BOLT 4
BOA B
200 2
NORMAL 0
DUTY 0

VF4B-200

Lock: BOA Concentric
Seal: Contact
Housing: Cast Iron
Temperature: -20°F to 200°F
Self Alignment: ±1.5°
Inserts: VB-200
 Dimensions pg 62
 Ratings pg 63



Bore Size	Fitting
3/4" - 1 1/4" S	1/4" - 28NF
1 1/4" - 2 7/16"	1/8" NPT

SHAFT DIA. IN.	UNIT NO.	BRG. NO.	Dimensions In Inches										BOLT SIZE IN.	UNIT WT.
			A	B	C	D	E	F	J	K	L	M		
3/4	VF4B-212	VB-212	3 3/8	2 1/2	7/16	57/64	1 11/32	29/64	2 1/2	1/2	1 3/4	25/32	3/8	1.5
7/8	VF4B-214	VB-214												
15/16	VF4B-215	VB-215	3 3/4	2 3/4	1/2	61/64	1 1/2	35/64	2 3/4	9/16	1 15/16	7/8	7/16	1.8
1	VF4B-216	VB-216												
1 1/8	VF4B-218	VB-218												
1 3/16	VF4B-219	VB-219	4 1/4	3 1/4	17/32	1 5/64	1 5/8	35/64	3 1/8	5/8	2 3/16	15/16	7/16	2.8
1 1/4	VF4B-220S	VB-220S												
1 1/4	VF4B-220	VB-220									2 7/16			
1 3/8	VF4B-222	VB-222	4 5/8	3 5/8	19/32	1 5/32	1 13/16	21/32	3 5/8	11/16	2 9/16	1 1/16	1/2	3.9
1 7/16	VF4B-223	VB-223												
1 1/2	VF4B-224	VB-224	5 1/8	4	5/8	1 19/64	2 5/64	25/32	4 1/8	3/4	2 11/16	1 1/4	1/2	5.2
1 5/8	VF4B-226	VB-226									2 13/16			
1 11/16	VF4B-227	VB-227	5 3/8	4 1/8	5/8	1 21/64	2 7/64	25/32	4 3/8	3/4	2 15/16	1 1/4	9/16	5.5
1 3/4	VF4B-228	VB-228												
1 15/16	VF4B-231	VB-231	5 5/8	4 3/8	5/8	1 23/64	2 7/32	55/64	4 9/16	3/4	3 3/8	1 11/32	9/16	6.2
2	VF4B-232S	VB-232S												
2	VF4B-232	VB-232									3 1/2			
2 3/16	VF4B-235	VB-235	6 3/8	5 1/8	13/16	1 33/64	2 3/8	55/64	5 1/4	7/8	3 5/8	1 3/8	5/8	8.5
2 1/4	VF4B-236	VB-236												
2 7/16	VF4B-239	VB-239	6 7/8	5 5/8	13/16	1 11/16	2 3/4	1 1/16	5 7/16	1	4 1/16 4 1/8	1 5/8	5/8	10.8

CROSS REFERENCE TO COMPETITORS PRODUCTS

REPLACES DODGE F4B-DL	REPLACES MB KFC4-45/25		

Refer to Interchange Section Page 166 for more detail.

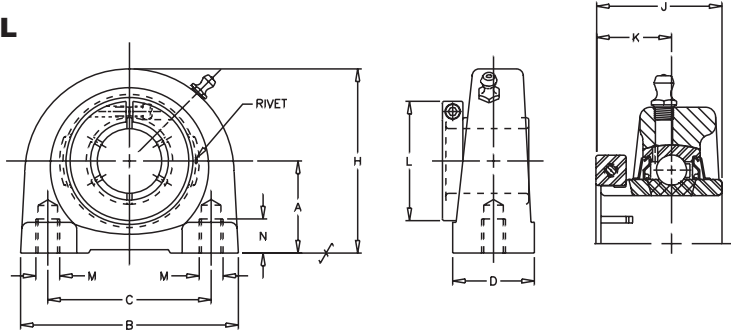


VTBB-200

Lock: BOA Concentric
Seal: Contact
Housing: Cast Iron
Temperature: -20°F to 200°F
Self Alignment: ±1.5°
Inserts: VB-200
 Dimensions pg 62
 Ratings pg 63

V VALUE & QUALITY
T TAPPED
B BASE
B BOA
2 200
0 NORMAL
0 DUTY

Bore Size	Fitting
3/4" - 1 1/4" S	1/4" - 28NF
1 1/4" - 2"	1/8" NPT



SHAFT DIA. IN.	UNIT NO.	BRG. NO.	Dimensions In Inches								M BOLT HOLES UNC-THREAD	N MIN TAP DEPTH	UNIT WT.
			A	B	C	D	H	J	K	L			
3/4	VTBB-212	VB-212	1 5/16	2 7/8	2	1 1/2	2 9/16	1 9/32	25/32	1 3/4	3/8-16	1/2	1.7
7/8	VTBB-214	VB-214											
15/16	VTBB-215	VB-215	1 7/16	3	2	1 1/2	2 13/16	1 7/16	7/8	1 15/16	3/8-16	1/2	1.8
1	VTBB-216	VB-216											
1 1/8	VTBB-218	VB-218											
1 3/16	VTBB-219	VB-219	1 11/16	4	3	1 1/2	3 3/8	1 9/16	15/16	2 3/16	7/16-14	5/8	2.8
1 1/4	VTBB-220S	VB-220S											
1 1/4	VTBB-220	VB-220								2 7/16			
1 3/8	VTBB-222	VB-222	1 7/8	4 1/4	3 1/4	1 7/8	3 3/4	1 3/4	1 1/16	2 9/16	1/2-13	3/4	4
1 7/16	VTBB-223	VB-223											
1 1/2	VTBB-224	VB-224	1 15/16	4 5/8	3 1/2	1 7/8	3 15/16	2	1 1/4	2 11/16	1/2-13	3/4	4.5
1 5/8	VTBB-226	VB-226								2 13/16			
1 11/16	VTBB-227	VB-227	2 1/8	5	3 3/4	2	4 1/4	2	1 1/4	2 15/16	1/2-13	3/4	5.6
1 3/4	VTBB-228	VB-228											
1 15/16	VTBB-231	VB-231	2 1/4	5 1/2	4	2	4 5/8	2 3/32	1 11/32	3 3/8	5/8-11	7/8	6.9
2	VTBB-232S	VB-232S											

CROSS REFERENCE TO COMPETITORS PRODUCTS

REPLACES DODGE TB-DL			

Refer to Interchange Section Page 166 for more detail.

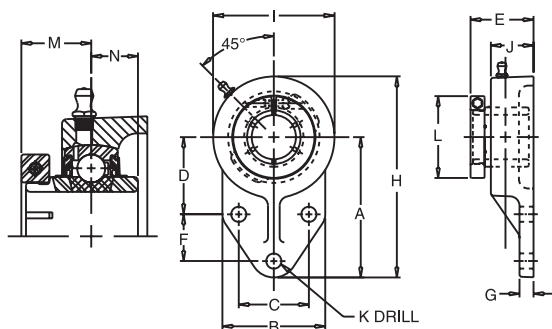


CONCENTRIC

VALUE & QUALITY V
 FLANGE F
 BASE B
 BOA B
 200 2
 NORMAL 0
 DUTY 0

VFBB-200

Lock: BOA Concentric
 Seal: Contact
 Housing: Cast Iron
 Temperature: -20°F to 200°F
 Self Alignment: ±1.5°
 Inserts: VB-200
 Dimensions pg 62
 Ratings pg 63



Bore Size	Fitting
3/4" - 1 1/4" S	1/4" - 28NF
1 7/16" - 2" S	1/8" NPT

SHAFT DIA. IN.	UNIT NO.	BRG. NO.	Dimensions in inches														UNIT WT.
			A	B	C	D	E	F	G	H	I	J	K	L	M	N	
3/4	VFBB-212	VB-212	3	2 3/8	1 1/2	1 11/16	1 13/32	7/8	5/16	4 3/16	2 3/8	61/64	13/32	1 3/4	25/32	1/2	1.2
7/8	VFBB-214	VB-214															
15/16	VFBB-215	VB-215	3 3/8	2 1/2	1 5/8	1 13/16	1 9/16	1 1/8	3/8	4 3/4	2 3/4	1 1/64	13/32	1 15/16	7/8	9/16	2.1
1	VFBB-216	VB-216															
1 1/8	VFBB-218	VB-218															
1 3/16	VFBB-219	VB-219	3 3/4	2 3/4	1 7/8	2 1/16	1 11/16	1 1/4	3/8	5 23/64	3 7/32	1 9/64	13/32	2 3/16	15/16	5/8	2.8
1 1/4	VFBB-220S	VB-220S															
1 1/4	VFBB-220	VB-220												2 7/16			
1 3/8	VFBB-222	VB-222	4 1/4	3 1/4	2	2 3/8	1 15/16	1 1/4	1/2	6 1/8	3 3/4	1 9/32	17/32	2 9/16	1 1/16	11/16	2.9
1 7/16	VFBB-223	VB-223															
1 15/16	VFBB-231	VB-231															
2	VFBB-232S	VB-232S	5 3/16	4	2 3/4	2 15/16	2 7/32	1 5/8	1/2	7 15/32	4 9/16	1 23/64	17/32	3 3/8	1 11/32	3/4	4.8

CROSS REFERENCE TO COMPETITORS PRODUCTS

REPLACES DODGE FB-DL	REPLACES MB KMFB		

Refer to Interchange Section Page 166 for more detail.

See page 156 for trademark acknowledgments.

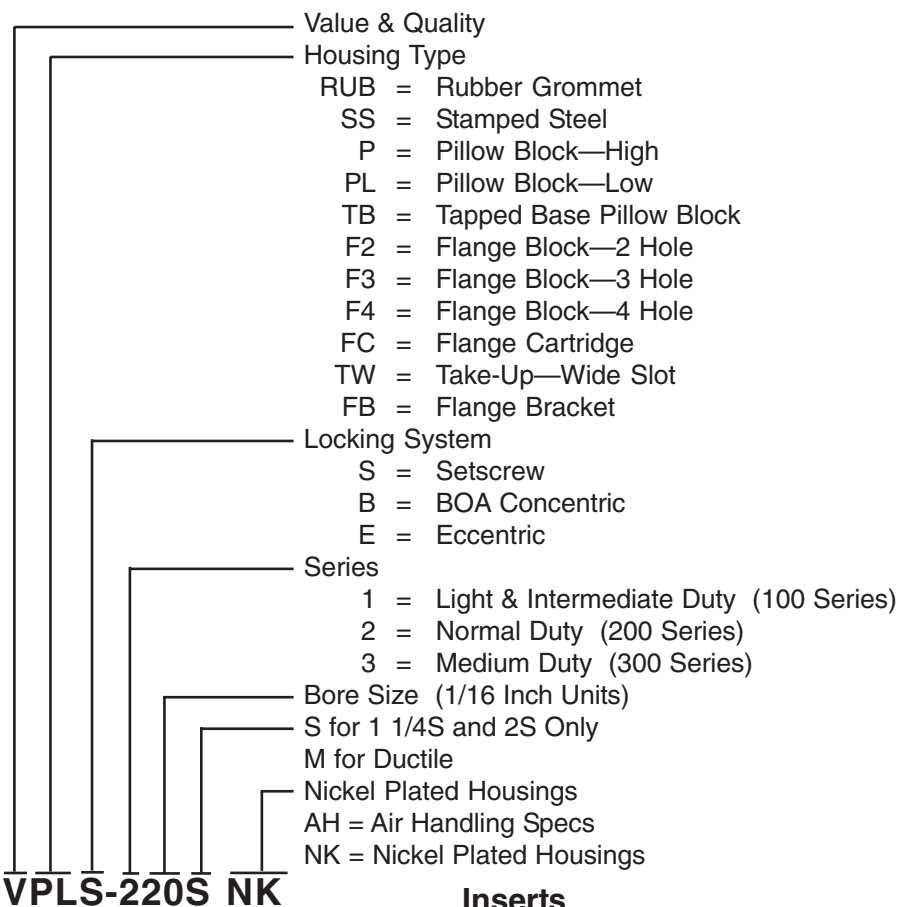


Browning[®]

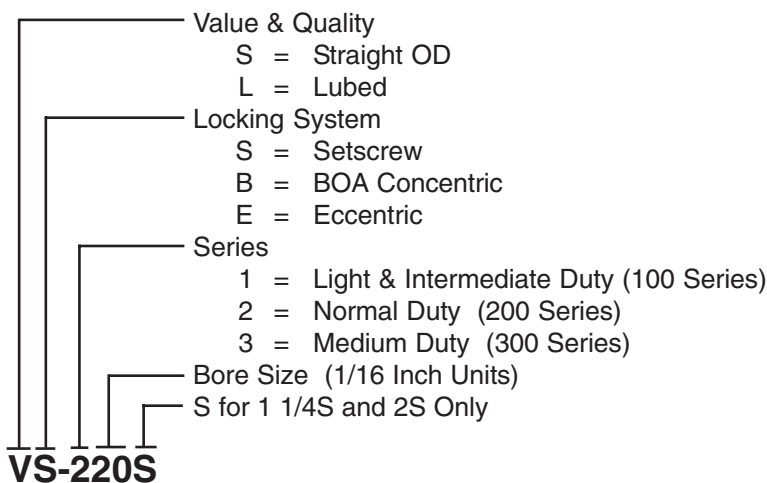
BOA CONCENTRIC

Nomenclature Part Number Explanation

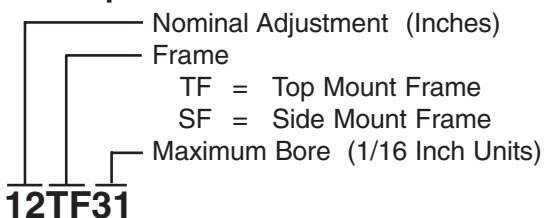
Mounted Units



Inserts



Take-Up Frames



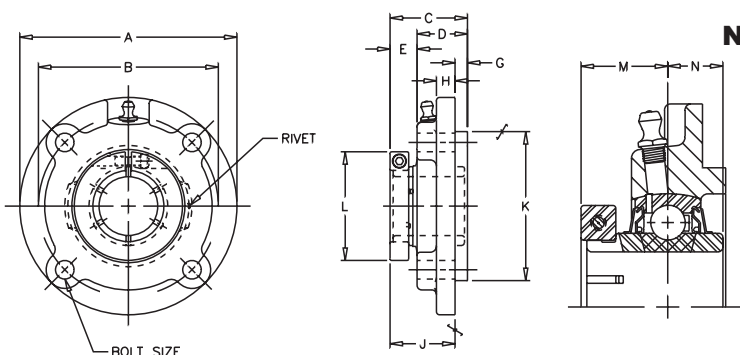


200

VALUE & QUALITY V
 FLANGE F
 CARTRIDGE C
 BOA B
 200 2
 NORMAL 0
 DUTY 0

VFCB-200

Lock: BOA Concentric
 Seal: Contact
 Housing: Cast Iron
 Temperature: -20°F to 200°F
 Self Alignment: ±1.5°
 Inserts: VB-200
 Dimensions pg 62
 Ratings pg 63



Bore Size	Fitting
1 1/8" - 2 3/16"	1/4" - 28NF
2 1/4" - 2 7/16"	1/8" NPT

SHAFT DIA. IN.	UNIT NO.	BRG. NO.	Dimensions in Inches													BOLT SIZE IN.	UNIT WT.
			A	B	C	D	E	G	H	J	K*	L	M	N			
1 1/8	VFCB-218	VB-218	4 3/8	3 5/8	1 9/16	1 1/64	35/64	1/4	3/8	1 5/16	3	2 3/16	15/16	5/8	5/16	2.6	
1 3/16	VFCB-219	VB-219															
1 1/4	VFCB-220	VB-220	5	4 1/8	1 3/4	1 3/32	21/32	3/8	3/8	1 3/8	3 3/8	2 7/16	1 1/16	11/16	3/8	3.5	
1 3/8	VFCB-222	VB-222										2 9/16					
1 7/16	VFCB-223	VB-223															
1 1/2	VFCB-224	VB-224	5 1/4	4 3/8	2	1 7/32	25/32	7/16	3/8	1 9/16	3 5/8	2 11/16	1 1/4	3/4	3/8	3.9	
1 5/8	VFCB-226	VB-226										2 13/16					
1 11/16	VFCB-227	VB-227	6 1/8	5 1/8	2	1 7/32	25/32	7/16	3/8	1 9/16	4 1/4	2 15/16	1 1/4	3/4	7/16	5.2	
1 3/4	VFCB-228	VB-228															
1 15/16	VFCB-231	VB-231	6 1/8	5 1/8	2 1/8	1 17/64	55/64	15/32	3/8	1 21/32	4 1/4	3 3/8	1 11/32	3/4	7/16	6.3	
2	VFCB-232S	VB-232S															
2	VFCB-232	VB-232	6 3/8	5 3/8	2 17/64	1 13/32	55/64	5/8	3/8	1 41/64	4 1/2	3 1/2	1 3/8	7/8	7/16	6.6	
2 3/16	VFCB-235	VB-235										3 5/8					
2 1/4	VFCB-236	VB-236	7 1/8	6	2 15/16	1 7/8	1 1/16	7/8	1/2	2 1/16	5	4 1/16	1 5/8	1	1/2	8.3	
2 7/16	VFCB-239	VB-239										4 1/8					

*Tolerance ±.001"

CROSS REFERENCE TO COMPETITORS PRODUCTS

REPLACES DODGE TB-DL			

Refer to Interchange Section Page 166 for more detail.

See page 156 for trademark acknowledgments.



VB-200

Lock: BOA Concentric
Seal: Contact
Temperature: -20°F to 200°F
Ratings: Page 63

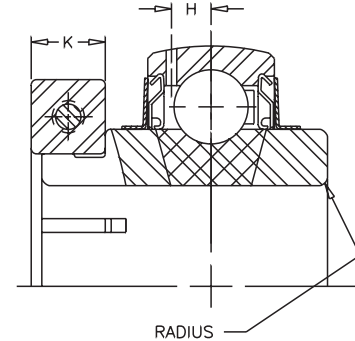
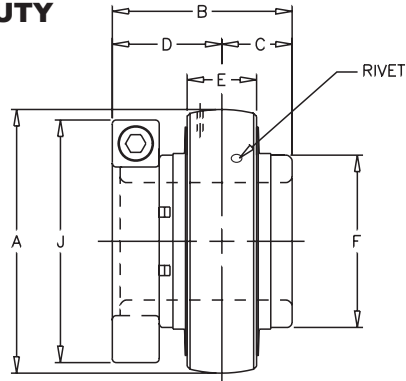
V VALUE & QUALITY

B BOA

2 200

0 NORMAL

0 DUTY



SHAFT DIA. IN.	BRG. NO.	Dimensions in Inches										TORX CAP SCREW	UNIT WT.
		A	B	C	D	E	F	G	H	J	RADIUS		
3/4	VB-212	47MM 1.8504	1 9/32	1/2	25/32	19/32	1 3/16	3/8	9/64	1 3/4	.040	8-32 X 5/8	.5
7/8	VB-214	52MM 2.0472	1 7/16	9/16	7/8	19/32	1 3/8	3/8	11/64	1 15/16	.040	8-32 X 5/8	.8
15/16	VB-215												
1	VB-216	2.0472											
1 1/8	VB-218	62MM 2.4406	1 9/16	5/8	15/16	45/64	1 19/32	3/8	7/32	2 3/16	.040	8-32 X 5/8	1.1
1 3/16	VB-219												
1 1/4	VB-220S	2.4406											
1 1/4	VB-220	72MM 2.8343	1 3/4	11/16	1 1/16	3/4	1 55/64	7/16	1/4	2 7/16	.040	10-24 X 3/4	1.5
1 3/8	VB-222									2 9/16			
1 7/16	VB-223												
1 1/2	VB-224	80MM 3.1493	2	3/4	1 1/4	7/8	2 1/16	7/16	19/64	2 11/16	.062	10-24 X 3/4	1.8
1 5/8	VB-226	85MM 3.3461	2	3/4	1 1/4	7/8	2 19/64	7/16	19/64	2 13/16	.062	10-24 X 3/4	1.9
1 11/16	VB-227									2 15/16			
1 3/4	VB-228												
1 15/16	VB-231	90MM	2 3/32	3/4	1 11/32	29/32	2 15/32	9/16	17/64	3 3/8	.062	1/4-20 X 1	2.4
2	VB-232	100MM 3.9366	2 1/4	7/8	1 3/8	63/64	2 23/32	9/16	19/64	3 1/2	.080	1/4-20 X 1	2.9
2 3/16	VB-235									3 5/8			
2 1/4	VB-236	110MM 4.3303	2 5/8	1	1 5/8	1 1/16	2 63/64	11/16	21/64	4 1/16	.080	5/16 -18 X 1	4.3
2 7/16	VB-239									4 1/8			

CROSS REFERENCE TO COMPETITORS PRODUCTS

For insert interchange information, contact EPT Mounted Bearing Technical Support.
See page 260 for contact information.



200 SERIES RATINGS

This chart displays 200 series ball bearings' load capacity for a given L10 life, speed, and shaft size. Values in the table represent loads at ideal conditions with press fit mounting to the shaft. ABMA recommends de-rating of slip fit mounted bearings. To obtain de-rated load, divide load in table by 1.3. Values in the table represent equivalent radial loads only. For combined load determination, see **THE BEARING SELECTION SECTION**, page 266. Areas designated by “—” exceed maximum speed value for standard bearings.

Match Bore Size

SHAFT SIZES 200 Dia. Inches	L10 HOURS	REVOLUTIONS PER MINUTE																	
		50	150	250	500	750	1000	1500	1750	2000	2500	3000	3500	4000	4500	5000	5500	6500	7500
1/2 5/8	5000	500	500	500	397	347	315	275	261	250	232	218	207	198	191	184	178	169	161
	10000	500	470	397	315	275	250	218	207	198	184	173	165	157	151	146	142	134	128
	30000	470	326	275	218	191	173	151	144	138	128	120	114	109	105	101	98	93	89
	50000	397	275	232	184	161	146	128	121	116	108	101	96	92	89	85	83	78	75
	100000	315	218	184	146	128	116	101	96	92	85	80	76	73	70	68	66	62	59
3/4	5000	619	619	619	491	429	390	341	324	310	287	270	257	246	236	228	221	209	—
	10000	583	583	491	390	341	310	270	257	246	228	215	204	195	188	181	175	166	—
	30000	583	404	341	270	236	215	188	178	170	158	149	141	135	130	126	122	115	—
	50000	491	341	287	228	199	181	158	150	144	133	126	119	114	110	106	103	97	—
	100000	390	270	228	181	158	144	126	119	114	106	100	95	91	87	84	81	77	—
7/8 15/16 1	5000	664	664	664	527	461	418	366	347	332	308	290	276	264	253	245	237	—	—
	10000	625	625	527	418	366	332	290	276	264	245	230	219	209	201	194	188	—	—
	30000	625	433	366	290	253	230	201	191	183	170	160	152	145	139	135	130	—	—
	50000	527	366	308	245	214	194	170	161	154	143	135	128	122	118	114	110	—	—
	100000	418	290	245	194	170	154	135	128	122	114	107	102	97	93	90	87	—	—
1 1/8 1 3/16 1 1/4	5000	1039	1039	1039	825	720	654	572	543	519	482	454	431	412	396	—	—	—	—
	10000	978	978	825	654	572	519	454	431	412	383	360	342	327	315	—	—	—	—
	30000	978	678	572	454	396	390	315	299	286	265	250	237	227	218	—	—	—	—
	50000	825	572	482	383	334	304	265	252	241	224	211	200	191	184	—	—	—	—
	100000	654	454	383	304	265	241	211	200	191	178	167	159	152	146	—	—	—	—
1 1/4 1 3/8 1 7/16	5000	1290	1290	1290	1088	951	864	755	717	686	636	599	569	544	544	—	—	—	—
	10000	1290	1290	1088	864	755	686	599	569	544	505	475	452	432	—	—	—	—	—
	30000	1290	895	755	599	523	475	415	394	377	350	330	313	299	—	—	—	—	—
	50000	1088	755	636	505	441	401	350	333	318	295	278	264	253	—	—	—	—	—
	100000	864	599	505	401	350	318	278	264	253	234	221	210	200	—	—	—	—	—
1 1/2	5000	1638	1638	1638	1381	1207	1096	958	910	870	808	760	722	—	—	—	—	—	—
	10000	1638	1638	1381	1096	958	870	760	722	691	641	603	573	—	—	—	—	—	—
	30000	1638	1136	958	760	664	603	527	501	479	445	418	397	—	—	—	—	—	—
	50000	1381	958	808	641	560	509	445	422	404	375	353	335	—	—	—	—	—	—
	100000	1096	760	641	509	445	404	353	335	321	298	280	266	—	—	—	—	—	—
1 5/8 1 11/16 1 3/4	5000	1763	1763	1763	1487	1299	1180	1031	979	937	870	818	—	—	—	—	—	—	—
	10000	1763	1763	1487	1180	1031	937	818	777	744	690	650	—	—	—	—	—	—	—
	30000	1763	1222	1031	818	715	650	567	539	516	479	450	—	—	—	—	—	—	—
	50000	1487	1031	870	690	603	548	479	455	435	404	380	—	—	—	—	—	—	—
	100000	1180	818	690	548	479	435	380	361	345	320	301	—	—	—	—	—	—	—
1 15/16 2	5000	1760	1760	1760	1485	1297	1178	1029	978	935	868	817	—	—	—	—	—	—	—
	10000	1760	1760	1485	1178	1029	935	817	776	742	689	649	—	—	—	—	—	—	—
	30000	1760	1221	1029	817	714	649	567	538	515	478	450	—	—	—	—	—	—	—
	50000	1485	1029	868	689	602	547	478	454	434	403	379	—	—	—	—	—	—	—
	100000	1178	817	689	547	478	434	379	360	345	320	301	—	—	—	—	—	—	—
2 2 3/16	5000	2176	2176	2176	1835	1603	1457	1273	1209	1156	1073	—	—	—	—	—	—	—	—
	10000	2176	2176	1835	1457	1273	1156	1010	959	918	852	—	—	—	—	—	—	—	—
	30000	2176	1509	1273	1010	882	802	700	665	636	591	—	—	—	—	—	—	—	—
	50000	1835	1273	1073	852	744	676	591	561	537	498	—	—	—	—	—	—	—	—
	100000	1457	1010	852	676	591	537	469	445	426	395	—	—	—	—	—	—	—	—
2 1/4 2 7/16	5000	2631	2631	2631	2219	1938	1761	1538	1461	1398	1298	—	—	—	—	—	—	—	—
	10000	2631	2631	2219	1761	1538	1398	1221	1160	1109	1030	—	—	—	—	—	—	—	—
	30000	2631	1824	1538	1221	1067	969	847	804	769	714	—	—	—	—	—	—	—	—
	50000	2219	1538	1298	1030	900	817	714	678	649	602	—	—	—	—	—	—	—	—
	100000	1761	1221	1030	817	714	649	567	538	515	478	—	—	—	—	—	—	—	—



300

Browning[®]

BOA CONCENTRIC

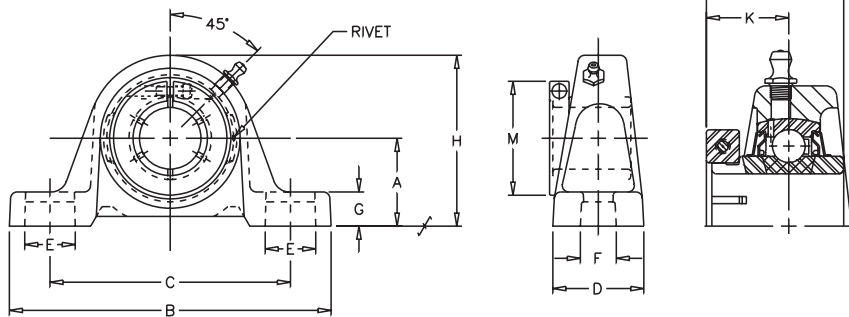
VPB-300

Lock: BOA Concentric
Seal: Contact
Housing: Cast Iron
Temperature: -20°F to 200°F
Self Alignment: ±1.5°
Inserts: VB-300
 Dimensions pg 68
 Ratings pg 69

Bore Size	Fitting
1"	1/4" - 28NF
1 3/16" - 2 3/16"	1/8" NPT

V VALUE & QUALITY
P PILLOW BLOCK
B BOA

3 300
0 MEDIUM
0 DUTY



SHAFT DIA. IN.	UNIT NO.	BRG. NO.	Dimensions in Inches												BOLT SIZE IN	UNIT WT.
			A	B	C		D	E	F	G	H	J	K	M		
					MIN.	MAX.										
⊗ 1	VPB-316	VB-316	1 3/4	6 3/16	4 3/16	5 1/16	1 3/4	15/16	9/16	23/32	3 11/32	1 9/16	15/16	2 1/16	1/2	3.1
⊗ 1 3/16	VPB-319	VB-319	1 7/8	6 3/4	4 5/8	5 3/8	1 3/4	7/8	9/16	23/32	3 11/16	1 3/4	1 1/16	2 7/16	1/2	3.1
⊗ 1 1/4	VPB-320	VB-220														
⊗ 1 7/16	VPB-323	VB-323	2 1/8	7 1/4	5 1/8	5 15/16	2	29/32	9/16	13/16	4 3/16	2	1 1/4	2 11/16	1/2	3.9
⊗ 1 1/2	VPB-324	VB-324	2 5/16	7 13/16	5 19/32	6 11/32	2 3/16	1	11/16	13/16	4 9/16	2	1 1/4	2 13/16	1/2	4.8
⊗ 1 11/16	VPB-327	VB-327	2 5/16	7 15/16	5 3/4	6 1/2	2 1/4	1	11/16	13/16	4 5/8	2 3/32	1 11/32	3 1/4	5/8	5.8
⊗ 1 3/4	VPB-328	VB-328														
⊗ 1 15/16	VPB-331	VB-331	2 1/2	8 13/16	6 7/16	7 7/16	2 5/16	1	11/16	7/8	4 31/32	2 1/4	1 3/8	3 1/2	5/8	8.1
⊗ 2	VPB-332	VB-232														
⊗ 2 3/16	VPB-335	VB-335	2 3/4	9 1/2	6 7/8	7 15/16	2 3/8	1-5/32	11/16	7/8	5 9/16	2 5/8	1 5/8	4 1/16	5/8	10.4

⊗ Air Handling (AH) To order specify AH suffix, i.e. VPB-316 AH (See page 50)

CROSS REFERENCE TO COMPETITORS PRODUCTS

REPLACES DODGE P2B-DLM	REPLACES MB KC-55/35		

Refer to Interchange Section Page 166 for more detail.



300

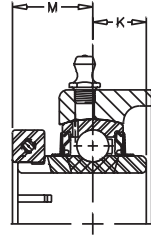
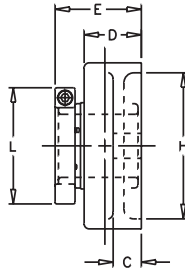
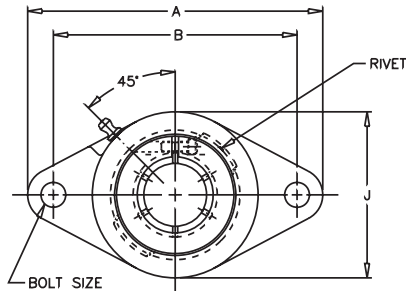
BOA CONCENTRIC

VALUE & QUALITY V
FLANGE F
TWO BOLT 2
BOA B

300 3
MEDIUM 0
DUTY 0

VF2B-300

Lock: BOA Concentric
Seal: Contact
Housing: Cast Iron
Temperature: -20°F to 200°F
Self Alignment: ±1.5°
Inserts: VB-300
 Dimensions pg 68
 Ratings pg 69



Bore Size	Fitting
1"	1/4" - 28NF
1 3/16" - 2"	1/8" NPT

SHAFT DIA. IN.	UNIT NO.	BRG NO.	Dimensions In Inches										BOLT SIZE IN.	UNIT WT.
			A	B	C	D	E	H CORED	J	K	L	M		
1	VF2B-316	VB-316	5 9/16	4 19/32	17/32	1 5/64	1 5/8	2 3/4	3 1/8	5/8	2 1/16	15/16	7/16	2.0
1 3/16	VF2B-319	VB-319	6 1/8	5 1/8	19/32	1 5/32	1 13/16	3 3/16	3 5/8	11/16	2 7/16	1 1/16	1/2	3.0
1 1/4	VF2B-320	VB-220												
1 7/16	VF2B-323	VB-323	6 3/4	5 21/32	5/8	1 19/64	2 5/64	3 1/2	4 1/8	3/4	2 11/16	1 1/4	1/2	3.3
1 1/2	VF2B-324	VB-324	7 1/16	5 27/32	5/8	1 21/64	2 7/64	3 3/4	4 3/8	3/4	2 13/16	1 1/4	9/16	4.0
1 11/16	VF2B-327	VB-327	7 7/16	6 3/16	5/8	1 23/64	2 7/32	4	4 9/16	3/4	3 1/4	1 11/32	9/16	5.2
1 3/4	VF2B-328	VB-328												
1 15/16	VF2B-331	VB-331	8 1/2	7 1/4	13/16	1 33/64	2 3/8	4 1/4	5 1/4	7/8	3 1/2	1 3/8	5/8	7.1
2	VF2B-332	VB-232												

CROSS REFERENCE TO COMPETITORS PRODUCTS

REPLACES DODGE F2B-DLM	REPLACES MB KFC2-55/35		

Refer to Interchange Section Page 166 for more detail.

See page 156 for trademark acknowledgments.





300

Browning[®]

BOA CONCENTRIC

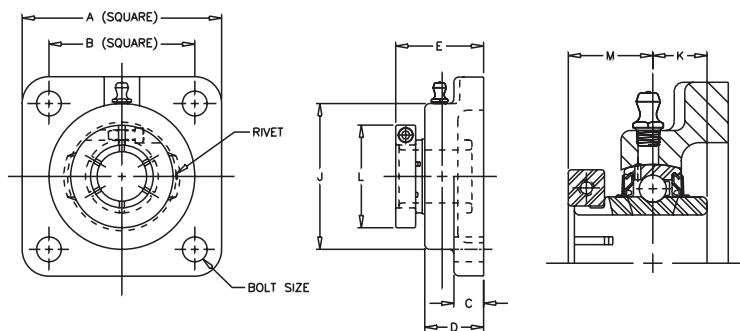
VF4B-300

Lock: BOA Concentric
Seal: Contact
Housing: Cast Iron
Temperature: -20°F to 200°F
Self Alignment: ±1.5°
Inserts: VB-300
 Dimensions pg 68
 Ratings pg 69

V VALUE & QUALITY
F FLANGE
4 FOUR BOLT
B BOA

3 300
0 MEDIUM
0 DUTY

Bore Size	Fitting
1"	1/4" - 28NF
1 3/16" - 2 3/16"	1/8" NPT



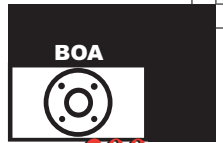
SHAFT DIA. IN.	UNIT NO.	BRG. NO.	Dimensions In Inches									BOLT SIZE IN.	UNIT WT.
			A	B	C	D	E	J	K	L	M		
1	VF4B-316	VB-316	4 1/4	3 1/4	17/32	1 5/64	1 5/8	3 1/8	5/8	2 1/16	15/16	7/16	3.0
1 3/16	VF4B-319	VB-319	4 5/8	3 5/8	19/32	1 5/32	1 13/16	3 5/8	11/16	2 7/16	1 1/16	1/2	3.0
1 1/4	VF4B-320	VB-220	4 5/8	3 5/8	19/32	1 5/32	1 13/16	3 5/8	11/16	2 7/16	1 1/16	1/2	3.0
1 7/16	VF4B-323	VB-323	5 1/8	4	5/8	1 19/64	2 5/64	4 1/8	3/4	2 11/16	1 1/4	1/2	5.1
1 1/2	VF4B-324	VB-324	5 3/8	4 1/8	5/8	1 21/64	2 7/64	4 3/8	3/4	2 13/16	1 1/4	9/16	5.1
1 11/16	VF4B-327	VB-327	5 5/8	4 3/8	5/8	1 23/64	2 7/32	4 9/16	3/4	3 1/4	1 11/32	9/16	5.9
1 3/4	VF4B-328	VB-328	5 5/8	4 3/8	5/8	1 23/64	2 7/32	4 9/16	3/4	3 1/4	1 11/32	9/16	5.9
1 15/16	VF4B-331	VB-331	6 3/8	5 1/8	13/16	1 33/64	2 3/8	5 1/4	7/8	3 1/2	1 3/8	5/8	8.2
2	VF4B-332	VB-232	6 3/8	5 1/8	13/16	1 33/64	2 3/8	5 1/4	7/8	3 1/2	1 3/8	5/8	8.2
2 3/16	VF4B-335	VB-335	6 7/8	5 5/8	13/16	1 11/16	2 3/4	5 7/16	1	4 1/16	1 5/8	5/8	10.2

CROSS REFERENCE TO COMPETITORS PRODUCTS

REPLACES DODGE F4B-DLM	REPLACES MB KFC4-55/35		

Refer to Interchange Section Page 166 for more detail.





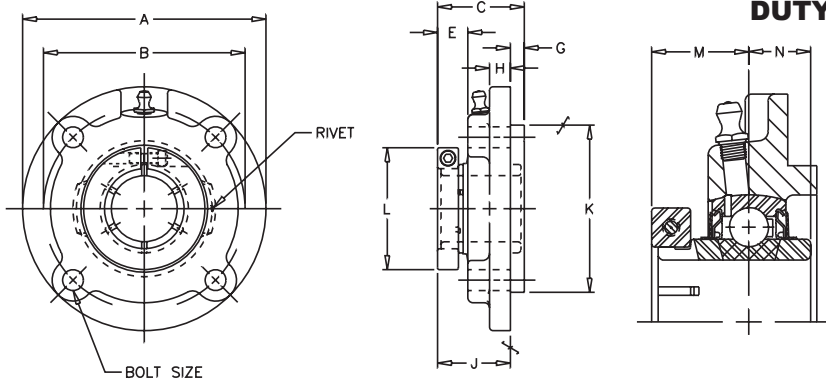
300

VALUE & QUALITY V
FLANGE F
CARTRIDGE C
BOA B

300 3
MEDIUM 0
DUTY 0

VFCB-300

Lock: BOA Concentric
Seal: Contact
Housing: Cast Iron
Temperature: -20°F to 200°F
Self Alignment: ±1.5°
Inserts: VB-300
 Dimensions pg 68
 Rating pg 69



Bore Size	Fitting
1"	1/4" - 28NF
1 3/16" - 2 3/16"	1/8" NPT

SHAFT DIA. IN.	UNIT NO.	BRG. NO.	Dimensions In Inches											BOLT SIZE IN.	UNIT WT
			A	B	C	E	G	H	J	K*	L	M	N		
1	VFCB-316	VB-316	4 3/8	3 5/8	1 9/16	35/64	1/4	3/8	1 5/16	3	2 1/16	15/16	5/8	3/8	2.7
1 3/16	VFCB-319	VB-319	5	4 1/8	1 3/4	21/32	3/8	3/8	1 3/8	3 3/8	2 7/16	1 1/16	11/16	3/8	3.7
1 1/4	VFCB-320	VB-220													
1 7/16	VFCB-323	VB-323	5 1/4	4 3/8	2	25/32	7/16	3/8	1 9/16	3 5/8	2 11/16	1 1/4	3/4	3/8	4.2
1 1/2	VFCB-324	VB-324	6 1/8	5 1/8	2	25/32	7/16	3/8	1 9/16	4 1/4	2 13/16	1 1/4	3/4	7/16	5.8
1 11/16	VFCB-327	VB-327	6 1/8	5 1/8	2 1/8	55/64	15/32	3/8	1 21/32	4 1/4	3 1/4	1 11/32	3/4	7/16	6.8
1 3/4	VFCB-328	VB-328													
1 15/16	VFCB-331	VB-331	6 3/8	5 3/8	2 17/64	55/64	5/8	3/8	1 41/64	4 1/2	3 1/2	1 3/8	7/8	7/16	7.1
2	VFCB-332	VB-232	7 1/8	6	2 15/16	1 1/16	7/8	1/2	2 1/16	5	4 1/16	1 5/8	1	1/2	7.7
2 3/16	VFCB-335	VB-335													

*Tolerance ±.001"

CROSS REFERENCE TO COMPETITORS PRODUCTS

REPLACES DODGE FC-DLM			

Refer to Interchange Section Page 166 for more detail.

See page 156 for trademark acknowledgments.





300

Browning[®]

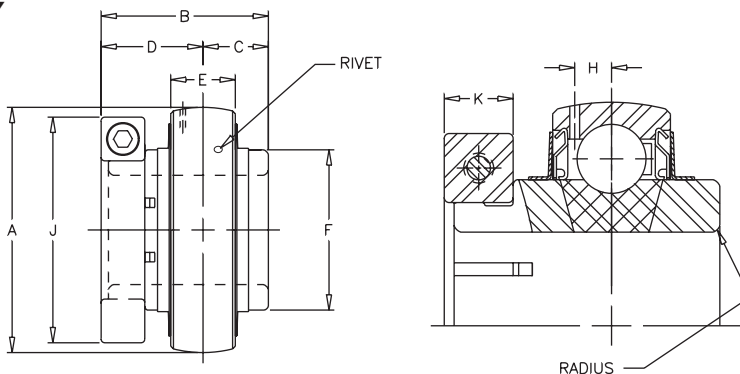
BOA CONCENTRIC

VB-300

Lock: BOA Concentric
Seal: Contact
Temperature: -20°F to 200°F
Ratings: Page 69

V VALUE & QUALITY
B BOA

3 300
0 MEDIUM
0 DUTY



SHAFT DIA. IN.	BRG. NO.	Dimensions in Inches										TORX CAP SCREW	UNIT WT.
		A	B	C	D	E	F	H	J	K	RADIUS		
1	VB-316	62MM 2.4409	1 9/16	5/8	15/16	45/64	1 19/32	13/64	2 1/16	3/8	.040	8-32 X 5/8	1.1
1 3/16	VB-319	72MM 2.8346	1 3/4	11/16	1 1/16	3/4	1 55/64	15/64	2 7/16	7/16	.040	10-24 X 3/4	1.7
1 7/16	VB-323	80MM 3.1496	2	3/4	1 1/4	55/64	2 1/16	17/64	2 11/16	7/16	.062	10-24 X 3/4	2.1
1 1/2	VB-324	85MM 3.3465	2	3/4	1 1/4	55/64	2 19/64	17/64	2 13/16	7/16	.062	10-24 X 3/4	2.4
1 11/16	VB-327	90MM 3.5433	2 3/32	3/4	1 11/32	29/32	2 15/32	9/32	3 1/4	9/16	.062	1/4-20 X 1	2.8
1 3/4	VB-328												
1 15/16	VB-331	100MM 3.9370	2 1/4	7/8	1 3/8	63/64	2 23/32	5/16	3 1/2	9/16	.080	1/4-20 X 1	3.4
2 3/16	VB-335	110MM 4.3307	2 5/8	1	1 5/8	1 1/16	2 63/64	11/32	4 1/16	11/16	.080	5-/16-18 x 1	4.7

CROSS REFERENCE TO COMPETITORS PRODUCTS

For insert interchange information, contact EPT Mounted Bearing Technical Support.
See page 260 for contact information.





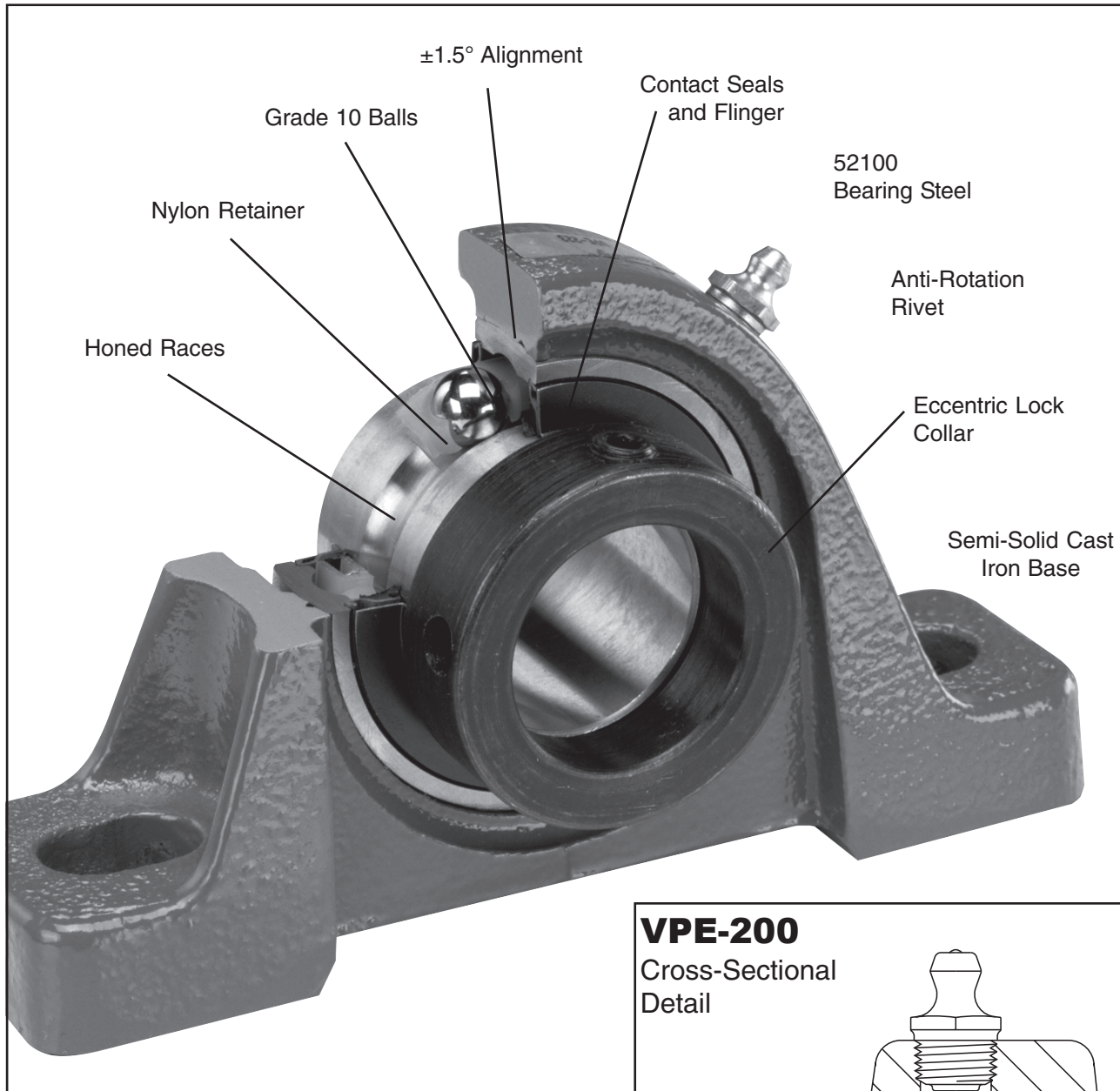
CONCENTRIC 300 SERIES RATINGS

This chart displays 300 series ball bearings' load capacity for a given L10 life, speed, and shaft size. Values in the table represent loads at ideal conditions with press fit mounting to the shaft. ABMA recommends de-rating of slip fit mounted bearings. To obtain de-rated load, divide load in table by 1.3. Values in the table represent equivalent radial loads only. For combined load determination, see **THE BEARING SELECTION SECTION**, page 266. Areas designated by “—” exceed maximum speed value.

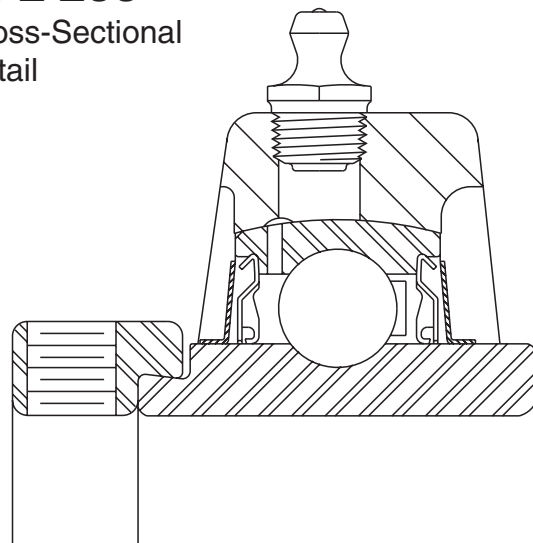
Match Bore Size

SHAFT SIZES 300 Dia. Inches	L10 HOURS	REVOLUTIONS PER MINUTE													
		50	150	250	500	750	1000	1500	1750	2000	2500	3000	3500	4000	4500
1	5000	1039	1039	1039	825	720	654	572	543	519	482	454	431	412	—
	10000	978	978	825	654	572	519	454	431	412	383	360	342	327	—
	30000	978	678	572	454	396	360	315	299	286	265	250	237	227	—
	50000	825	572	482	383	334	304	265	252	241	224	211	200	191	—
	100000	654	454	383	304	265	241	211	200	191	178	167	159	152	—
1 3/16	5000	1290	10290	1290	1088	951	864	755	717	686	636	599	569	544	—
	10000	1290	1290	1088	864	755	686	599	569	544	505	475	452	432	—
	30000	1290	895	755	599	523	475	415	394	377	350	330	313	299	—
	50000	1088	755	636	505	441	401	350	333	318	295	278	264	253	—
	100000	864	599	505	401	350	318	278	264	253	234	221	210	200	—
1 7/16	5000	1638	1638	1638	1381	1207	1096	958	910	870	808	760	722	—	—
	10000	1638	1638	1381	1096	958	870	760	722	691	641	603	573	—	—
	30000	1638	1136	958	760	664	603	527	501	479	445	418	397	—	—
	50000	1381	958	808	641	560	509	445	422	404	375	353	335	—	—
	100000	1096	760	641	509	445	404	353	335	321	298	280	266	—	—
1 1/2	5000	1763	1763	1763	1487	1299	1180	1031	979	937	870	818	—	—	—
	10000	1763	1763	1487	1180	1031	937	818	777	744	690	650	—	—	—
	30000	1763	1222	1031	818	715	650	567	539	516	479	450	—	—	—
	50000	1487	1031	870	690	603	548	479	455	435	404	380	—	—	—
	100000	1180	818	690	548	479	435	380	361	345	320	301	—	—	—
1 11/16	5000	1760	1760	1760	1485	1297	1178	1029	978	935	868	817	—	—	—
	10000	1760	1760	1485	1178	1029	935	817	776	742	689	649	—	—	—
	30000	1760	1221	1029	817	714	649	567	538	515	478	450	—	—	—
	50000	1485	1029	868	689	602	547	478	454	434	403	379	—	—	—
	100000	1178	817	689	547	478	434	379	360	345	320	301	—	—	—
1 15/16	5000	2176	2176	2176	1835	1603	1457	1273	1209	1156	1073	—	—	—	—
	10000	2176	2176	1835	1457	1273	1156	1010	959	918	852	—	—	—	—
	30000	2176	1509	1273	1010	882	802	700	665	636	591	—	—	—	—
	50000	1835	1273	1073	852	744	676	591	561	537	498	—	—	—	—
	100000	1457	1010	852	676	591	537	469	445	426	395	—	—	—	—
2 3/16	5000	2631	2631	2631	2219	1938	1761	1538	1461	1398	1298	—	—	—	—
	10000	2631	2631	2219	1761	1538	1398	1221	1160	1109	1030	—	—	—	—
	30000	2631	1824	1538	1221	1067	969	847	804	769	714	—	—	—	—
	50000	2219	1538	1298	1030	900	817	714	678	649	602	—	—	—	—
	100000	1761	1221	1030	817	714	649	567	538	515	478	—	—	—	—

Browning® Ball Bearings



VPE-200
Cross-Sectional
Detail



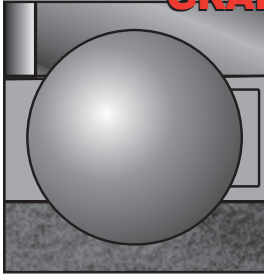
BROWNING ECCENTRIC BALL BEARINGS FEATURES/BENEFITS



BROWNING ECCENTRIC BALL BEARINGS

FEATURES/BENEFITS

GRADE 10 BALLS



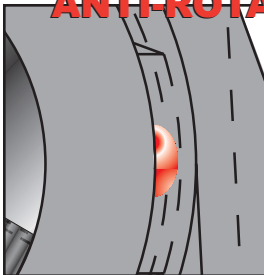
For quieter operation and less vibration. Manufactured with high quality 52100 steel.

ECCENTRIC COLLAR



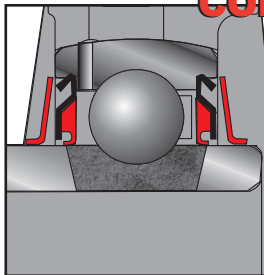
The Browning ball bearing incorporates a precision eccentric locking collar to mate with the inner ring for shaft hold.

ANTI-ROTATION RIVET



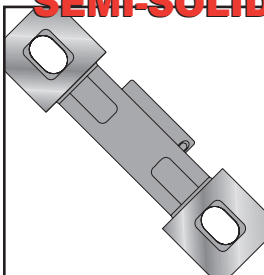
An anti-rotation rivet prevents outer ring creep or rotation within the housing. This reduces heat buildup and prolongs useful bearing life.

CONTACT SEAL



Positive contact molded rubber lip with an auxiliary flinger for proven effective sealing against contaminants.

SEMI-SOLID CAST IRON BASE



The rugged base design provides an excellent mounting foundation. This is integral to prevent sheet metal "buckling."

PRECISION HARDENED AND HONED RINGS

Inner rings are through hardened to maintain ballpath and the extension hardness for a precision collar/bearing to shaft hold. Both ballpaths are honed for quieter operating and less vibration. See cross sectional detail – left.

SERIES

Eccentric ball bearings are segmented into two series ranging from intermediate duty for lightly loaded applications to normal duty for heavier loads.

100 = Intermediate and light duty

200 = Normal duty

TABLE OF CONTENTS

200 Series Standard Duty	
Pillow Blocks Cast Iron	72-73
2-Bolt Flanges Cast Iron	74
4-Bolt Flanges Cast Iron	75
TakeUps Cast Iron	76-77
Inserts	78
100 Series Intermediate Duty	
Pillow Blocks Cast Iron	80-81
2-Bolt Flanges Cast Iron	82
4-Bolt Flanges Cast Iron	83
Tapped Base Cast Iron	84
Take Ups Cast Iron	85
2-Bolt Flange Ductile	86
Pillow Blocks Ductile	87
3-Bolt Flanges Ductile	88
Pillow Block Stamped Rubber	89
Pillow Block Stamped	90
2-Bolt Stamped	91
3-Bolt Stamped	92
4-Bolt Stamped	93
3-Bolt Stamped Triangle	94
Rubber Grommet	95
Inserts	96-98
SET SCREW	4
BOA CONCENTRIC	52



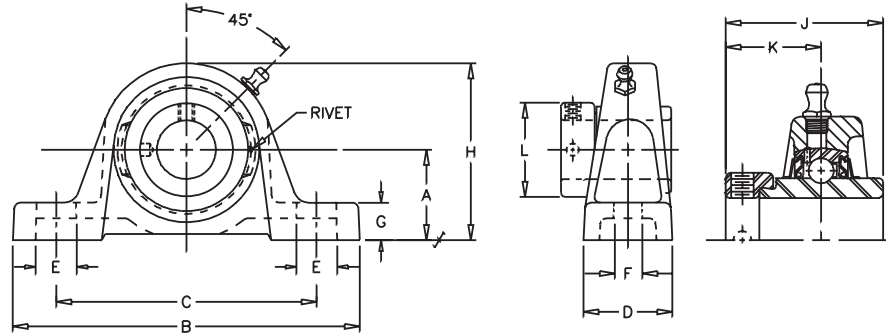
VPE-200

Lock: Eccentric
Seal: Contact
Housing: Cast Iron
Temperature: -20°F to 200°F
Self Alignment: ±1.5°
Inserts: VE-200
 Dimensions pg 78
 Ratings pg 79

V VALUE & QUALITY
P PILLOW BLOCK
E ECCENTRIC

2 200
0 NORMAL
0 DUTY

Bore Size	Fitting
1/2" - 1 1/4" S	1/4" - 28NF
1 1/4" - 2 15/16"	1/8" NPT



SHAFT DIA. IN	UNIT NO.	BRG. NO.	Dimensions in Inches											BOLT SIZE IN.	UNIT WT.
			A	B	C	D	E	F	G	H	J	K	L		
1/2	VPE-208	VE-208	1 3/16	4 7/8	3 5/8	1 7/32	7/8	7/16	15/32	2 7/32	1 15/32	59/64	1 3/16	3/8	1.0
5/8	VPE-210	VE-210													
3/4	VPE-212	VE-212	1 5/16	5	3 25/32	1 11/32	25/32	7/16	17/32	2 17/32	1 23/32	1 3/64	1 5/16	3/8	1.5
7/8	VPE-214	VE-214													
15/16	VPE-215	VE-215	1 7/16	5 1/2	4 1/8	1 13/32	13/16	7/16	19/32	2 13/16	1 3/4	1 1/16	1 1/2	3/8	1.8
1	VPE-216	VE-216													
1 1/8	VPE-218	VE-218													
1 3/16	VPE-219	VE-219	1 11/16	6 3/16	4 5/8	1 3/4	15/16	9/16	21/32	3 9/32	1 29/32	1 3/16	1 3/4	1/2	2.9
1 1/4	VPE-220S	VE-220S													
1 1/4	VPE-220	VE-220													
1 3/8	VPE-222	VE-222	1 7/8	6 3/4	5	1 3/4	7/8	9/16	23/32	3 11/16	2 1/64	1 9/32	2 3/16	1/2	3.8
1 7/16	VPE-223	VE-223													
1 1/2	VPE-224	VE-224	2	7 1/8	5 3/8	1 15/16	1	9/16	13/16	4	2 7/32	1 3/8	2 3/8	1/2	5.0
1 5/8	VPE-226	VE-226													
1 11/16	VPE-227	VE-227	2 1/8	7 3/8	5 21/32	2	29/32	9/16	3/4	4 1/4	2 7/32	1 3/8	2 1/2	1/2	5.7
1 3/4	VPE-228	VE-228													
1 15/16	VPE-231	VE-231	2 1/4	8	6 3/16	2 3/16	15/16	11/16	3/4	4 9/16	2 15/32	1 1/2	2 3/4	5/8	6.3
2	VPE-232	VE-232													
2 3/16	VPE-235	VE-235	2 1/2	8 13/16	6 15/16	2 5/16	1	11/16	7/8	4 31/32	2 13/16	1 23/32	3	5/8	8.1
2 1/4	VPE-236	VE-236													
2 7/16	VPE-239	VE-239	2 3/4	9 1/2	7 13/32	2 3/8	1 5/32	11/16	7/8	5 9/16	3 1/16	1 27/32	3 3/8	5/8	10.2
2 15/16	VPE-247	VE-247	3 5/16	12	9 1/2	2 7/8	1 1/4	15/16	1	6 5/8	3 5/8	2 5/32	4	7/8	19.5

CROSS REFERENCE TO COMPETITORS PRODUCTS

REPLACES DODGE P2B-SXR			REPLACES NTN UELP2
REPLACES FAFNIR RAS	REPLACES LINK-BELT P34 200N	REPLACES HUB CITY PB221 HW*	

Refer to Interchange Section Page 166 for more detail.
 *-Malleable Casting



Ball Bearings

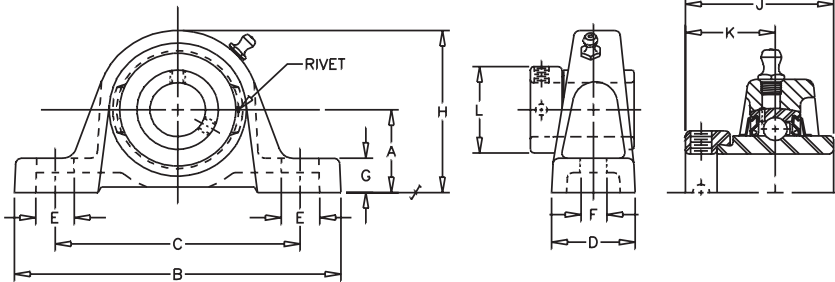
VALUE & QUALITY V
PILLOW BLOCK P
LOW BASE L
ECCENTRIC E

200 2
NORMAL 0
DUTY 0

VPLE-200

Lock: Eccentric
Seal: Contact
Housing: Cast Iron
Temperature: -20°F to 200°F
Self Alignment: ±1.5°
Inserts: VE-200
 Dimensions pg 78
 Ratings pg 79

Bore Size	Fitting
1/2" - 1 1/4" S	1/4" - 28NF
1 1/4" - 2 15/16"	1/8" NPT



SHAFT DIA. IN	UNIT NO.	BRG. NO.	Dimensions in Inches											BOLT SIZE IN.	UNIT WT.
			A	B	C	D	E	F	G	H	J	K	L		
1/2	VPLE-208	VE-208	1 1/16	4 7/8	3 5/8	1 7/32	7/8	7/16	11/32	2 3/32	1 15/32	59/64	1 3/16	3/8	.8
5/8	VPLE-210	VE-210	1 1/4	5	3 25/32	1 11/32	25/32	7/16	15/32	2 15/32	1 23/32	1 3/64	1 5/16	3/8	1.4
3/4	VPLE-212	VE-212	1 1/4	5	3 25/32	1 11/32	25/32	7/16	15/32	2 15/32	1 23/32	1 3/64	1 5/16	3/8	1.4
7/8	VPLE-214	VE-214	1 5/16	5 1/2	4 1/8	1 13/32	13/16	7/16	15/32	2 11/16	1 3/4	1 1/16	1 1/2	3/8	1.7
15/16	VPLE-215	VE-215	1 5/16	5 1/2	4 1/8	1 13/32	13/16	7/16	15/32	2 11/16	1 3/4	1 1/16	1 1/2	3/8	1.7
1	VPLE-216	VE-216	1 5/16	5 1/2	4 1/8	1 13/32	13/16	7/16	15/32	2 11/16	1 3/4	1 1/16	1 1/2	3/8	1.7
1 1/8	VPLE-218	VE-218	1 9/16	6 3/16	4 5/8	1 3/4	15/16	9/16	17/32	3 5/32	1 29/32	1 3/16	1 3/4	1/2	2.8
1 3/16	VPLE-219	VE-219	1 9/16	6 3/16	4 5/8	1 3/4	15/16	9/16	17/32	3 5/32	1 29/32	1 3/16	1 3/4	1/2	2.8
1 1/4	VPLE-220S	VE-220S	1 1/4	5	3 25/32	1 11/32	25/32	7/16	15/32	2 15/32	1 23/32	1 3/64	1 5/16	3/8	1.4
1 1/4	VPLE-220	VE-220	1 13/16	6 3/4	5	1 3/4	7/8	9/16	21/32	3 5/8	2 1/64	1 9/32	2 3/16	1/2	3.7
1 3/8	VPLE-222	VE-222	1 13/16	6 3/4	5	1 3/4	7/8	9/16	21/32	3 5/8	2 1/64	1 9/32	2 3/16	1/2	3.7
1 7/16	VPLE-223	VE-223	1 13/16	6 3/4	5	1 3/4	7/8	9/16	21/32	3 5/8	2 1/64	1 9/32	2 3/16	1/2	3.7
1 1/2	VPLE-224	VE-224	1 15/16	7 1/8	5 3/8	1 15/16	1	9/16	3/4	3 15/16	2 7/32	1 3/8	2 3/8	1/2	4.8
1 5/8	VPLE-226	VE-226	2 1/16	7 3/8	5 21/32	2	29/32	9/16	11/16	4 3/16	2 7/32	1 3/8	2 1/2	1/2	5.6
1 11/16	VPLE-227	VE-227	2 1/16	7 3/8	5 21/32	2	29/32	9/16	11/16	4 3/16	2 7/32	1 3/8	2 1/2	1/2	5.6
1 3/4	VPLE-228	VE-228	2 3/16	8	6 3/16	2 3/16	15/16	11/16	11/16	4 1/2	2 15/32	1 1/2	2 3/4	5/8	6.2
1 15/16	VPLE-231	VE-231	2 3/16	8	6 3/16	2 3/16	15/16	11/16	11/16	4 1/2	2 15/32	1 1/2	2 3/4	5/8	6.2
2	VPLE-232	VE-232	2 7/16	8 13/16	6 15/16	2 5/16	1	11/16	13/16	4 29/32	2 13/16	1 23/32	3	5/8	7.9
2 3/16	VPLE-235	VE-235	2 7/16	8 13/16	6 15/16	2 5/16	1	11/16	13/16	4 29/32	2 13/16	1 23/32	3	5/8	7.9
2 1/4	VPLE-236	VE-236	2 11/16	9 1/2	7 13/32	2 3/8	1 5/32	11/16	13/16	5 1/2	3 1/16	1 27/32	3 3/8	5/8	10.0
2 7/16	VPLE-239	VE-239	2 11/16	9 1/2	7 13/32	2 3/8	1 5/32	11/16	13/16	5 1/2	3 1/16	1 27/32	3 3/8	5/8	10.0
2 11/16	VPLE-243	VE-243	3	10 3/4	8 1/4	2 11/16	1 3/8	13/16	15/16	6 3/16	3 3/8	2 1/32	3 13/16	3/4	18.5
2 15/16	VPLE-247	VE-247	3 1/4	12	9 1/2	2 7/8	1 1/4	15/16	15/16	6 9/16	3 5/8	2 5/32	4	7/8	19.5

⊗ Air Handling (AH) To order specify AH suffix, i.e. VPLE-216 AH, See page 50

CROSS REFERENCE TO COMPETITORS PRODUCTS

REPLACES DODGE P2B-SXRB	REPLACES SKF SYH-WM		REPLACES NTN UEL PL2
REPLACES FAFNIR RAK	REPLACES LINK-BELT PL3Y200N	REPLACES HUB CITY PB 220HW*	

Refer to Interchange Section Page 166 for more detail.
 *-Malleable Casting

See page 156 for trademark acknowledgments.



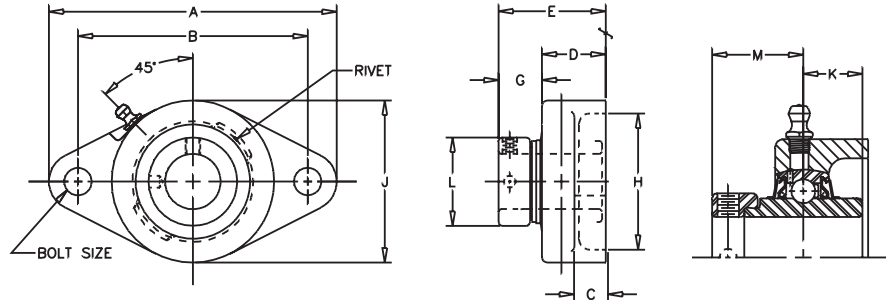
VF2E-200

V VALUE & QUALITY
F FLANGE
2 TWO BOLT
E ECCENTRIC

2 200
0 NORMAL
0 DUTY

Lock: Eccentric
Seal: Contact
Housing: Cast Iron
Temperature: -20°F to 200°F
Self Alignment: ±1.5°
Inserts: VE-200
 Dimensions pg 78
 Ratings pg 79

Bore Size	Fitting
1/2" - 1 1/4" S	1/4" - 28NF
1 1/4" - 2 15/16"	1/8" NPT



SHAFT DIA. IN	UNIT NO.	BRG NO.	Dimensions In Inches											BOLT SIZE IN.	UNIT WT.
			A	B	C	D	E	G	H CORED	J	K	L	M		
1/2	VF2E-208	VE-208	3 7/8	3	1/2	1 1/32	1 43/64	41/64	1 3/4	2 3/8	35/64	1 3/16	59/64	3/8	1.0
5/8	VF2E-210	VE-210													
3/4	VF2E-212	VE-212	4 13/32	3 17/32	1/2	1 5/64	1 51/64	23/32	2	2 3/8	43/64	1 5/16	1 3/64	3/8	1.1
7/8	VF2E-214	VE-214													
15/16	VF2E-215	VE-215	4 7/8	3 57/64	17/32	1 5/64	1 13/16	47/64	2 5/16	2 3/4	11/16	1 1/2	1 1/16	7/16	1.5
1	VF2E-216	VE-216													
1 1/8	VF2E-218	VE-218													
1 3/16	VF2E-219	VE-219	5 9/16	4 19/32	17/32	1 13/64	2	51/64	2 3/4	3 1/8	23/32	1 3/4	1 3/16	7/16	2.1
1 1/4	VF2E-220S	VE-220S													
1 1/4	VF2E-220	VE-220													
1 3/8	VF2E-222	VE-222	6 1/8	5 1/8	5/8	1 1/4	2 1/8	7/8	3 3/16	3 5/8	3/4	2 3/16	1 9/32	1/2	2.9
1 7/16	VF2E-223	VE-223													
1 1/2	VF2E-224	VE-224	6 3/4	5 21/32	5/8	1 13/32	2 5/16	29/32	3 1/2	4 1/8	27/32	2 3/8	1 3/8	1/2	3.8
1 5/8	VF2E-226	VE-226													
1 11/16	VF2E-227	VE-227	7 1/16	5 27/32	5/8	1 13/32	2 5/16	29/32	3 3/4	4 3/8	27/32	2 1/2	1 3/8	9/16	3.9
1 3/4	VF2E-228	VE-228													
1 15/16	VF2E-231	VE-231	7 7/16	6 3/16	11/16	1 39/64	2 5/8	1 1/64	4	4 9/16	31/32	2 3/4	1 1/2	9/16	4.8
2	VF2E-232	VE-232													
2 7/16	VF2E-235	VE-235	8 1/2	7 1/4	13/16	1 49/64	2 31/32	1 13/64	4 1/4	5 1/4	1 3/32	3	1 23/32	5/8	6.2
2 1/4	VF2E-236	VE-236													
2 7/16	VF2E-239	VE-239	9 1/4	7 15/16	13/16	1 31/32	3 1/4	1 9/32	4 3/4	5 7/16	1 7/32	3 3/8	1 27/32	5/8	9.6
2 11/16	VF2E-243	VE-243	10 1/8	8 5/16	13/16	2 3/64	3 1/2	1 29/64	5 1/8	6 1/8	1 11/32	3 13/16	2 1/32	5/8	17.0
2 15/16	VF2E-247	VE-247	10 1/2	8 1/2	1	2 15/64	3 25/32	1 35/64	5 3/4	6 1/2	1 15/32	4	2 5/32	3/4	19.5

CROSS REFERENCE TO COMPETITORS PRODUCTS

REPLACES DODGE F2B-SXR		REPLACES SKF FYT-WM	REPLACES NTN UELFL2 or UELFL U2
REPLACES FAFNIR RCJT	REPLACES LINK-BELT FX3 Y200N	REPLACES HUB CITY FB220 HW*	

Refer to Interchange Section Page 166 for more detail.
 *-Malleable Casting



Ball Bearings

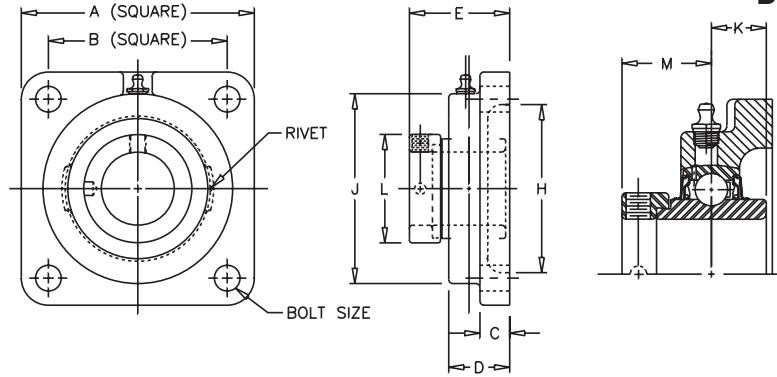
VALUE & QUALITY V
FLANGE F
FOUR BOLT 4
ECCENTRIC E

200 2
NORMAL 0
DUTY 0

VF4E-200

Lock: Eccentric
Seal: Contact
Housing: Cast Iron
Temperature: -20°F to 20°F
Self Alignment: ±1.5°
Inserts: VE-200
 Dimensions pg 78
 Ratings pg 79

Bore Size	Fitting
1/2" - 1 1/4" S	1/4" - 28NF
1 1/4" - 2 15/16"	1/8" NPT



SHAFT DIA. IN	UNIT NO.	BRG. NO.	Dimensions in Inches											BOLT SIZE IN.	UNIT WT.
			A	B	C	D	E	G	H CORED	J	K	L	M		
1/2	VF4E-208	VE-208	3	2 1/8	1/2	7/8	1 33/64	41/64	1 3/4	2 1/8	35/64	1 3/16	59/64	3/8	1.2
5/8	VF4E-210	VE-210	3	2 1/8	1/2	7/8	1 33/64	41/64	1 3/4	2 1/8	35/64	1 3/16	59/64	3/8	1.2
3/4	VF4E-212	VE-212	3 3/8	2 1/2	1/2	1 5/64	1 51/64	23/32	2	2 1/2	43/64	1 5/16	1 3/64	3/8	1.5
7/8	VF4E-214	VE-214	3 3/4	2 3/4	9/16	1 7/64	1 27/32	47/64	2 1/2	2 3/4	11/16	1 1/2	1 1/16	7/16	2.0
15/16	VF4E-215	VE-215	3 3/4	2 3/4	9/16	1 7/64	1 27/32	47/64	2 1/2	2 3/4	11/16	1 1/2	1 1/16	7/16	2.0
1	VF4E-216	VE-216	3 3/4	2 3/4	9/16	1 7/64	1 27/32	47/64	2 1/2	2 3/4	11/16	1 1/2	1 1/16	7/16	2.0
1 1/8	VF4E-218	VE-218	4 1/4	3 1/4	5/8	1 13/64	2	51/64	2 7/8	3 1/8	23/32	1 3/4	1 3/16	7/16	3.0
1 3/16	VF4E-219	VE-219	4 1/4	3 1/4	5/8	1 13/64	2	51/64	2 7/8	3 1/8	23/32	1 3/4	1 3/16	7/16	3.0
1 1/4	VF4E-220S	VE-220S	4 1/4	3 1/4	5/8	1 13/64	2	51/64	2 7/8	3 1/8	23/32	1 3/4	1 3/16	7/16	3.0
1 1/4	VF4E-220	VE-220	4 5/8	3 5/8	21/32	1 1/4	2 1/8	7/8	3 1/4	3 5/8	3/4	2 3/16	1 9/32	1/2	3.8
1 3/8	VF4E-222	VE-222	4 5/8	3 5/8	21/32	1 1/4	2 1/8	7/8	3 1/4	3 5/8	3/4	2 3/16	1 9/32	1/2	3.8
1 7/16	VF4E-223	VE-223	4 5/8	3 5/8	21/32	1 1/4	2 1/8	7/8	3 1/4	3 5/8	3/4	2 3/16	1 9/32	1/2	3.8
1 1/2	VF4E-224	VE-224	5 1/8	4	11/16	1 13/32	2 5/16	29/32	3 1/2	4 1/8	27/32	2 3/8	1 3/8	1/2	5.1
1 5/8	VF4E-226	VE-226	5 3/8	4 1/8	11/16	1 13/32	2 5/16	29/32	3 7/8	4 3/8	27/32	2 1/2	1 3/8	9/16	5.4
1 11/16	VF4E-227	VE-227	5 3/8	4 1/8	11/16	1 13/32	2 5/16	29/32	3 7/8	4 3/8	27/32	2 1/2	1 3/8	9/16	5.4
1 3/4	VF4E-228	VE-228	5 3/8	4 1/8	11/16	1 13/32	2 5/16	29/32	3 7/8	4 3/8	27/32	2 1/2	1 3/8	9/16	5.4
1 15/16	VF4E-231	VE-231	5 5/8	4 3/8	23/32	1 39/64	2 5/8	1 1/64	4	4 9/16	31/32	2 3/4	1 1/2	9/16	5.9
2	VF4E-232	VE-232	6 3/8	5 1/8	25/32	1 49/64	2 31/32	1 13/64	4 1/4	5 1/4	1 3/32	3	1 23/32	5/8	8.2
2 3/16	VF4E-235	VE-235	6 3/8	5 1/8	25/32	1 49/64	2 31/32	1 13/64	4 1/4	5 1/4	1 3/32	3	1 23/32	5/8	8.2
2 1/4	VF4E-236	VE-236	6 7/8	5 5/8	13/16	1 31/32	3 1/4	1 9/32	4 7/8	5 7/16	1 7/32	3 3/8	1 27/32	5/8	9.9
2 7/16	VF4E-239	VE-239	6 7/8	5 5/8	13/16	1 31/32	3 1/4	1 9/32	4 7/8	5 7/16	1 7/32	3 3/8	1 27/32	5/8	9.9
2 11/16	VF4E-243	VE-243	7 3/8	5 7/8	13/16	2 3/64	3 1/2	1 29/64	5 1/8	6 1/8	1 11/32	3 13/16	2 1/32	5/8	17.0
2 15/16	VF4E-247	VE-247	7 3/4	6	1	2 15/64	3 25/32	1 35/64	5 3/4	6 1/2	1 15/32	4	2 5/32	3/4	19.5

CROSS REFERENCE TO COMPETITORS PRODUCTS

REPLACES DODGE F4B-SXR		REPLACES SKF FY-WM	REPLACES NTN UELF2 or UEFLFU2
REPLACES FAFNIR RCJ	REPLACES LINK-BELT F3Y 200N	REPLACES HUB CITY FB 230HW*	

Refer to Interchange Section Page 166 for more detail.
 *-Malleable Casting

See page 156 for trademark acknowledgments.

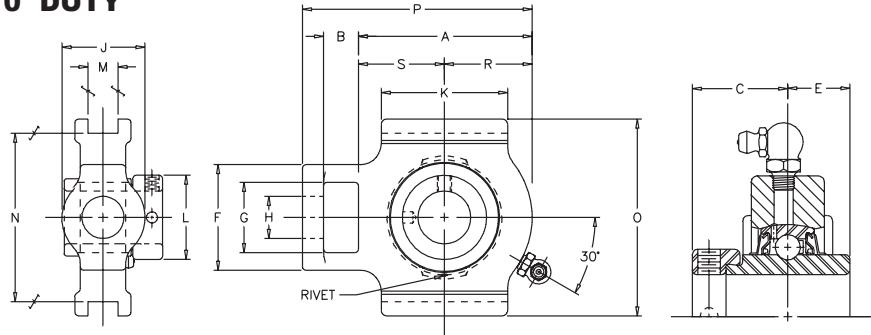
VTWE-200

V VALUE & QUALITY
T TAKE-UP
W WIDE SLOT
E ECCENTRIC

Lock: Eccentric
Seal: Contact
Housing: Cast Iron
Temperature: -20°F to 200°F
Self Alignment: ±1.5°
Inserts: VE-200
 Dimensions pg 78
 Ratings pg 79

2 200
0 NORMAL
0 DUTY

Bore Size	Fitting
1/2" - 1 1/4" S	1/4" - 28NF
1 1/4" - 2 7/16"	1/8" NPT



SHAFT DIA. IN	UNIT NO.	BRG. NO.	Dimensions In Inches																UNIT WT
			A	B	C	E	F	G	H CORE	J HUB	K	L	M	N	O	P	R	S	
3/4	VTWE-212	VE-212	3	5/8	1 3/64	43/64	1 7/8	1 1/4	3/4	1 3/8	2 1/4	1 5/16	17/32	3	3 1/2	4	1 7/16	1 9/16	1.8
7/8	VTWE-214	VE-214																	
15/16	VTWE-215	VE-215	3 3/32	5/8	1 1/16	11/16	1 7/8	1 1/4	3/4	1 1/2	2 1/4	1 1/2	17/32	3	3 1/2	4 3/32	1 9/16	1 17/32	1.9
1	VTWE-216	VE-216																	
1 1/8	VTWE-218	VE-218	3 3/8	3/4	1 3/16	23/32	2 1/8	1 7/16	7/8	1 3/4	2 1/2	1 3/4	17/32	3 1/2	4	4 5/8	1 25/32	1 19/32	2.8
1 3/16	VTWE-219	VE-219																	
1 1/4	VTWE-220	VE-220																	
1 3/8	VTWE-222	VE-222	3 3/4	3/4	1 9/32	3/4	2 1/8	1 7/16	7/8	1 3/4	2 3/4	2 3/16	17/32	3 1/2	4	5	2	1 3/4	3.5
1 7/16	VTWE-223	VE-223																	
1 1/2	VTWE-224	VE-224	4 7/32	3/4	1 3/8	27/32	2 3/4	1 15/16	1 1/8	2 1/8	3 1/4	2 3/8	11/16	4	4 1/2	5 19/32	2 3/16	2 1/32	5.2
1 5/8	VTWE-226	VE-226																	
1 11/16	VTWE-227	VE-227	4 3/8	3/4	1 3/8	27/32	2 3/4	1 15/16	1 1/8	2 1/8	3 1/4	2 1/2	11/16	4	4 1/2	5 3/4	2 1/4	2 1/8	5.8
1 3/4	VTWE-228	VE-228																	
1 15/16	VTWE-231	VE-231	4 17/32	3/4	1 1/2	31/32	2 3/4	1 15/16	1 1/8	2 1/8	3 3/8	2 3/4	11/16	4	4 1/2	5 29/32	2 5/16	2 7/32	6.1
2	VTWE-232	VE-232																	
2 3/16	VTWE-235	VE-235	5 3/32	1	1 23/32	1 3/32	3 5/8	2 1/2	1 3/8	2 1/2	3 3/4	3	1 1/16	5 1/8	5 3/4	6 27/32	2 9/16	2 17/32	8.7
2 7/16	VTWE-239	VE-239	5 1/2	1	1 27/32	1 7/32	3 5/8	2 1/2	1 3/8	2 1/2	4	3 3/8	1 1/16	5 1/8	5 3/4	7 1/4	2 27/32	2 21/32	9.6

CROSS REFERENCE TO COMPETITORS PRODUCTS

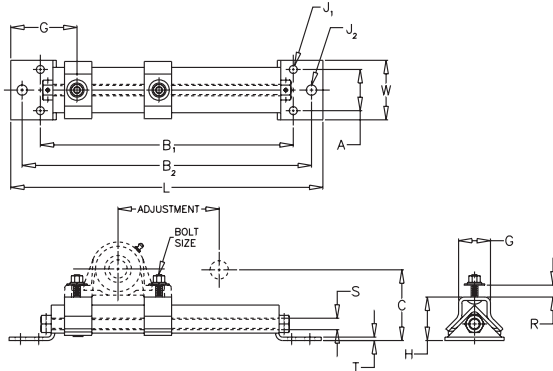
REPLACES DODGE WSTU-SXR		REPLACES SKF TBY-WM	
REPLACES FAFNIR RTU			

Refer to Interchange Section Page 166 for more detail.



Ball Bearings

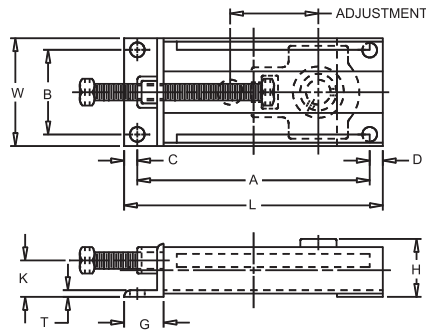
TU-FRAMES



TOP FLANGE
Bearings
Sold
Separately

TF
PROTECTED
SCREW
TAKEUP
FRAME

FRAME PART NO.	BORE RANGE	Nominal Adjustment	Dimensions In Inches													BOLT SIZE	UNIT WT.
			L	W	A	B1	B2	G	H	J1	J2	C	R	S	T		
6TF16	3/4-1	6	17 1/8	3 1/4	2 1/4	13 7/8	15 7/8	3 5/16	2 3/8	7/16	9/16	1 3/4	9/16	5/8	3/16	3/8	6.0
9TF16	3/4-1	9	20 1/8	3 1/4	2 1/4	16 7/8	18 7/8	3 5/16	2 3/8	7/16	9/16	1 3/4	9/16	5/8	3/16	3/8	6.7
6TF31	1 1/16-1 15/16	6	18 3/16	3 1/2	2 1/2	15 7/16	16 15/16	3 3/8	2 13/16	7/16	9/16	2 5/16	7/8	3/4	3/16	1/2	8.9
9TF31	1 1/16-1 15/16	9	22 5/8	3 1/2	2 1/2	19 7/8	21 3/8	3 3/8	2 13/16	7/16	9/16	2 5/16	7/8	3/4	3/16	1/2	10.3
12TF31	1 1/16-1 15/16	12	24 3/16	3 1/2	2 1/2	21 7/16	22 15/16	3 3/8	2 13/16	7/16	9/16	2 5/16	7/8	3/4	3/16	1/2	10.9
18TF31	1 1/16-1 15/16	18	31 5/8	3 1/2	2 1/2	28 7/8	30 3/8	3 3/8	2 13/16	7/16	9/16	2 5/16	7/8	3/4	3/16	1/2	13.3
12TF39	2-2 7/16	12	28	4 1/2	3	24 3/4	26 3/4	4	3 5/16	9/16	11/16	2 5/8	15/16	1	1/4	5/8	18.3
18TF39	2-2 7/16	18	34	4 1/2	3	30 3/4	32 3/4	4	3 5/16	9/16	11/16	2 5/8	15/16	1	1/4	5/8	21.2



SIDE FLANGE
Bearings
Sold
Separately

SF
CENTER
PULL
TAKEUP
FRAME

FRAME PART NO.	BORE RANGE	Adjustment	Dimensions In Inches											BOLT HOLES		UNIT WT.
			L	W	A	B	C	D	G	H Locking Type		K	T	No.	SIZE	
	Set Screw	Eccentric lock														
1SF10	1/2 - 1	1 1/2	7	4 1/16	6	3 3/16	1/2	1/2	1 1/2	2 7/16	2 25/32	1 3/8	1/4	3	9/16	3.3
3SF16	1/2 - 1	3	8 1/2	4 1/16	7 1/2	3 3/16	1/2	1/2	1 1/2	2 7/16	2 25/32	1 3/8	1/4	3	9/16	3.9
6SF16	1/2 - 1	6	11 1/2	4 1/16	10 1/2	3 3/16	1/2	1/2	1 1/2	2 7/16	2 25/32	1 3/8	1/4	3	9/16	5.1
9SF16	1/2 - 1	9	14 1/2	4 1/16	13 1/2	3 3/16	1/2	1/2	1 1/2	2 7/16	2 25/32	1 3/8	1/4	3	9/16	6.2
3SF23	1 1/8 - 1 7/16	3	9 3/8	4 11/16	8 3/8	3 11/16	1/2	1/2	1 1/2	2 31/32	3 19/64	1 3/8	1/4	3	9/16	5.4
6SF23	1 1/8 - 1 7/16	6	12 3/8	4 11/16	11 3/8	3 11/16	1/2	1/2	1 1/2	2 31/32	3 19/64	1 3/8	1/4	3	9/16	6.7
9SF23	1 1/8 - 1 7/16	9	15 3/8	4 11/16	14 3/8	3 11/16	1/2	1/2	1 1/2	2 31/32	3 19/64	1 3/8	1/4	3	9/16	8.1
12SF23	1 1/8 - 1 7/16	12	18 3/8	4 11/16	17 3/8	3 11/16	1/2	1/2	1 1/2	2 31/32	3 19/64	1 3/8	1/4	3	9/16	9.5
3SF31	1 1/2 - 1 15/16	3	11	5 1/16	9 7/8	3 1/16	1/2	5/8	1 1/2	3 1/8	3 11/32	1 5/8	1/4	4	9/16	7.4
6SF31	1 1/2 - 1 15/16	6	14	5 1/16	12 7/8	3 1/16	1/2	5/8	1 1/2	3 1/8	3 11/32	1 5/8	1/4	4	9/16	9.1
9SF31	1 1/2 - 1 15/16	9	17	5 1/16	15 7/8	3 1/16	1/2	5/8	1 1/2	3 1/8	3 11/32	1 5/8	1/4	4	9/16	10.8
12SF31	1 1/2 - 1 15/16	12	20	5 1/16	18 7/8	3 1/16	1/2	5/8	1 1/2	3 1/8	3 11/32	1 5/8	1/4	4	9/16	12.5
18SF31	1 1/2 - 1 15/16	18	26	5 1/16	24 7/8	3 1/16	1/2	5/8	1 1/2	3 1/8	3 11/32	1 5/8	1/4	4	9/16	15.9
9SF39	2 - 2 7/16	9	18 1/4	6 3/8	16 7/8	4 1/8	5/8	3/4	1 1/2	3 23/32	4 1/8	1 7/8	5/16	4	11/16	20.0
12SF39	2 - 2 7/16	12	22 1/4	6 3/8	19 7/8	4 1/8	5/8	3/4	1 1/2	3 23/32	4 1/8	1 7/8	5/16	4	11/16	22.8
18SF39	2 - 2 7/16	18	27 1/4	6 3/8	25 7/8	4 1/8	5/8	3/4	1 1/2	3 23/32	4 1/8	1 7/8	5/16	4	11/16	28.2

See page 156 for trademark acknowledgments.



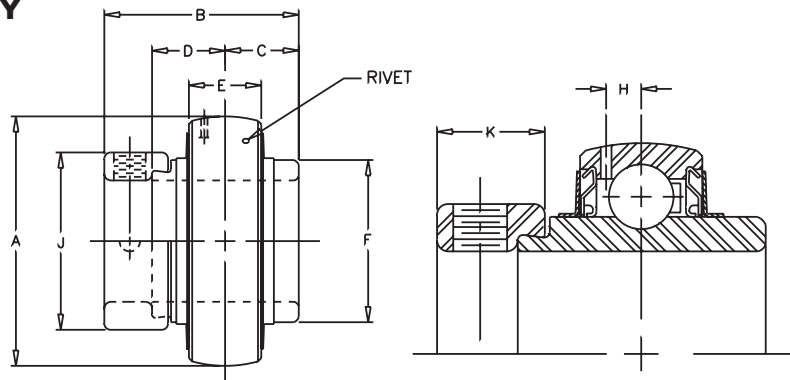
VE-200

Lock: Eccentric
 Seal: Contact
 Temperature: -20°F to 200°F
 Ratings: Page 79

V VALUE & QUALITY
E ECCENTRIC
2 200
0 NORMAL
0 DUTY

Browning®

Ball Bearings



SHAFT DIA. IN	BRG NO.	Dimensions In Inches									SET SCREW TAP	UNIT WT.
		A	B	C	D	E	F	H	J	K		
1/2	VE-208	40MM	1 15/32	35/64	35/64	33/64	31/32	9/64	1 3/16	17/32	1/4-28	.6
5/8	VE-210	1.5748										
3/4	VE-212	47MM 1.8504	1 23/32	43/64	43/64	19/32	1 3/16	5/32	1 5/16	17/32	1/4-28	.6
7/8	VE-214	52MM	1 3/4	11/16	11/16	19/32	1 3/8	5/32	1 1/2	17/32	1/4-28	.8
15/16	VE-215	2.0472										
1	VE-216											
1 1/8	VE-218	62MM	1 29/32	23/32	23/32	45/64	1 19/32	13/64	1 3/4	5/8	5/16-24	1.1
1 3/16	VE-219	2.4409										
1 1/4	VE-220S											
1 1/4	VE-220	72MM	2 1/64	3/4	3/4	3/4	1 55/64	15/64	2 3/16	11/16	3/8-24	1.4
1 3/8	VE-222	2.8346										
1 7/16	VE-223											
1 1/2	VE-224	80MM 3.1496	2 7/32	27/32	27/32	55/64	2 1/16	17/64	2 3/8	23/32	3/8-24	1.7
1 5/8	VE-226											
1 11/16	VE-227	85MM	2 7/32	27/32	27/32	55/64	2 19/64	17/64	2 1/2	23/32	3/8-24	1.8
1 3/4	VE-228	3.3465										
1 15/16	VE-231	90MM 3.5433	2 15/32	31/32	31/32	29/32	2 15/32	9/32	2 3/4	23/32	3/8-24	2.3
2	VE-232	100MM	2 13/16	1 3/32	1 3/32	63/64	2 23/32	5/16	3	13/16	7/16-20	3.0
2 3/16	VE-235	3.9370										
2 1/4	VE-236	110MM	3 1/16	1 7/32	1 7/32	1 1/16	2 63/64	11/32	3 3/8	7/8	7/16-20	4.0
2 7/16	VE-239	4.3307										
2 11/16	VE-243	125MM 4.9213	3 3/8	1 11/32	1 11/32	1 7/64	3 7/16	3/8	3 13/16	15/16	1/2-20	5.7
2 15/16	VE-247	130MM 5.1181	3 5/8	1 15/32	1 15/32	1 9/64	3 41/64	3/8	4	15/16	1/2-20	6.3

CROSS REFERENCE TO COMPETITORS PRODUCTS

For insert interchange information, contact EPT Mounted Bearing Technical Support.
 See page 260 for contact information.



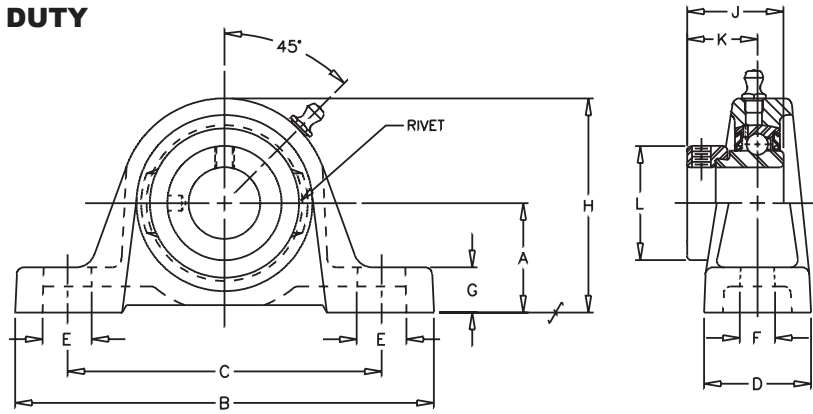
VPE-100

Lock: Eccentric
Seal: Contact
Housing: Cast Iron
Temperature: -20°F to 200°F
Self Alignment: ±1.5°
Inserts: VE-100
 Dimensions pg 98
 Ratings pg 99

Bore Size	Fitting
1/2" - 1 1/4" S	1/4" - 28NF
1 1/4" - 2 3/16"	1/8" NPT

V VALUE & QUALITY
P PILLOW BLOCK
E ECCENTRIC

1 100
0 INTERMEDIATE
0 DUTY



SHAFT DIA. IN	UNIT NO.	BRG NO.	Dimensions in Inches											BOLT SIZE IN.	UNIT WT.
			A	B	C	D	E	F	G	H	J	K	L		
1/2	VPE-108	VE-108	1 3/16	4 7/8	3 5/8	1 7/32	7/8	7/16	15/32	2 7/32	1 3/16	7/8	1 3/16	3/8	1.0
5/8	VPE-110	VE-110	1 3/16	4 7/8	3 5/8	1 7/32	7/8	7/16	15/32	2 7/32	1 3/16	7/8	1 3/16	3/8	1.0
3/4	VPE-112	VE-112	1 5/16	5	3 25/32	1 11/32	25/32	7/16	17/32	2 17/32	1 17/64	59/64	1 5/16	3/8	1.5
7/8	VPE-114	VE-114	1 7/16	5 1/2	4 1/8	1 13/32	13/16	7/16	19/32	2 13/16	1 17/64	59/64	1 1/2	3/8	1.8
15/16	VPE-115	VE-115	1 7/16	5 1/2	4 1/8	1 13/32	13/16	7/16	19/32	2 13/16	1 17/64	59/64	1 1/2	3/8	1.8
1	VPE-116	VE-116	1 7/16	5 1/2	4 1/8	1 13/32	13/16	7/16	19/32	2 13/16	1 17/64	59/64	1 1/2	3/8	1.8
1 1/8	VPE-118	VE-118	1 11/16	6 3/16	4 5/8	1 3/4	15/16	9/16	21/32	3 9/32	1 27/64	1 3/64	1 3/4	1/2	2.9
1 3/16	VPE-119	VE-119	1 11/16	6 3/16	4 5/8	1 3/4	15/16	9/16	21/32	3 9/32	1 27/64	1 3/64	1 3/4	1/2	2.9
1 1/4	VPE-120S	VE-120S	1 11/16	6 3/16	4 5/8	1 3/4	15/16	9/16	21/32	3 9/32	1 27/64	1 3/64	1 3/4	1/2	2.9
1 1/4	VPE-120	VE-120	1 7/8	6 3/4	5	1 3/4	7/8	9/16	23/32	3 11/16	1 37/64	1 5/32	2 3/16	1/2	3.8
1 3/8	VPE-122	VE-122	1 7/8	6 3/4	5	1 3/4	7/8	9/16	23/32	3 11/16	1 37/64	1 5/32	2 3/16	1/2	3.8
1 7/16	VPE-123	VE-123	1 7/8	6 3/4	5	1 3/4	7/8	9/16	23/32	3 11/16	1 37/64	1 5/32	2 3/16	1/2	3.8
1 1/2	VPE-124	VE-124	2	7 1/8	5 3/8	1 15/16	1	9/16	13/16	4	1 49/64	1 9/32	2 3/8	1/2	5.0
1 11/16	VPE-127	VE-127	2 1/8	7 3/8	5 21/32	2	29/32	9/16	3/4	4 1/4	1 49/64	1 9/32	2 1/2	1/2	5.7
1 3/4	VPE-128	VE-128	2 1/8	7 3/8	5 21/32	2	29/32	9/16	3/4	4 1/4	1 49/64	1 9/32	2 1/2	1/2	5.7
1 15/16	VPE-131	VE-131	2 1/4	8	6 3/16	2 3/16	15/16	11/16	3/4	4 9/16	1 25/32	1 9/32	2 3/4	5/8	6.3
2	VPE-132S	VE-132S	2 1/4	8	6 3/16	2 3/16	15/16	11/16	3/4	4 9/16	1 25/32	1 9/32	2 3/4	5/8	6.3
2	VPE-132	VE-132	2 1/2	8 13/16	6 15/16	2 5/16	1	11/16	7/8	4 31/32	1 63/64	1 7/16	3	5/8	8.1
2 3/16	VPE-135	VE-135	2 1/2	8 13/16	6 15/16	2 5/16	1	11/16	7/8	4 31/32	1 63/64	1 7/16	3	5/8	8.1

CROSS REFERENCE TO COMPETITORS PRODUCTS

REPLACES DODGE P2B-SXV		REPLACES SKF SY-FM	REPLACES NTN JELP2
REPLACES FAFNIR VAS	REPLACES LINK-BELT P3-W200U	REPLACES HUB CITY PB 221	REPLACES BOSTON H

Refer to Interchange Section Page 166 for more detail.



Ball Bearings

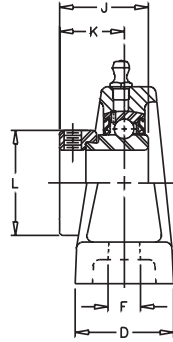
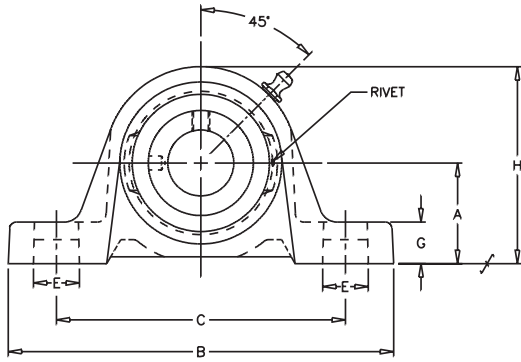
VALUE & QUALITY V
PILLOW BLOCK P
LOW BASE L
ECCENTRIC E

100 1
INTERMEDIATE 0
DUTY 0

VPLE-100

Lock: Eccentric
Seal: Contact
Housing: Cast Iron
Temperature: -20°F to 20°F
Self Alignment: ±1.5°
Inserts: VE-100
 Dimensions pg 98
 Ratings pg 99

Bore Size	Fitting
1/2" - 1 1/4" S	1/4" - 28NF
1 1/4" - 2 3/16"	1/8" NPT



SHAFT DIA. IN	UNIT NO.	BRG. NO.	Dimensions in Inches											BOLT SIZE IN.	UNIT WT.
			A	B	C	D	E	F	G	H	J	K	L		
1/2	VPLE-108	VE-108	1 1/16	4 7/8	3 5/8	1 7/32	7/8	7/16	11/32	2 3/32	1 3/16	7/8	1 3/16	3/8	.8
5/8	VPLE-110	VE-110	1 1/16	4 7/8	3 5/8	1 7/32	7/8	7/16	11/32	2 3/32	1 3/16	7/8	1 3/16	3/8	.8
3/4	VPLE-112	VE-112	1 1/4	5	3 25/32	1 11/32	25/32	7/16	15/32	2 15/32	1 17/64	59/64	1 5/16	3/8	1.4
7/8	VPLE-114	VE-114	1 5/16	5 1/2	4 1/8	1 13/32	13/16	7/16	15/32	2 11/16	1 17/64	59/64	1 1/2	3/8	1.7
15/16	VPLE-115	VE-115	1 5/16	5 1/2	4 1/8	1 13/32	13/16	7/16	15/32	2 11/16	1 17/64	59/64	1 1/2	3/8	1.7
1	VPLE-116	VE-116	1 5/16	5 1/2	4 1/8	1 13/32	13/16	7/16	15/32	2 11/16	1 17/64	59/64	1 1/2	3/8	1.7
1 1/8	VPLE-118	VE-118	1 9/16	6 3/16	4 5/8	1 3/4	15/16	9/16	17/32	3 5/32	1 27/64	1 3/64	1 3/4	1/2	2.8
1 3/16	VPLE-119	VE-119	1 9/16	6 3/16	4 5/8	1 3/4	15/16	9/16	17/32	3 5/32	1 27/64	1 3/64	1 3/4	1/2	2.8
1 1/4	VPLE-120S	VE-120S	1 9/16	6 3/16	4 5/8	1 3/4	15/16	9/16	17/32	3 5/32	1 27/64	1 3/64	1 3/4	1/2	2.8
1 1/4	VPLE-120	VE-120	1 13/16	6 3/4	5	1 3/4	7/8	9/16	21/32	3 5/8	1 37/64	1 5/32	2 3/16	1/2	3.7
1 3/8	VPLE-122	VE-122	1 13/16	6 3/4	5	1 3/4	7/8	9/16	21/32	3 5/8	1 37/64	1 5/32	2 3/16	1/2	3.7
1 7/16	VPLE-123	VE-123	1 13/16	6 3/4	5	1 3/4	7/8	9/16	21/32	3 5/8	1 37/64	1 5/32	2 3/16	1/2	3.7
1 1/2	VPLE-124	VE-124	1 15/16	7 1/8	5 3/8	1 15/16	1	9/16	3/4	3 15/16	1 49/64	1 9/32	2 3/8	1/2	4.8
1 11/16	VPLE-127	VE-127	2 1/16	7 3/8	5 21/32	2	29/32	9/16	11/16	4 3/16	1 49/64	1 9/32	2 1/2	1/2	5.6
1 3/4	VPLE-128	VE-128	2 1/16	7 3/8	5 21/32	2	29/32	9/16	11/16	4 3/16	1 49/64	1 9/32	2 1/2	1/2	5.6
1 15/16	VPLE-131	VE-131	2 3/16	8	6 3/16	2 3/16	15/16	11/16	11/16	4 1/2	1 25/32	1 9/32	2 3/4	5/8	6.2
2	VPLE-132S	VE-132S	2 3/16	8	6 3/16	2 3/16	15/16	11/16	11/16	4 1/2	1 25/32	1 9/32	2 3/4	5/8	6.2
2	VPLE-132	VE-132	2 7/16	8 13/16	6 15/16	2 5/16	1	11/16	13/16	4 29/32	1 63/64	1 7/16	3	5/8	7.9
2 3/16	VPLE-135	VE-135	2 7/16	8 13/16	6 15/16	2 5/16	1	11/16	13/16	4 29/32	1 63/64	1 7/16	3	5/8	7.9

CROSS REFERENCE TO COMPETITORS PRODUCTS

REPLACES DODGE P2B-SXVB		REPLACES SKF SYH-FM	REPLACES NTN AELPL2 or JELPL2
REPLACES FAFNIR VAK	REPLACES LINK-BELT PL3-W200U	REPLACES HUB CITY PB 220	REPLACES BOSTON L

Refer to Interchange Section Page 166 for more detail.

See page 156 for trademark acknowledgments.



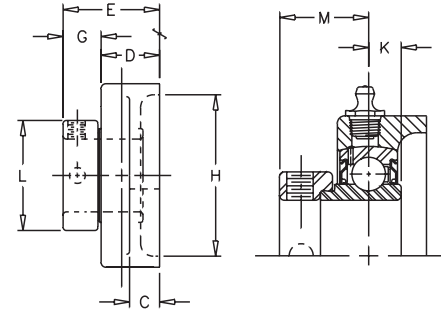
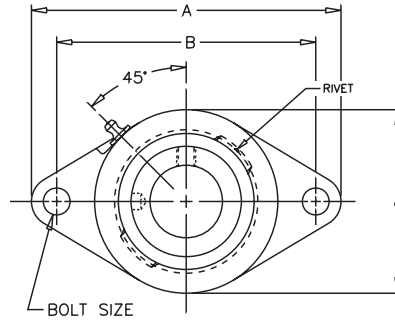
VF2E-100

Lock: Eccentric
Seal: Contact
Housing: Cast Iron
Temperature: -20°F to 200°F
Self Alignment: ±1.5°
Inserts: VE-100
 Dimensions pg 98
 Ratings pg 99

V VALUE & QUALITY
F FLANGE
2 TWO BOLT
E ECCENTRIC

1 100
0 INTERMEDIATE
0 DUTY

Bore Size	Fitting
1/2" - 1 1/4" S	1/4" - 28NF
1 1/4" - 2 3/16"	1/8" NPT



SHAFT DIA. IN.	UNIT NO.	BRG. NO.	Dimensions in Inches											BOLT SIZE IN.	UNIT WT.	
			A	B	BOLT C	D	E	G	H CORED	J	K	L	M			
1/2	VF2E-108	VE-108														
5/8	VF2E-110	VE-110	3 7/8	3	3/8	23/32	1 21/64	39/64	1 3/4	2 1/8	5/16	1 3/16	7/8	3/8	1.0	
3/4	VF2E-112	VE-112	4 13/32	3 17/32	7/16	57/64	1 31/64	19/32	2	2 1/2	11/32	1 5/16	59/64	3/8	1.1	
7/8	VF2E-114	VE-114														
15/16	VF2E-115	VE-115	4 7/8	3 57/64	1/2	61/64	1 35/64	19/32	2 5/16	2 3/4	11/32	1 1/2	59/64	7/16	1.5	
1	VF2E-116	VE-116														
1 1/8	VF2E-118	VE-118														
1 3/16	VF2E-119	VE-119	5 9/16	4 19/32	17/32	1 5/64	1 47/64	21/32	2 3/4	3 1/8	3/8	1 3/4	1 3/64	7/16	1.9	
1 1/4	VF2E-120S	VE-120S														
1 1/4	VF2E-120	VE-120														
1 3/8	VF2E-122	VE-122	6 1/8	5 1/8	19/32	1 5/32	1 29/32	3/4	3 3/16	3 5/8	27/64	2 3/16	1 5/32	1/2	2.8	
1 7/16	VF2E-123	VE-123														
1 1/2	VF2E-124	VE-124	6 3/4	5 21/32	5/8	1 19/64	2 7/64	13/16	3 1/2	4 1/8	31/64	2 3/8	1 9/32	1/2	3.6	
1 11/16	VF2E-127	VE-127														
1 3/4	VF2E-128	VE-128	7 1/16	5 27/32	5/8	1 21/64	2 5/32	13/16	3 3/4	4 3/8	31/64	2 1/2	1 9/32	9/16	3.8	
1 15/16	VF2E-131	VE-131														
2	VF2E-132S	VE-132S	7 7/16	6 3/16	5/8	1 23/64	2 5/32	51/64	4	4 9/16	1/2	2 3/4	1 9/32	9/16	4.5	
2	VF2E-132	VE-132														
2 3/16	VF2E-135	VE-135	8 1/2	7 1/4	13/16	1 33/64	2 7/16	59/64	4 1/4	5 1/4	35/64	3	1 7/16	5/8	6.1	

CROSS REFERENCE TO COMPETITORS PRODUCTS

REPLACES DODGE F2B-SXV		REPLACES SKF FYT-FM	
REPLACES FAFNIR VCJT	REPLACES LINK-BELT FX3-W200U	REPLACES HUB CITY FB 230	REPLACES BOSTON T*

Refer to Interchange Section Page 166 for more detail.
 *-Check length through bore



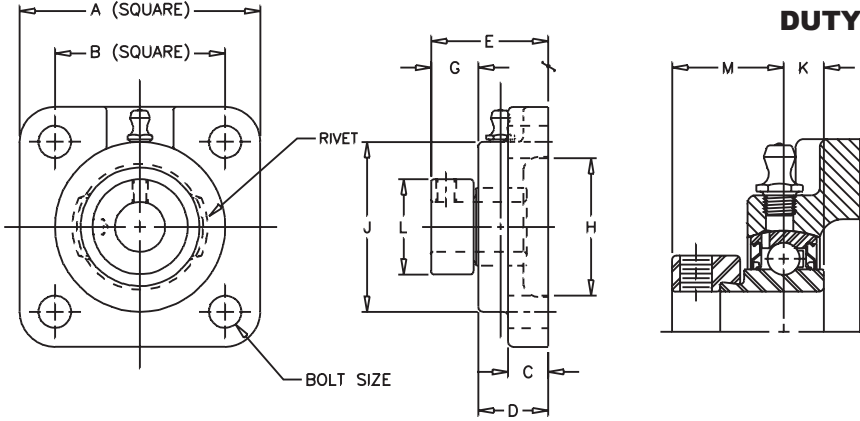
Ball Bearings

VALUE & QUALITY V
FLANGE F
4 BOLT 4
ECCENTRIC E

VF4E-100

Lock: Eccentric
Seal: Contact
Housing: Cast Iron
Temperature: -20°F to 200°F
Self Alignment: ±1.5°
Inserts: VE-100
 Dimensions pg 98
 Ratings pg 99

100 1
INTERMEDIATE 0
DUTY 0



Bore Size	Fitting
1/2" - 1 1/4" S	1/4" - 28NF
1 1/4" - 2 3/16"	1/8" NPT

SHAFT DIA. IN.	UNIT NO.	BRG. NO.	Dimensions in Inches											BOLT SIZE IN.	UNIT WT.		
			A	B	C	D	E	G	H	J	K	L	M				
1/2	VF4E-108	VE-108															
5/8	VF4E-110	VE-110	3	2 1/8	3/8	23/32	1 21/64	39/64	1 3/4	2 1/8	5/16	1 3/16	7/8	3/8	1.1		
3/4	VF4E-112	VE-112	3 3/8	2 1/2	7/16	57/64	1 31/64	19/32	2	2 1/2	11/32	1 5/16	59/64	3/8	1.4		
7/8	VF4E-114	VE-114															
15/16	VF4E-115	VE-115	3 3/4	2 3/4	1/2	61/64	1 35/64	19/32	2 1/2	2 3/4	11/32	1 1/2	59/64	7/16	1.8		
1	VF4E-116	VE-116															
1 1/8	VF4E-118	VE-118															
1 3/16	VF4E-119	VE-119	4 1/4	3 1/4	17/32	1 5/64	1 47/64	21/32	2 7/8	3 1/8	3/8	1 3/4	1 3/64	7/16	2.6		
1 1/4	VF4E-120S	VE-120S															
1 1/4	VF4E-120	VE-120															
1 3/8	VF4E-122	VE-122	4 5/8	3 5/8	19/32	1 5/32	1 29/32	3/4	3 1/4	3 5/8	27/64	2 3/16	1 5/32	1/2	3.6		
1 7/16	VF4E-123	VE-123															
1 1/2	VF4E-124	VE-124	5 1/8	4	5/8	1 19/64	2 7/64	13/16	3 1/2	4 1/8	31/64	2 3/8	1 9/32	1/2	4.7		
1 11/16	VF4E-127	VE-127															
1 3/4	VF4E-128	VE-128	5 3/8	4 1/8	5/8	1 21/64	2 9/64	13/16	3 7/8	4 3/8	31/64	2 1/2	1 9/32	9/16	5.0		
1 15/16	VF4E-131	VE-131															
2	VF4E-132S	VE-132S	5 5/8	4 3/8	5/8	1 23/64	2 5/32	51/64	4	4 9/16	1/2	2 3/4	1 9/32	9/16	5.6		
2	VF4E-132	VE-132															
2 3/16	VF4E-135	VE-135	6 3/8	5 1/8	13/16	1 33/64	2 7/16	59/64	4 1/4	5 1/4	35/64	3	1 7/16	5/8	7.7		

CROSS REFERENCE TO COMPETITORS PRODUCTS

REPLACES DODGE F4B-SXV		REPLACES SKF FY-FM	
REPLACES FAFNIR VCJ	REPLACES LINK-BELT F3-W200U	REPLACES HUB CITY FB220	REPLACES BOSTON F*

Refer to Interchange Section Page 166 for more detail.
 *-Check length through bore ("E" dimension)

See page 156 for trademark acknowledgments.



100

Browning®

Ball Bearings

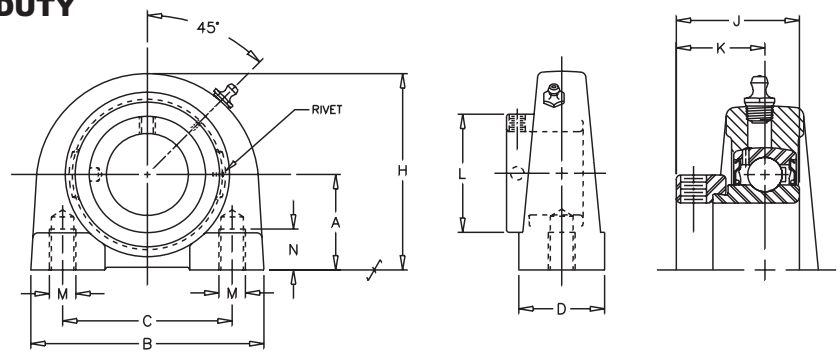
VTBE-100

Lock: Eccentric
Seal: Contact
Housing: Cast Iron
Temperature: -20°F to 200°F
Self Alignment: ±1.5°
Inserts: VE-100
 Dimensions pg 98
 Ratings pg 99

V VALUE & QUALITY
T TAPPED
B BASE
E ECCENTRIC

1 100
0 INTERMEDIATE
0 DUTY

Bore Size	Fitting
3/4" - 1 1/4" S	1/4" - 28NF
1 1/4" - 2"	1/8" NPT



SHAFT DIA. IN.	UNIT NO.	BRG. NO.	Dimensions In Inches								M BLOT HOLES UNC-THREAD	N MIN TAP DEPTH	UNIT WT.
			A	B	C	D	H	J	K	L			
3/4	VTBE-112	VE-112	1 5/16	2 7/8	2	1 1/2	2 9/16	1 17/64	59/64	1 5/16	3/8-16	1/2	1.5
7/8	VTBE-114	VE-114											
15/16	VTBE-115	VE-115	1 7/16	3	2	1 1/2	2 13/16	1 17/64	59/64	1 1/2	3/8-16	1/2	1.6
1	VTBE-116	VE-116											
1 1/8	VTBE-118	VE-118											
1 3/16	VTBE-119	VE-119	1 11/16	4	3	1 1/2	3 3/8	1 27/64	1 3/64	1 3/4	7/16-14	5/8	2.5
1 1/4	VTBE-120S	VE-120S											
1 1/4	VTBE-120	VE-120											
1 3/8	VTBE-122	VE-122	1 7/8	4 1/4	3 1/4	1 7/8	3 3/4	1 37/64	1 5/32	2 3/16	1/2-13	3/4	3.4
1 7/16	VTBE-123	VE-123											
1 1/2	VTBE-124	VE-124	1 15/16	4 5/8	3 1/2	1 7/8	3 15/16	1 49/64	1 9/32	2 3/8	1/2-13	3/4	3.8
1 11/16	VTBE-127	VE-127	2 1/8	5	3 3/4	2	4 1/4	1 49/64	1 9/32	2 1/2	1/2-13	3/4	4.7
1 3/4	VTBE-128	VE-128											
1 15/16	VTBE-131	VE-131	2 1/4	5 1/2	4	2	4 5/8	1 25/32	1 9/32	2 3/4	5/8-11	7/8	5.7
2	VTBE-132S	VE-132S											

CROSS REFERENCE TO COMPETITORS PRODUCTS

REPLACES FAFNIR VTB			

Refer to Interchange Section Page 166 for more detail.

See page 156 for trademark acknowledgments.



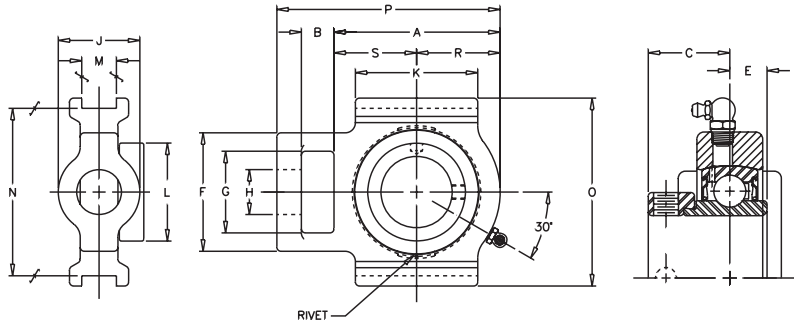
Ball Bearings

VALUE & QUALITY V
TAKE-UP T
WIDE SLOT W
ECCENTRIC E

100 1
INTERMEDIATE 0
DUTY 0

VTWE-100

Lock: Eccentric
Seal: Contact
Housing: Cast Iron
Temperature: -20°F to 200°F
Self Alignment: ±1.5°
Inserts: VE-100
Dimensions pg 98
Ratings pg 99



Bore Size	Fitting
3/4" - 1 1/4" S	1/4" - 28NF
1 1/4" - 2 3/16"	1/8" NPT

SHAFT DIA. IN	UNIT NO.	BRG NO.	Dimensions In Inches															UNIT WT	
			A	B	C	E	F	G	H CORE	J HUB	K	L	M	N	O	P	R		S
3/4	VTWE-112	VE-112	3	5/8	59/64	11/32	1 7/8	1 1/4	3/4	1 3/8	2 1/4	1 5/16	17/32	3	3 1/2	4	1 7/16	1 9/16	1.8
7/8	VTWE-114	VE-114																	
15/16	VTWE-115	VE-115	3 3/32	5/8	59/64	11/32	1 7/8	1 1/4	3/4	1 1/2	2 1/4	1 1/2	17/32	3	3 1/2	4 3/32	1 9/16	1 17/32	1.9
1	VTWE-116	VE-116																	
1 1/8	VTWE-118	VE-118																	
1 3/16	VTWE-119	VE-119	3 3/8	3/4	1 3/64	3/8	2 1/8	1 7/16	7/8	1 3/4	2 1/2	1 3/4	17/32	3 1/2	4	4 5/8	1 25/32	1 19/32	2.8
1 1/4	VTWE-120S	VE-120S																	
1 1/4	VTWE-120	VE-120																	
1 3/8	VTWE-122	VE-122	3 3/4	3/4	1 5/32	27/64	2 1/8	1 7/16	7/8	1 3/4	2 3/4	2 3/16	17/32	3 1/2	4	5	2	1 3/4	3.5
1 7/16	VTWE-123	VE-123																	
1 1/2	VTWE-124	VE-124	4 7/32	3/4	1 9/32	31/64	2 3/4	1 15/16	1 1/8	2 1/8	3 1/4	2 3/8	11/16	4	4 1/2	5 19/32	2 3/16	2 1/32	5.2
1 11/16	VTWE-127	VE-127	4 3/8	3/4	1 9/32	31/64	2 3/4	1 15/16	1 1/8	2 1/8	3 1/4	2 1/2	11/16	4	4 1/2	5 3/4	2 1/4	2 1/8	5.8
1 3/4	VTWE-128	VE-128																	
1 15/16	VTWE-131	VE-131	4 17/32	3/4	1 9/32	1/2	2 3/4	1 15/16	1 1/8	2 1/8	3 3/8	2 3/4	11/16	4	4 1/2	5 29/32	2 5/16	2 7/32	6.1
2	VTWE-132S	VE-132S																	
2	VTWE-132	VE-132	5 3/32	1	1 7/16	35/64	3 5/8	2 1/2	1 3/8	2 1/2	3 3/4	3	1 1/16	5 1/8	5 3/4	6 27/32	2 9/16	2 17/32	8.7
2 3/16	VTWE-135	VE-135																	

CROSS REFERENCE TO COMPETITORS PRODUCTS

REPLACES DODGE WSTU-SXV		REPLACES SKF TBY-FM	
REPLACES FAFNIR VTU		REPLACES HUB CITY WSTU 220	

Refer to Interchange Section Page 166 for more detail.

See page 156 for trademark acknowledgments.



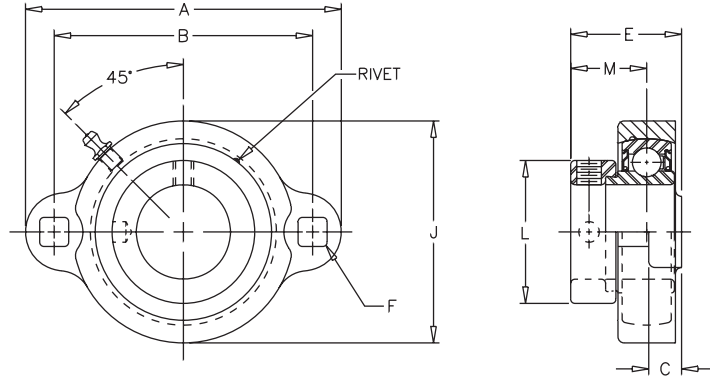
VF2E-100M

Lock: Eccentric
Seal: Contact
Housing: Ductile
Temperature: -20°F to 200°F
Self Alignment: ±1.5°
Inserts: VE-100
 Dimensions pg 98
 Ratings pg 99

Bore Size	Fitting
1/2" - 1 7/16"	1/4" - 28NF

V VALUE & QUALITY
F FLANGE
2 TWO BOLT
E ECCENTRIC

1 100
0 INTERMEDIATE
0 DUTY
M DUCTILE



SHAFT DIA. IN.	UNIT NO.	BRG. NO.	Dimensions In Inches								UNIT WT.
			A	B	C	E	F	J	L	M	
1/2	VF2E-108M	VE-108	3 3/16	2 1/2	13/32	1 13/64	9/32	1 15/16	1 3/16	5/8	0.6
5/8	VF2E-110M	VE-110									
3/4	VF2E-112M	VE-112	3 9/16	2 13/16	7/16	1 21/64	11/32	2 1/4	1 5/16	47/64	0.9
7/8	VF2E-114M	VE-114									
15/16	VF2E-115M	VE-115	3 3/4	3	7/16	1 11/32	11/32	2 1/2	1 1/2	49/64	1.0
1	VF2E-116M	VE-116									
1 1/8	VF2E-118M	VE-118									
1 3/16	VF2E-119M	VE-119	4 7/16	3 9/16	15/32	1 17/32	13/32	2 15/16	1 3/4	25/32	1.5
1 1/4	VF2E-120SM	VE-120S									
1 1/4	VF2E-120M	VE-120									
1 3/8	VF2E-122M	VE-122	4 13/16	3 15/16	1/2	1 11/16	13/32	3 3/8	2 3/16	55/64	1.9
1 7/16	VF2E-123M	VS-123									

CROSS REFERENCE TO COMPETITORS PRODUCTS

		REPLACES SEALMASTER BRONZE LFT-E	REPLACES NTN AELFD2 or JELFD2*
REPLACES FAFNIR GRFTD or GVFTD	REPLACES LINK-BELT FX-YG200N		

Refer to Interchange Section Page 166 for more detail.
 *-Cast Iron Housing



Browning®

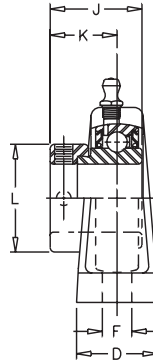
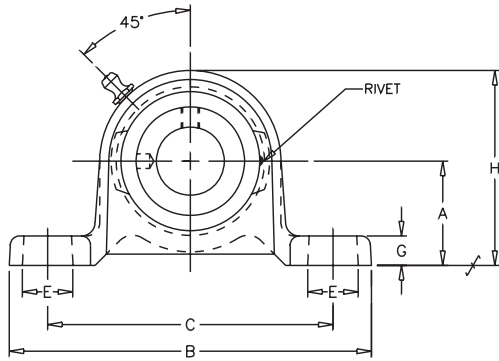
Ball Bearings

**VALUE & QUALITY V
PILLOW BLOCK P
ECCENTRIC E**

VPE-100M

**100 1
INTERMEDIATE 0
DUTY 0
DUCTILE M**

Lock: Eccentric
Seal: Contact
Housing: Ductile
Temperature: -20°F to 200°F
Self Alignment: ±1.5°
Inserts: VE-100
Dimensions pg 98
Ratings pg 99



Bore Size	Fitting
1/2" - 1 7/16"	1/4" - 28NF

SHAFT DIA. IN	UNIT NO.	BRG. NO.	Dimensions In Inches											UNIT WT.
			A	B	C	D	E	F	G	H	J	K	L	
1/2	VPE-108M	VE-108	1 3/16	4 7/16	3 7/16	1	21/32	7/16	11/32	2 5/32	1 3/16	7/8	1 3/16	1.0
5/8	VPE-110M	VE-110	1 3/16	4 7/16	3 7/16	1	21/32	7/16	11/32	2 5/32	1 3/16	7/8	1 3/16	1.0
3/4	VPE-112M	VE-112	1 5/16	4 3/4	3 17/32	1 1/16	21/32	7/16	3/8	2 7/16	1 17/64	59/64	1 5/16	1.5
7/8	VPE-114M	VE-114	1 7/16	5	3 15/16	1 1/8	21/32	7/16	13/32	2 11/16	1 17/64	59/64	1 1/2	1.7
15/16	VPE-115M	VE-115	1 7/16	5	3 15/16	1 1/8	21/32	7/16	13/32	2 11/16	1 17/64	59/64	1 1/2	1.7
1	VPE-116M	VE-116	1 7/16	5	3 15/16	1 1/8	21/32	7/16	13/32	2 11/16	1 17/64	59/64	1 1/2	1.7
1 1/8	VPE-118M	VE-118	1 11/16	5 15/16	4 23/32	1 5/16	13/16	17/32	13/32	3 5/32	1 27/64	1 3/64	1 3/4	2.7
1 3/16	VPE-119M	VE-119	1 11/16	5 15/16	4 23/32	1 5/16	13/16	17/32	13/32	3 5/32	1 27/64	1 3/64	1 3/4	2.7
1 1/4	VPE-120SM	VE-120S	1 7/8	6 1/4	5	1 3/8	13/16	17/32	7/16	3 9/16	1 37/64	1 5/32	2 3/16	3.6
1 1/4	VPE-120M	VE-120	1 7/8	6 1/4	5	1 3/8	13/16	17/32	7/16	3 9/16	1 37/64	1 5/32	2 3/16	3.6
1 3/8	VPE-122M	VE-122	1 7/8	6 1/4	5	1 3/8	13/16	17/32	7/16	3 9/16	1 37/64	1 5/32	2 3/16	3.6
1 7/16	VPE-123M	VE-123	1 7/8	6 1/4	5	1 3/8	13/16	17/32	7/16	3 9/16	1 37/64	1 5/32	2 3/16	3.6

CROSS REFERENCE TO COMPETITORS PRODUCTS

		REPLACES SEALMASTER BRONZE LP-E	

Refer to Interchange Section Page 166 for more detail.

See page 156 for trademark acknowledgments.



Eccentric



100

VF3E-100M

Lock: Eccentric
Seal: Contact
Housing: Ductile
Temperature: -20°F to 200°F
Self Alignment: ±1.5°
Inserts: VE-100
 Dimensions pg 98
 Ratings pg 99

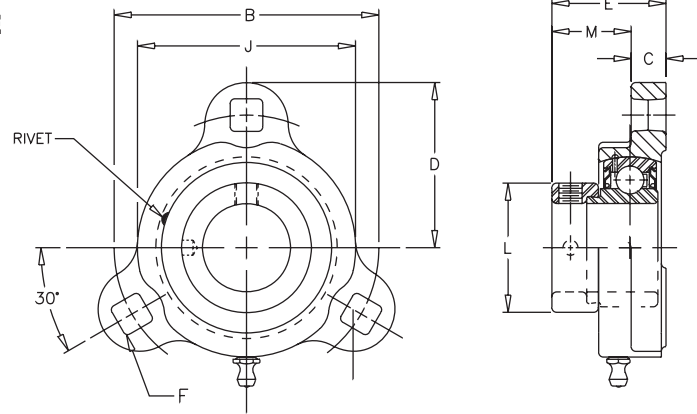
Bore Size	Fitting
1/2" - 1 7/16"	1/4" - 28NF

V VALUE & QUALITY
F FLANGE
3 THREE BOLT
E ECCENTRIC

1 100
0 INTERMEDIATE
0 DUTY
M DUCTILE

Browning®

Ball Bearings



SHAFT DIA. IN.	UNIT NO.	BRG. NO.	B	C	D	E	F	J	L	M	UNIT WT.
1/2	VF3E-108M	VE-108	2 1/2	13/32	1 19/32	1 7/32	19/64	1 15/16	1 3/16	7/8	0.8
5/8	VF3E-110M	VE-110									
3/4	VF3E-112M	VE-112	2 13/16	7/16	1 25/32	1 5/16	23/64	2 1/4	1 5/16	59/64	0.9
7/8	VF3E-114M	VE-114									
15/16	VF3E-115M	VE-115	3	7/16	1 7/8	1 11/32	23/64	2 1/2	1 1/2	59/64	1.1
1	VF3E-116M	VE-116									
1 1/8	VF3E-118M	VE-118									
1 3/16	VF3E-119M	VE-119	3 9/16	15/32	2 7/32	1 35/64	27/64	2 15/16	1 3/4	1 1/16	1.6
1 1/4	VF3E-120SM	VE-120S									
1 1/4	VF3E-120M	VE-120									
1 3/8	VF3E-122M	VE-122	3 15/16	1/2	2 13/32	1 11/16	27/64	3 3/8	2 3/16	1 5/32	2.2
1 7/16	VF3E-123M	VE-123									

CROSS REFERENCE TO COMPETITORS PRODUCTS

		REPLACES SEALMASTER BRONZE LF-E	
REPLACES FAFNIR GRFD or GVFD	REPLACES LINK-BELT F-YG200N*		

Refer to Interchange Section Page 166 for more detail.
 *-3 Bolt Only

Browning®

Ball Bearings



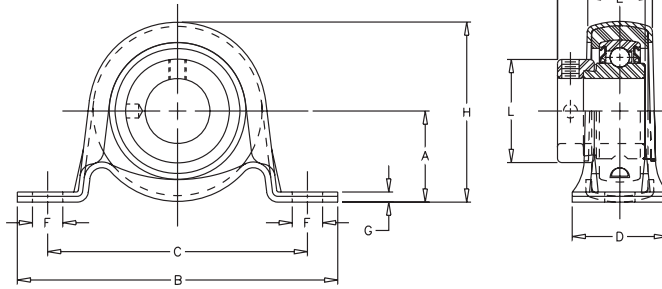
STAMPED S
STEEL S
RUBBER GROMMET R
PILLOW BLOCK P
ECCENTRIC E

100 1
INTERMEDIATE 0
DUTY 0

SSRPE-100

Lock: Eccentric
Seal: Contact
Housing: Stamped Steel
 Rubber Grommet
Temperature: -20°F to 200°F
Self Alignment: ±1.5°
Inserts: RLE-100

No Re-Lube



SHAFT DIA. IN	MAX STEADY RADIAL LOAD LBS	UNIT NO.	Dimensions In Inches											UNIT WT.	
			A	B	C	D	E	F	G	H	J	K	L		M
3/4	250	SSRPE-112	1 1/8	4 1/4	3 3/8	1 1/4	27/32	7/16	1/8	2 13/64	1 17/64	15/16	1 5/16	1 11/32	0.7
7/8	300	SSRPE-114	1 5/16	4 5/8	3 3/4	1 3/8	61/64	7/16	5/32	2 19/32	1 25/64	15/16	1 1/2	1 11/32	1.1
15/16		SSRPE-115													
1		SSRPE-116													

CROSS REFERENCE TO COMPETITORS PRODUCTS

		REPLACES SKF SR-FM	
REPLACES FAFNIR RPB			

Refer to Interchange Section Page 166 for more detail.

See page 156 for trademark acknowledgments.



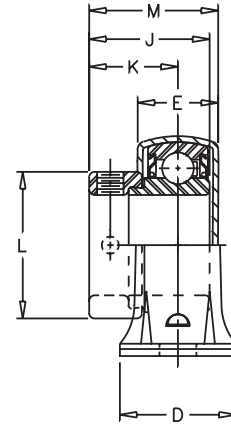
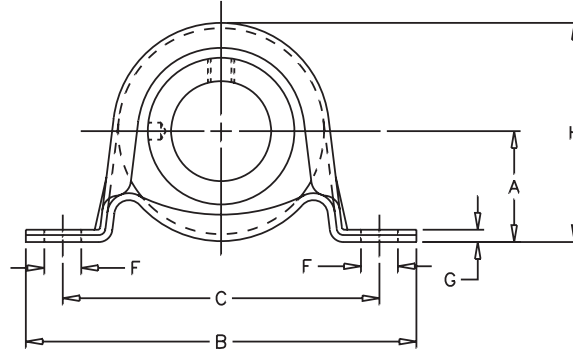
SSPE-100

Lock: Eccentric
Seal: Contact
Housing: Stamped Steel
Temperature: -20°F to 200°F
Self Alignment: ±1.5°
Inserts: LE-100
 Dimensions pg 97

S STAMPED
S STEEL
P PILLOW BLOCK
E ECCENTRIC

1 100
0 LIGHT
0 DUTY

No Re-Lube



SHAFT DIA. IN.	MAX STEADY RADIAL LOAD LBS	UNIT NO.	BRG. NO.	Dimensions In Inches												UNIT WT.
				A	B	C	D	E	F	G	H	J	K	L	M	
7/8	400	SSPE-114	LE-114													
15/16		SSPE-115	LE-115	1 1/8	4 1/4	3 3/8	1 1/4	27/32	7/16	1/8	2 13/64	1 17/64	59/64	1 1/2	1 11/32	0.7
1		SSPE-116	LE-116													
1 1/8	600	SSPE-118	LE-118													
1 3/16		SSPE-119	LE-119	1 5/16	4 5/8	3 3/4	1 3/8	61/64	7/16	5/32	2 19/32	1 7/16	1 1/16	1 3/4	1 17/32	1.1
1 1/4		SSPE-120S	LE-120S													

CROSS REFERENCE TO COMPETITORS PRODUCTS

REPLACES DODGE P2B-SLX	REPLACES SKF S-FM	REPLACES SEALMASTER BRONZE SSP-E	REPLACES NTN AELPP2
REPLACES FAFNIR PB			

Refer to Interchange Section Page 166 for more detail.

Browning®

Ball Bearings



100

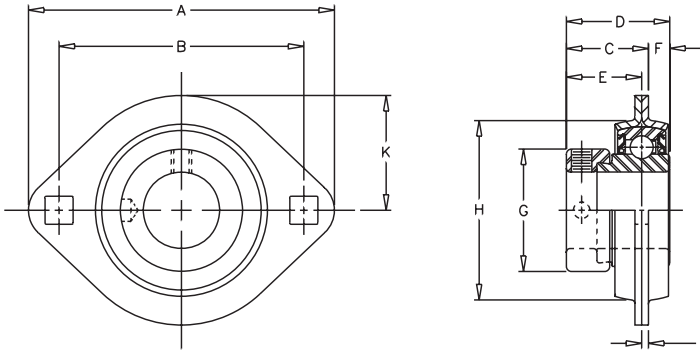
STAMPED S
 STEEL S
 FLANGE F
 TWO BOLT 2
 ECCENTRIC E

100 1
 LIGHT 0
 DUTY 0

SSF2E-100

Lock: Eccentric
 Seal: Contact
 Housing: Stamped Steel
 Temperature: -20°F to 200°F
 Self Alignment: ±1.5°
 Inserts: LE-100
 Dimensions pg 97

No Re-Lube



SHAFT DIA. IN.	MAX STEADY RADIAL LOAD LBS.	UNIT NO.	BRG. NO.	Dimensions In Inches										BOLT SIZE	UNIT WT.
				A	B	C	D	E	F	G	H	K	L		
1/2	600	SSF2E-108	LE-108	3 3/16	2 1/2	61/64	1 3/16	7/8	15/64	1 3/16	1 47/64	1 1/8	.075	1/4	0.7
5/8		SSF2E-110	LE-110												
3/4	600	SSF2E-112	LE-112	3 9/16	2 13/16	1	1 17/64	59/64	1/4	1 5/16	2 1/64	1 5/16	.083	5/16	0.9
7/8	800	SSF2E-114	LE-114	3 3/4	3	1	1 17/64	59/64	1/4	1 1/2	2 7/32	1 13/32	.083	5/16	1.0
15/16		SSF2E-115	LE-115												
1		SSF2E-116	LE-116												
1 1/8	1100	SSF2E-118	LE-118	4 7/16	3 9/16	1 11/64	1 27/64	1 1/16	17/64	1 3/4	2 21/32	1 21/32	.104	3/8	1.1
1 3/16		SSF2E-119	LE-119												
1 1/4		SSF2E-120S	LE-120S												

CROSS REFERENCE TO COMPETITORS PRODUCTS

DODGE F2B-SLX	REPLACES SKF FT-FM	REPLACES SEALMASTER BRONZE SSFT-E	REPLACES NTN AELPFL2 or JELPFL2
REPLACES FAFNIR RAT	REPLACES LINK-BELT MST		

Refer to Interchange Section Page 166 for more detail.

See page 156 for trademark acknowledgments.

Eccentric



100

Browning[®]

Ball Bearings

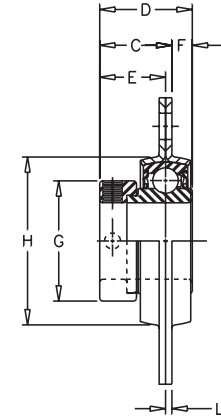
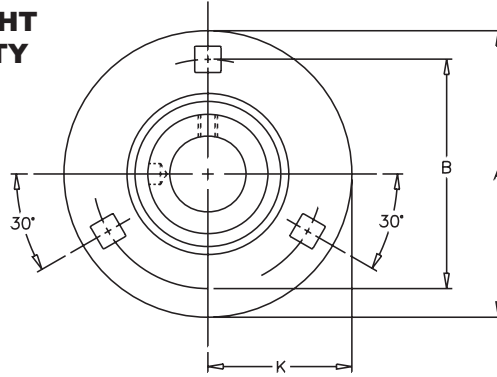
SSF3E-100

Lock: Eccentric
 Seal: Contact
 Housing: Stamped Steel
 Temperature: -20°F to 200°F
 Self Alignment: ±1.5°
 Inserts: LE-100
 Dimensions pg 97

S STAMPED
S STEEL
F FLANGE
3 THREE BOLT
E ECCENTRIC

1 100
0 LIGHT
0 DUTY

No Re-Lube



SHAFT DIA. IN.	MAX STEADY RADIAL LOAD LBS.	UNIT NO.	BRG. NO.	Dimensions In Inches										BOLT SIZE	UNIT WT.
				A	B	C	D	E	F	G	H	K	L		
3/4	600	SSF3E-112	LE-112	3 9/16	2 13/16	1	1 17/64	59/64	1/4	1 5/16	2 1/64	1 25/32	.083	5/16	1.1
7/8	800	SSF3E-114	LE-114	3 3/4	3	1	1 17/64	59/64	1/4	1 1/2	2 7/32	1 7/8	.083	5/16	1.4
15/16		SSF3E-115	LE-115												
1		SSF3E-116	LE-116												
1 1/8	1100	SSF3E-118	LE-118	4 7/16	3 9/16	1 5/32	1 27/64	1 1/16	17/64	1 3/4	2 21/32	2 7/32	.104	3/8	1.6
1 3/16		SSF3E-119	LE-119												
1 1/4		SSF3E-120S	LE-120S												
1 1/4	1400	SSF3E-120	LE-120	4 13/16	3 15/16	1 17/64	1 37/64	1 5/32	5/16	2 3/16	3 1/16	2 13/32	.104	3/8	1.9
1 3/8		SSF3E-122	LE-122												
1 7/16		SSF3E-123	LE-123												

CROSS REFERENCE TO COMPETITORS PRODUCTS

REPLACES DODGE F3B-SLX	REPLACES SKF F-FM	REPLACES SEALMASTER BRONZE SSF-E	REPLACES NTN AELPF2 or JELPF2
REPLACES FAFNIR RR/GRR or RA/RP	REPLACES LINK-BELT MS*		

Refer to Interchange Section Page 166 for more detail.
 *-Bearings not included

Browning®

Ball Bearings

Eccentric



100

STAMPED S
 STEEL S
 FLANGE F
 FOUR BOLT 4
 ECCENTRIC E

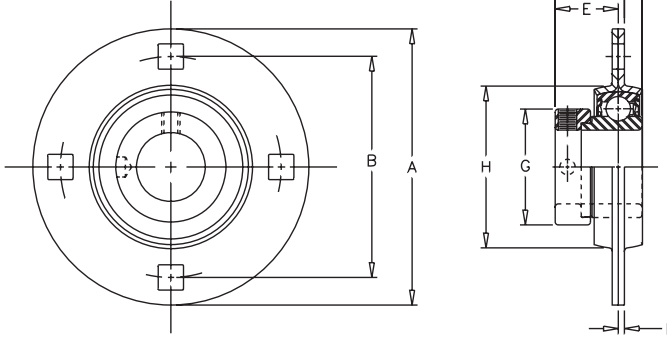
SSF4E-100

100 1
 LIGHT 0
 DUTY 0

Lock: Eccentric
 Seal: Contact
 Housing: Stamped
 Temperature: -20°F to 200°F
 Self Alignment: ±1.5°
 Inserts: LE-100

Dimensions pg 97

No Re-Lube



SHAFT DIA. IN.	MAX STEADY RADIAL LOAD LBS.	UNIT NO.	BRG NO.	Dimensions In Inches									BOLT SIZE	UNIT WT.
				A	B	C	D	E	F	G	H	L		
1 1/2	1700	SSF4E-124	LE-124	5 13/16	4 11/16	1 27/64	1 49/64	1 9/32	11/32	2 3/8	3 27/64	.134	1/2	3.0
1 11/16	1700	SSF4E-127	LE-127	5 7/8	4 3/4	1 27/64	1 49/64	1 9/32	11/32	2 1/2	3 5/8	.134	1/2	3.5
1 3/4	1900	SSF4E-128	LE-128	6 1/8	5	1 7/16	1 25/32	1 9/32	11/32	2 3/4	3 27/32	.149	1/2	3.6

CROSS REFERENCE TO COMPETITORS PRODUCTS

REPLACES DODGE F4B-SLX		REPLACES SEALMASTER BRONZE SSFF-E	
REPLACES FAFNIR RR	REPLACES LINK-BELT MSC*		

Refer to Interchange Section Page 166 for more detail.
 *-Bearings not included

See page 156 for trademark acknowledgments.

Eccentric



100

Browning[®]

Ball Bearings

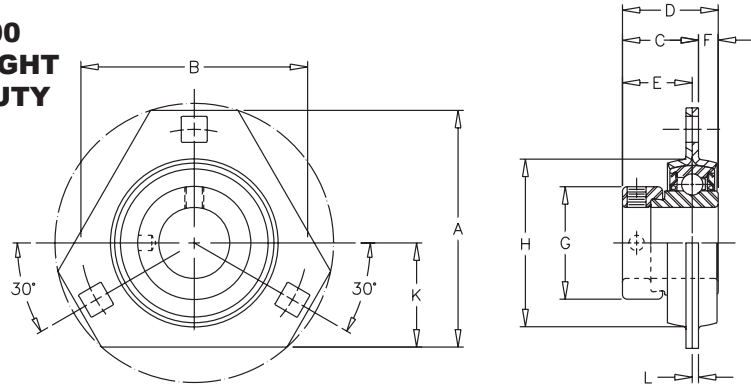
SSF3TE-100

Lock: Eccentric
 Seal: Contact
 Housing: Stamped Steel
 Temperature: -20°F to 200°F
 Inserts: LE-100
 Dimensions pg 97

No Re-Lube

S STAMPED
S STEEL
F FLANGE
3 THREE BOLT
T TRIANGULAR
E ECCENTRIC

1 100
0 LIGHT
0 DUTY



SHAFT DIA. IN.	MAX STEADY RADIAL LOAD LBS.	UNIT NO.	BRG NO.	Dimensions In Inches										BOLT SIZE	UNIT WT.
				A	B	C	D	E	F	G	H	K	L		
3/4	600	SSF3TE-112	LE-112	3	2 13/16	1	1 17/64	59/64	1/4	1 19/64	2 1/32	1 5/16	.083	5/16	1.1
7/8	800	SSF3TE-114	LE-114	3 1/8	3	1	1 17/64	59/64	17/64	1 31/64	2 7/32	1 3/8	.083	5/16	1.2
15/16		SSF3TE-115	LE-115												
1		SSF3TE-116	LE-116												
1 1/8	1100	SSF3TE-118	LE-118	3 11/16	3 9/16	1 5/32	1 27/64	1 1/16	17/64	1 47/64	2 21/32	1 1/2	.104	3/8	1.4
1 3/16		SSF3TE-119	LE-119												
1 1/4		SSF3TE-120S	LE-120S												

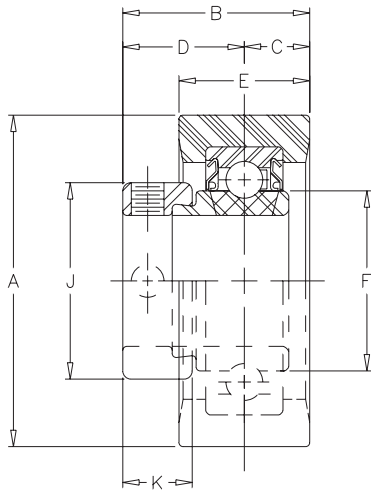
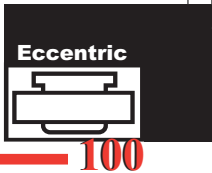
CROSS REFERENCE TO COMPETITORS PRODUCTS

REPLACES FAFNIR RATR		REPLACES SEALMASTER BRONZE TSSF-E	
REPLACES LINK-BELT MSTR*			

Refer to Interchange Section Page 166 for more detail.
 *-Bearings not included

Browning®

Ball Bearings



RUBBER R
GROMMET U
STRAIGHT OD B
INSERT R
ECCENTRIC E

100 1
LIGHT 0
DUTY 0

RUBRE-100

Lock: Eccentric
Seal: Contact
Housing: Rubber Grommet
Temperature: -20°F to 200°F
Inserts: SLE-100
 Dimensions pg 96

SHAFT DIA. IN.	MAX. STEADY RADIAL LOAD LBS.	UNIT NO.	BRG. NO.	Dimensions in Inches								UNIT WT.
				A	B	C	D	E	F	K	J	
1/2	200	RUBRE-108	SLE-108	2 17/32	1 3/8	1/2	7/8	1	31/32	17/32	1 3/16	0.5
5/8		RUBRE-110	SLE-110									
3/4	250	RUBRE-112	SLE-112	2 17/32	1 27/64	1/2	59/64	1	1 3/16	17/32	1 5/16	0.5
15/16	300	RUBRE-115	SLE-115	2 17/32	1 27/64	1/2	59/64	1	1 3/8	17/32	1 1/2	0.6
1		RUBRE-116	SLE-116									

CROSS REFERENCE TO COMPETITORS PRODUCTS

		REPLACES SKF R-FM
REPLACES FAFNIR RCSM		

Refer to Interchange Section Page 166 for more detail.

See page 156 for trademark acknowledgments.



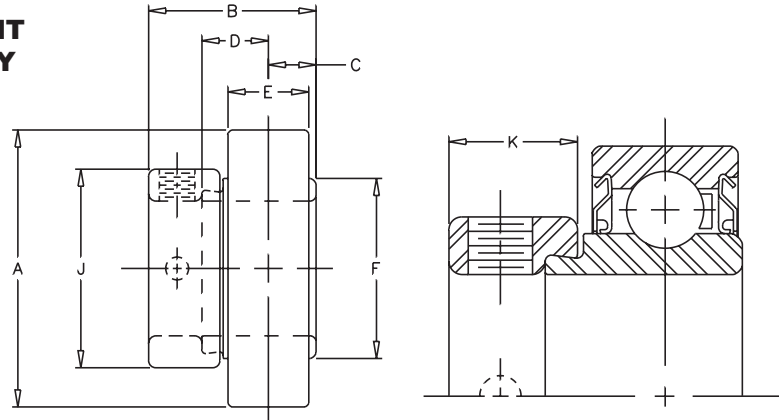
SLE-100

Lock: Eccentric
 Seal: Contact
 Temperature: -20°F to 200°F
 Ratings: Page 99

No Re-Lube

S STRAIGHT OD
L LUBED INSERT
E ECCENTRIC

1 100
0 LIGHT
0 DUTY



SHAFT DIA. IN.	BRG NO.	Dimensions in Inches								SET SCREW TAP	UNIT WT.
		A	B	C	D	E	F	J	K		
1/2	SLE-108	40MM	1 3/16	5/16	1/2	33/64	31/32	1 3/16	17/32	1/4-28	0.4
5/8	SLE-110	1.5742									
3/4	SLE-112	47MM 1.8504	1 17/64	11/32	35/64	19/32	1 3/16	1 5/16	17/32	1/4-28	0.5
7/8	SLE-114										
15/16	SLE-115	52MM	1 17/64	11/32	35/64	19/32	1 3/8	1 1/2	17/32	1/4-28	0.6
1	SLE-116	2.0469									
1 1/8	SLE-118										
1 3/16	SLE-119	62MM	1 27/64	3/8	37/64	45/64	1 19/32	1 3/4	5/8	5/16-24	0.8
1 1/4	SLE-120S	2.4409									
1 1/4	SLE-120										
1 3/8	SLE-122	72MM	1 37/64	27/64	5/8	3/4	1 55/64	2 3/16	11/16	3/8-24	1.1
1 7/16	SLE-123	2.8346									
1 1/2	SLE-124	80MM	1 49/64	31/64	3/4	55/64	2 1/16	2 3/8	23/32	3/8-24	1.4
		3.1496									

CROSS REFERENCE TO COMPETITORS PRODUCTS

		REPLACES SEALMASTER BRONZE SL-E	
REPLACES FAFNIR GRA-RR	REPLACES LINK-BELT WB200UL		

Refer to Interchange Section Page 166 for more detail.

Browning®

Ball Bearings



100

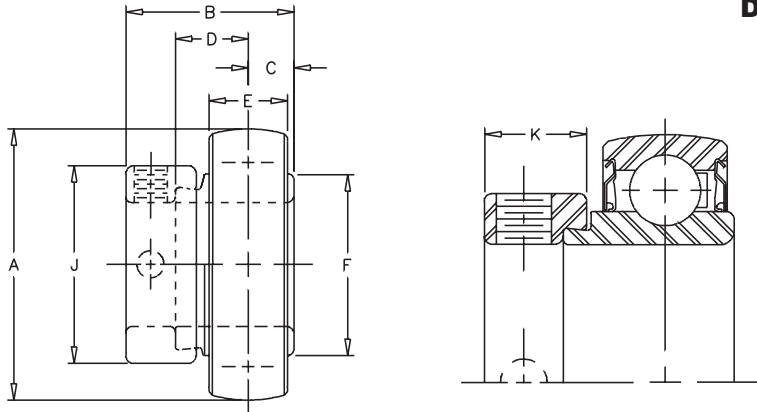
LUBED INSERT L
ECCENTRIC E

LE-100

100 1
LIGHT 0
DUTY 0

Lock: Eccentric
Seal: Contact
Temperature: -20°F to 200°F
Ratings: Page 99

No Re-Lube



SHAFT DIA. IN.	BRG. NO.	Dimensions in Inches								SET SCREW TAP	UNIT WT.
		A	B	C	D	E	F	J	K		
1/2	LE-108	40MM	1 3/16	5/16	1/2	33/64	31/32	1 3/16	17/32	1/4-28	.4
5/8	LE-110	1.5748									
3/4	LE-112	47MM	1 17/64	11/32	35/64	19/32	1 3/16	1 5/16	17/32	1/4-28	.4
7/8	LE-114	52MM	1 17/64	11/32	35/64	19/32	1 3/8	1 1/2	17/32	1/4-28	.5
15/16	LE-115	2.0472									
1	LE-116										
1 1/8	LE-118	62MM	1 27/64	3/8	37/64	45/64	1 19/32	1 3/4	5/8	5/16-24	.7
1 3/16	LE-119	2.4409									
1 1/4	LE-120S										
1 1/4	LE-120	72MM	1 37/64	27/64	5/8	3/4	1 55/64	2 3/16	11/16	3/8-24	1.1
1 3/8	LE-122	2.8346									
1 7/16	LE-123										
1 1/2	LE-124	80MM	1 49/64	31/64	3/4	55/64	2 1/16	2 3/8	23/32	3/8-24	1.4
1 11/16	LE-127	85MM	1 49/64	31/64	3/4	55/64	2 19/64	2 1/2	23/32	3/8-24	1.6
1 3/4	LE-128	3.3465									
1 15/16	LE-131	90MM	1 25/32	1/2	3/4	29/32	2 15/32	2 3/4	23/32	3/8-24	1.8
		3.5433									

CROSS REFERENCE TO COMPETITORS PRODUCTS

For insert interchange information, contact EPT Mounted Bearing Technical Support.
See page 260 for contact information.

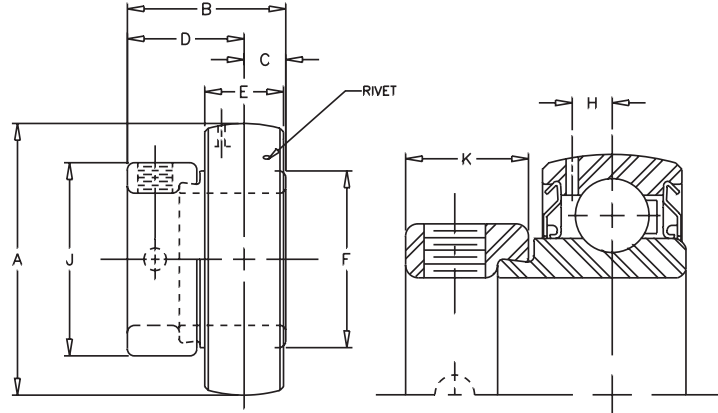


VE-100

Lock: Eccentric
 Seal: Contact
 Temperature: -20°F to 200°F
 Ratings: Page 99

V VALUE & QUALITY
E ECCENTRIC

1 100
0 INTERMEDIATE
0 DUTY



SHAFT DIA. IN	BRG. NO.	Dimensions In Inches									SET SCREW TAP	UNIT WT.
		A	B	C	D	E	F	H	J	K		
1/2	VE-108	40MM	1 3/16	5/16	7/8	.512	31/32	9/64	1 3/16	17/32	1/4-28	.4
5/8	VE-110	1.5748										
3/4	VE-112	47MM 1.8504	1 17/64	11/32	59/64	.591	1 3/16	5/32	1 5/16	17/32	1/4-28	.4
7/8	VE-114	52MM	1 17/64	11/32	59/64	.591	1 3/8	5/32	1 1/2	17/32	1/4-28	.5
15/16	VE-115	2.0472										
1	VE-116											
1 1/8	VE-118	62MM	1 7/16	3/8	1 3/64	.709	1 19/32	13/64	1 3/4	5/8	5/16-24	.7
1 3/16	VE-119	2.4409										
1 1/4	VE-120S											
1 1/4	VE-120	72MM	1 37/64	27/64	1 5/32	.748	1 55/64	15/64	2 3/16	11/16	3/8-24	1.1
1 3/8	VE-122	2.8346										
1 7/16	VE-123											
1 1/2	VE-124	80MM 3.1496	1 49/64	31/64	1 9/32	.866	2 1/16	17/64	2 3/8	23/32	3/8-24	1.4
1 11/16	VE-127	85MM	1 49/64	31/64	1 9/32	.866	2 19/64	17/64	2 1/2	23/32	3/8-24	1.6
1 3/4	VE-128	3.3465										
1 15/16	VE-131	90MM	1 25/32	1/2	1 9/32	.906	2 15/32	9/32	2 3/4	23/32	3/8-24	1.8
2	VE-132S	3.5433										
2	VE-132	100MM	1 63/64	35/64	1 7/16	.984	2 23/32	5/16	3	13/16	7/16-20	2.5
2 3/16	VE-135	3.9370										

CROSS REFERENCE TO COMPETITORS PRODUCTS

For insert interchange information, contact EPT Mounted Bearing Technical Support.
 See page 260 for contact information.

Browning®

Ball Bearings

100 SERIES RATINGS

This chart displays 100 series ball bearings' load capacity for a given L10 life, speed, and shaft size. Values in the table represent loads at ideal conditions with press fit mounting to the shaft. ABMA recommends de-rating of slip fit mounted bearings. To obtain de-rated load, divide load in table by 1.3. Values in the table represent equivalent radial loads only. For combined load determination, see **THE BEARING SELECTION SECTION**, page 266. Areas designated by "—" exceed maximum speed values.

Match Bore Size

100 Shaft Size	L10 HOURS	REVOLUTIONS PER MINUTE															
		50	150	250	500	750	1000	1500	1750	2000	2500	3000	3500	4000	45000	5000	5500
1/2 5/8 275	5000	315	315	315	315	315	315	275	261	250	232	218	207	198	191	184	—
	10000	315	315	315	315	275	250	218	207	198	184	173	165	157	151	146	—
	250	315	315	275	218	191	173	151	144	138	128	120	114	109	105	101	—
	50000	315	275	232	184	161	146	128	121	116	108	101	96	92	89	85	—
	100000	315	218	184	146	128	116	101	96	92	85	80	76	73	70	68	—
3/4	5000	390	390	390	390	390	390	341	324	310	287	270	257	246	—	—	—
	10000	390	390	390	390	341	310	270	257	246	228	215	204	195	—	—	—
	30000	390	390	341	270	236	215	188	178	170	158	149	141	135	—	—	—
	50000	390	341	287	228	199	181	158	150	144	133	126	119	114	—	—	—
	100000	390	270	228	181	158	144	126	119	114	106	100	95	91	—	—	—
7/8 15/16 1	5000	418	418	418	418	418	418	366	347	332	308	290	276	—	—	—	—
	10000	418	418	418	418	366	332	290	279	264	245	230	219	—	—	—	—
	30000	418	418	366	290	253	230	201	191	183	170	160	152	—	—	—	—
	50000	418	366	308	245	214	194	170	161	154	143	135	128	—	—	—	—
	100000	418	290	245	194	170	154	135	128	122	114	107	102	—	—	—	—
1 1/8 1 3/8 1 1/4	5000	654	654	654	654	654	654	572	543	519	482	454	—	—	—	—	—
	10000	654	654	654	654	572	519	454	431	412	383	360	—	—	—	—	—
	30000	654	654	572	454	396	360	315	299	286	265	250	—	—	—	—	—
	50000	654	572	482	383	334	304	265	252	241	224	211	—	—	—	—	—
	100000	654	454	383	304	255	241	211	200	191	178	167	—	—	—	—	—
1 1/4 1 3/8 1 7/16	5000	864	864	864	864	864	864	755	717	686	636	—	—	—	—	—	—
	10000	864	864	864	864	755	686	599	569	544	505	—	—	—	—	—	—
	30000	864	864	755	599	523	475	415	394	377	350	—	—	—	—	—	—
	50000	864	755	636	505	441	401	350	333	318	295	—	—	—	—	—	—
	100000	864	599	505	401	350	318	278	264	253	234	—	—	—	—	—	—
1 1/2	5000	1096	1096	1096	1096	1096	1096	958	910	870	808	—	—	—	—	—	—
	10000	1096	1096	1096	1096	958	870	760	722	691	641	—	—	—	—	—	—
	30000	1096	1096	958	760	664	603	527	501	479	445	—	—	—	—	—	—
	50000	1096	958	808	641	560	509	445	422	404	375	—	—	—	—	—	—
	100000	1096	760	641	509	445	404	353	335	321	298	—	—	—	—	—	—
1 11/16 1 3/4	5000	1180	1180	1180	1180	1180	1180	1031	979	937	—	—	—	—	—	—	—
	10000	1180	1180	1180	1180	1031	937	818	777	744	—	—	—	—	—	—	—
	30000	1180	1180	1031	818	715	650	567	539	516	—	—	—	—	—	—	—
	50000	1180	1031	870	690	603	548	479	455	435	—	—	—	—	—	—	—
	100000	1180	818	690	548	479	435	380	361	345	—	—	—	—	—	—	—
1 15/16 2	5000	1178	1178	1178	1178	1178	1178	1029	978	935	—	—	—	—	—	—	—
	10000	1178	1178	1178	1178	1029	935	817	776	742	—	—	—	—	—	—	—
	30000	1178	1178	1029	817	714	649	567	538	515	—	—	—	—	—	—	—
	50000	1178	1029	868	689	602	547	478	454	434	—	—	—	—	—	—	—
	100000	1178	817	689	547	478	434	379	360	345	—	—	—	—	—	—	—
2 2 3/16	5000	1457	1457	1457	1457	1457	1457	1273	1209	—	—	—	—	—	—	—	—
	10000	1457	1457	1457	1457	1273	1156	1010	959	—	—	—	—	—	—	—	—
	30000	1457	1457	1273	1010	882	802	700	665	—	—	—	—	—	—	—	—
	50000	1457	1273	1073	852	744	676	591	561	—	—	—	—	—	—	—	—
	100000	1457	1010	852	676	591	537	469	445	—	—	—	—	—	—	—	—