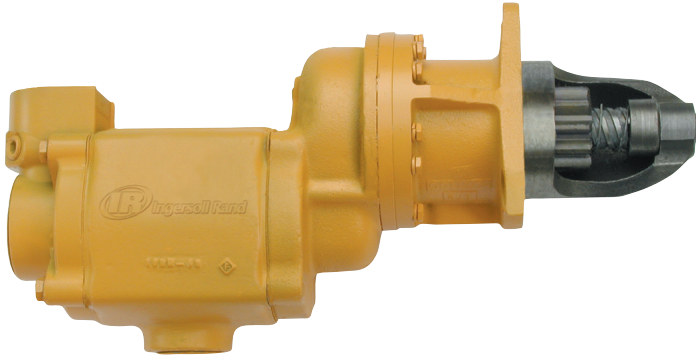


VANE STARTERS

150BM SERIES



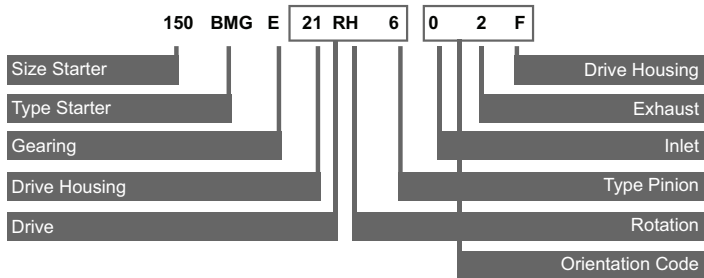
FEATURES/BENEFITS

- Powerful 32 HP motor
- The leading mid-range starter design, the standard by which all others are measured
- Simple design ensures rugged dependability and ease of maintenance
- Multiple offset gear ratios: E = 3.46:1; D = 3.94:1
- Backcap ports for injection lubricating

VERSATILE

- 150BMG sealed for use in air or gas applications
- Offset design for simple mounting
- Inertia and pre-engaged starters available
- Left- and right-hand rotation available
- 4 inlet, 4 exhaust, and 18 drive housing orientations
- 90-150 psi (6.2-10.3 bars) operation

MODEL CODING



For engine displacement of:

Diesel—500 to 2000 CID (8 to 32 liters)

Carbureted—1000 to 4000 CID
(16 to 64 liters)

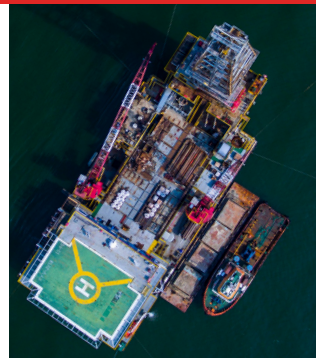
INDUSTRY APPLICATIONS



Marine



Off-highway



Oil and Gas



Power generation



Mining

VANE STARTERS

DIMENSIONS

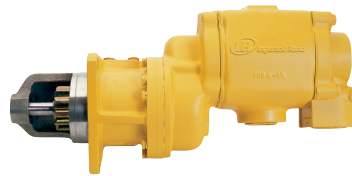
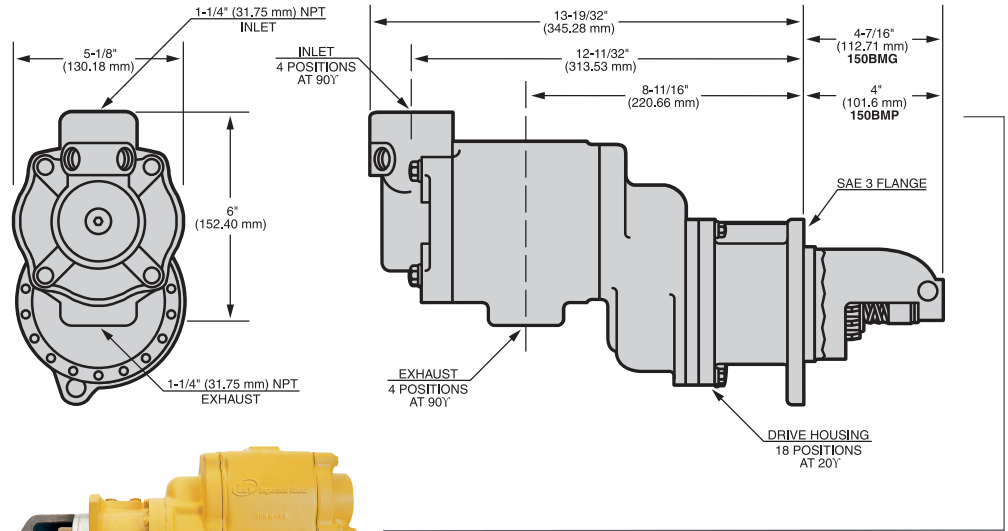
150BMG/150BMP

Weight:

150BMG 38 lbs (17.2 kg)

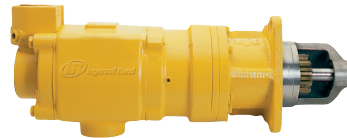
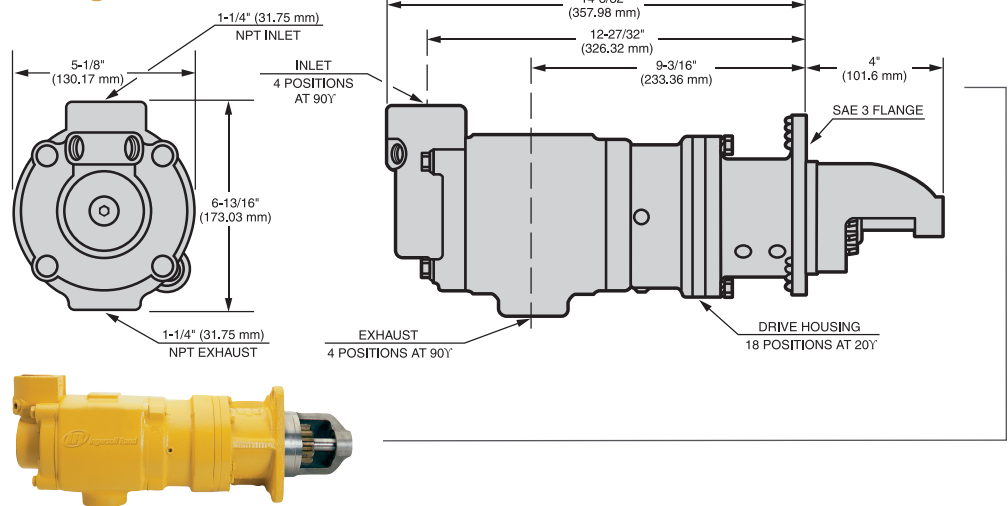
150BMP 40 lbs (18.1kg)

Note: All dimensions shown are for reference only. Specifications subject to change without notice.



150BMPD

Weight: 40 lbs (18.1 kg)



PERFORMANCE INFORMATION

Pressure psi (bar)	Breakaway Torque ft-lb (Nm)	Speed @ Max HP rpm	Max Power HP (kW)	Flow @ Max HP scfm (L/s)
150BMGE/150BMPE				
90 (6.2)	100 (136)	1700	16 (12)	380 (179)
120 (8.3)	130 (176)	1900	24 (18)	500 (236)
150 (10.3)	155 (210)	2200	32 (24)	680 (321)
150BMPD				
90 (6.2)	110 (149)	1500	16 (12)	370 (175)
120 (8.3)	145 (196)	1700	24 (18)	500 (236)
150 (10.3)	175 (237)	1900	32 (24)	650 (307)

VANE STARTERS

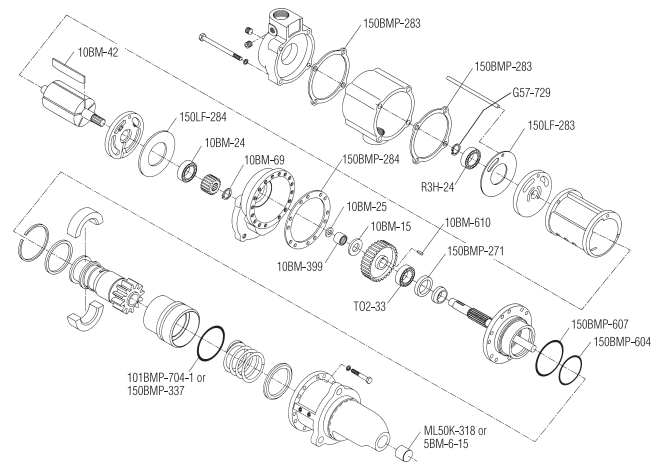
PARTS AND ACCESSORIES

	Part Number	Description
	150BM-A674	1/4" Muffler
	150BMP-1051B	1/4" 12 V Solenoid Valve
	150BMP-2451B	1/4" 24 V Solenoid Valve
	NL-24-8	In-Line Lubricator
	HDL2 (Stationary)	3/8" NPT Lubricator (1.3 cc)
	HDL3 (Transportation)	3/8" NPT Lubricator (0.4 cc)
	SMB-G618	Gas Rated Push Button Valve
	SMB-618	Push Button Valve
	SRV150SS	1 1/2" Gas Rated Relay Valve

	Part Number	Description
	SRV125T	1 1/4" Relay Valve for Vehicular Applications
	SRV125	1 1/4" Relay Valve for Stationary Applications
	ST1000-267-24	1 1/2" Strainer Housing
	ST1000-266-24	1 1/2" Strainer (40 mesh)
	150BMP-1064	1/8", 150 psi Pressure Gauge
	150BM-A735	Road Splash Deflector

GENUINE INGERSOLL RAND REPLACEMENT KITS

Tune Up Kit Part Number	Description
150BM-TK2	150BM Products
150LF-TK2	150LF Products (uses 150LF-42 vanes)
150LF-TK1	150 Motor Gasket Kit for all vane motor 150 products
150BMPD-TK1	150BMPD Products



Exploded View of 150BM-TK2 Part Location

PARTS



150LF-TK1 Parts



150BM-TK2 Parts