

# VANE STARTERS

## SS100 SERIES



**For engine displacement of:**

Diesel—0 to 600 CID (0 to 15 liters)

Carbureted—0 to 1200 CID (0 to 20 liters)

### FEATURES/BENEFITS

- Powerful, revolutionary lube-free vane motor can be used with air or natural gas
- Alloy steel motor components ensure reliability in harsh conditions
- Offset-gear design for rugged power transfer and easy field service
- Class-leading starting torque for engines up to 15 liters
- One starter replaces the 3BM, 5BM and SS175 series

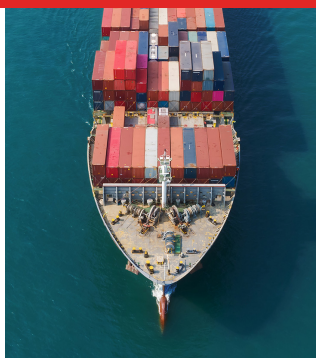
### VERSATILE

- One size fits engines up to 15 liters to lower cost and reduce inventory
- Compact design and flexible mounting for easy fit-up
- Standard and metric pinions fit most manufacturers' engines
- Overhung pinion and 360° flange design for easy installation
- Dependable accessories including valves, mufflers and deflectors

### INDUSTRY APPLICATIONS



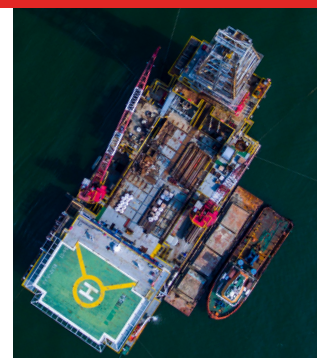
Locomotive



Marine



Off-highway



Oil and Gas



Power generation

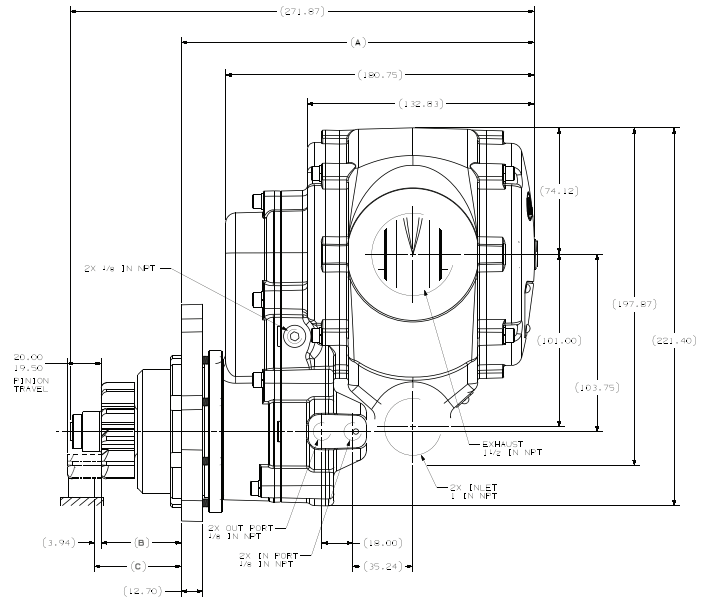
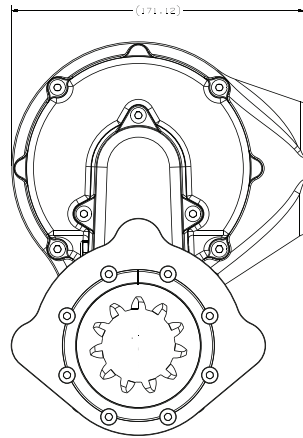
# VANE STARTERS

## DIMENSIONS

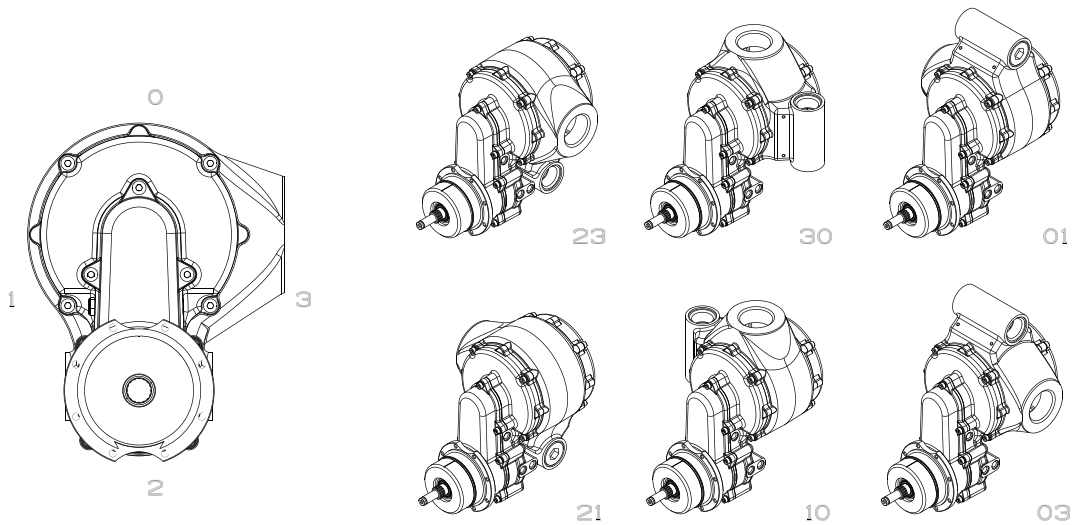
SS100

Weight: 28lbs (12.7 kg)

Note: All dimensions shown are for reference only. Specifications subject to change without notice.



## HOUSING ORIENTATIONS







## PERFORMANCE INFORMATION

Pressure psi (bar)	Breakaway Torque ft-lb (Nm)	Speed @ Max HP rpm	Max Power HP (kW)	Flow @ Max HP scfm (L/s)
<b>SS100</b>				
30 (2.1)	16 (22)	1290	2.3 (1.7)	110 (52)
60 (4.1)	39 (53)	1625	6.4 (4.8)	215 (101)
90 (6.2)	55 (75)	1800	9.6 (7.2)	315 (149)
120 (8.3)	75 (102)	1900	13.8 (10.3)	415 (196)
150 (10.3)	75 (102)	1900	13.8 (10.3)	415 (196)

# VANE STARTERS

## PARTS AND ACCESSORIES

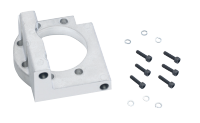
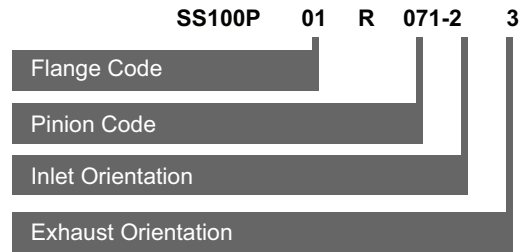
	Part Number	Description
	SRV100	1" Relay Valve
	SRV100-SMB	1" Relay Valve with Push Button
	SRV150SS	1 1/2" Gas Rated Relay Valve
	SS350-A674	1 1/2" Muffler
	SS350-A735	Exhaust Deflector
	150BMP-1051B	1/4" 12 V Solenoid Valve
	150BMP-2451B	1/4" 24 V Solenoid Valve

	Part Number	Description
	SMB-618	Push Button Valve
	SMB-G618	Push Button Valve for Natural Gas
	ST1000-267-16	1" Strainer Housing
	ST1000-267-24	1 1/2" Strainer Housing
	ST1000-266-16	1" Strainer (40 mesh)
	ST1000-266-24	1 1/2" Strainer (40 mesh)

## GENUINE INGERSOLL RAND REPLACEMENT KITS

Tune Up Kit Part Number	Description
SS100-TK1	Tune Up Kit
SS100-GK1	Gear Kit
SS100-TK2	Drive Housing Seal Kit
SS100-K299	Drive Kit
SS100-K299-18	Pinion Hardware Kit
SS100-K301-01	Flange Kit, SAE 01
SS100-K301-03	Flange Kit, SAE 03
SS100-K301-04	Flange Kit, SAE 04
SS100-K301-GM	Flange Kit, GM

## MODEL CODING



SS100-TK1 Parts   SS100-GK1 Parts   SS100-K301-04 Parts   SS100-K301-01 Parts   SS100-K301-03 Parts   SS100-K301-GM Parts