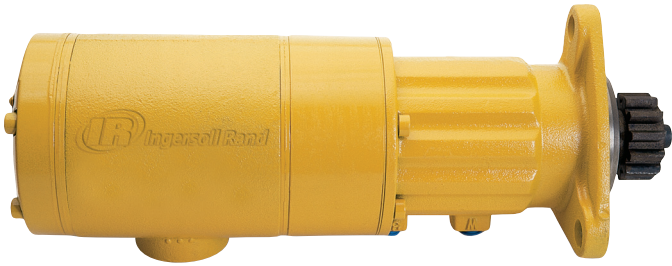


VANE STARTERS

SS350 SERIES



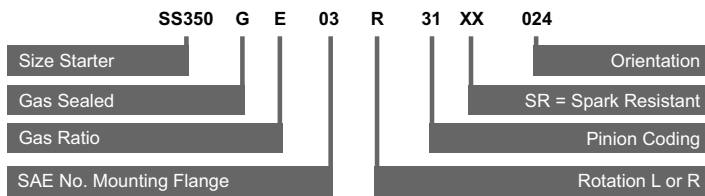
FEATURES/BENEFITS

- Rugged 36 HP motor on SS350
- Overhung pre-engaged pinion design for fit-up flexibility
- Backcap ports for injection lubricating

VERSATILE

- Sealed for use in air or gas applications
- Compact, lightweight design makes installation easier
- Left- or right-hand rotation available
- 4 inlet, 4 exhaust, and 12 housing orientations
- 30-150 psi (2.1-10.3 bars) operation
- SAE 01 and SAE03 mounting flanges fit most worldwide manufacturers' engines

MODEL CODING



For engine displacement of:

Diesel—200 to 1200 CID (3 to 20 liters)

Carbureted—400 to 2400 CID
(6 to 40 liters)

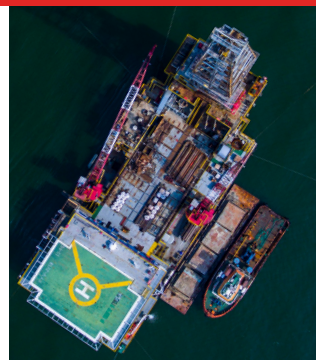
INDUSTRY APPLICATIONS



Marine



Off-highway



Oil and Gas



Power generation



Mining

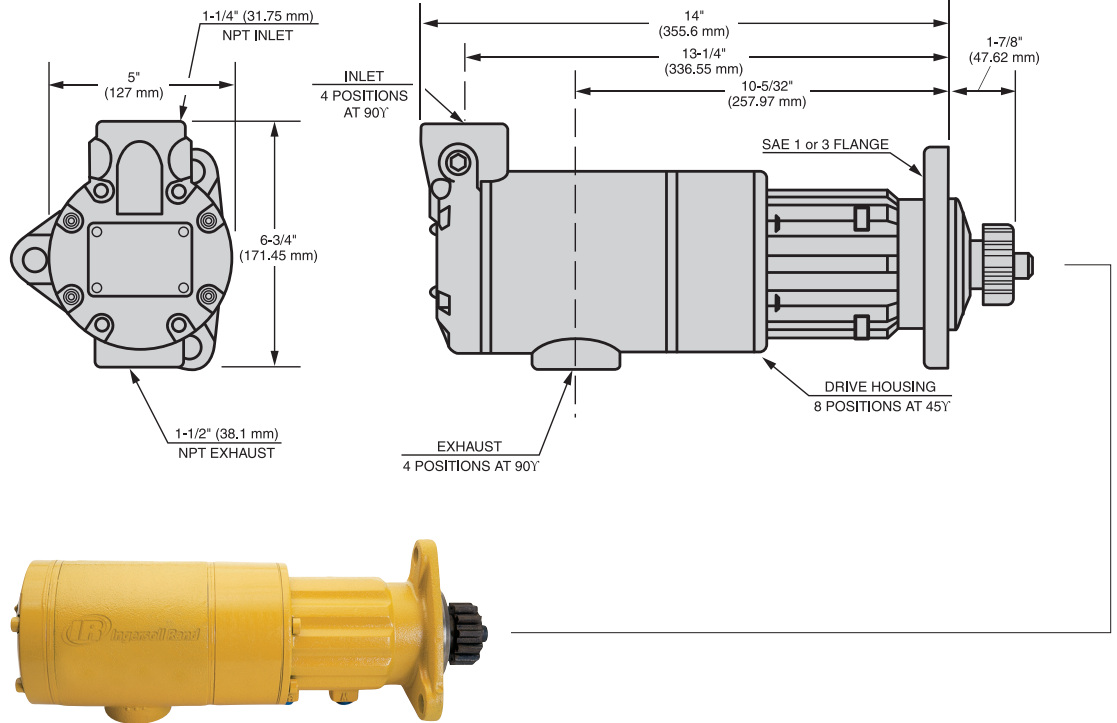
VANE STARTERS

DIMENSIONS

SS350G

Weight: 33 lbs (15.0 kg)

Note: All dimensions shown are for reference only. Specifications subject to change without notice.











PERFORMANCE INFORMATION

Pressure psi (bar)	Breakaway Torque ft-lb (Nm)		Speed @ Max HP rpm		Max Power HP (kW)	Flow @ Max HP scfm (L/s)
	B RATIO	E RATIO	B RATIO	E RATIO		
SS350						
90 (6.2)	70 (95)	100 (136)	2900	2000	19 (14)	525 (248)
120 (8.3)	90 (122)	130 (176)	3100	2200	27 (20)	750 (354)
150 (10.3)	110 (149)	160 (217)	3400	2400	36 (27)	900 (425)

VANE STARTERS

PARTS AND ACCESSORIES

	Part Number	Description
	SS350-A674	1 1/2" Muffler
	150BMP-1051B	1/4" 12 V Solenoid Valve
	150BMP-2451B	1/4" 24 V Solenoid Valve
	NL-24-8	In-Line Lubricator
	HDL2 (Stationary)	3/8" NPT Lubricator (1.3 cc)
	HDL3 (Transportation)	3/8" NPT Lubricator (0.4 cc)
	SMB-G618	Gas Rated Push Button Valve
	SMB-618	Push Button Valve

	Part Number	Description
	SRV150SS	1 1/2" Gas Rated Relay Valve
	SRV125T	1 1/4" Relay Valve for Vehicular Applications
	SRV125	1 1/4" Relay Valve for Stationary Applications
	150BMP-1064	1/8", 150 psi Pressure Gauge
	ST1000-267-24	1 1/2" Strainer Housing
	ST1000-266-24	1 1/2" Strainer (40 mesh)
	150BMP-1056	1/2" Check Valve

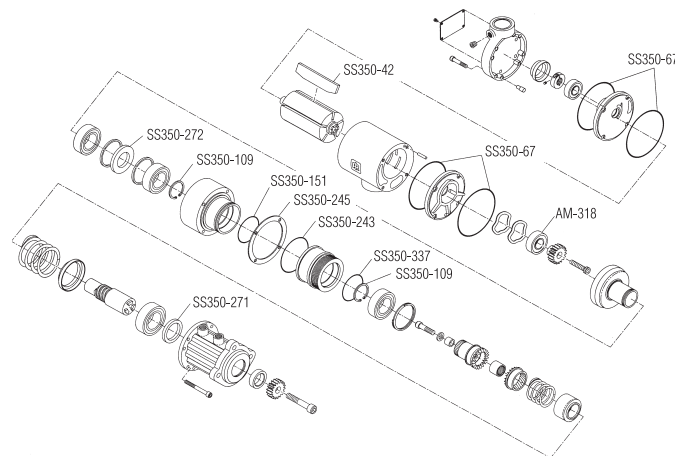
GENUINE INGERSOLL RAND REPLACEMENT KITS

Tune Up Kit Part Number	Description
SS350-TK2	SS350 Tune Up Kit

PARTS



SS350-TK2 Parts



Exploded View of SS350-TK2 Part Location