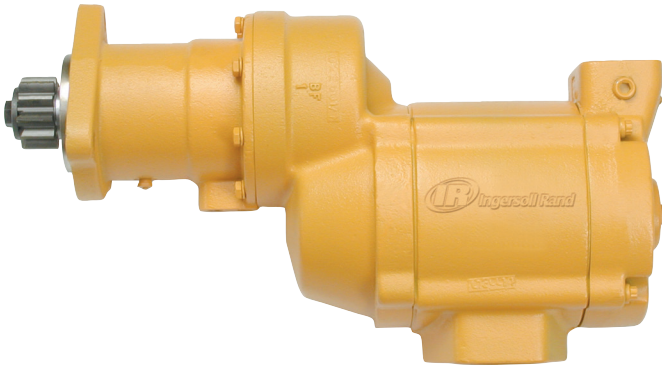


VANE STARTERS

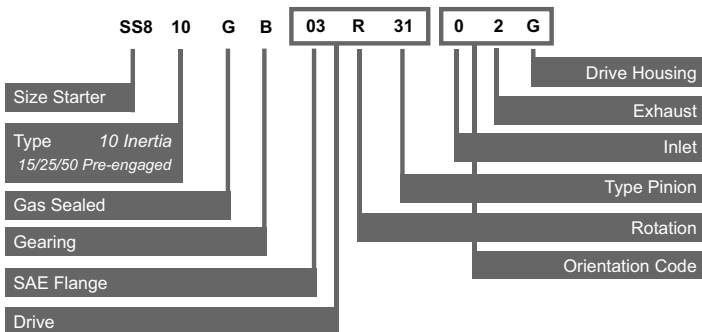
SS800 SERIES



FEATURES/BENEFITS

- Powerful 75 HP motor
- The leading large-frame starter design, the standard by which all others are measured
- Simple design ensures rugged dependability and ease of maintenance
- Multiple offset gear ratios: B = 2.18:1; C = 2.53:1; D = 3.44:1
- Backcap ports for injection lubricating

MODEL CODING



VERSATILE

- All models sealed for use in air or gas applications
- Offset design for simple mounting
- Inertia (SS810) and pre-engaged (SS815, SS825 and SS850) starters available
- 4 inlet, 4 exhaust, and 16 drive housing orientations
- Left- and right-hand rotation available
- 90-150 psi (6.2-10.3 bars) operation



For engine displacement of:

Diesel—1000 to 20,000 CID
(16 to 320 liters)

Carbureted—2000 to 40,000 CID
(32 to 640 liters)

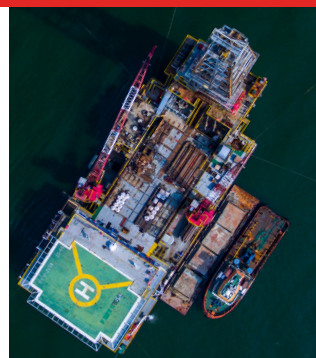
INDUSTRY APPLICATIONS



Marine



Off-highway



Oil and Gas



Power generation



Mining

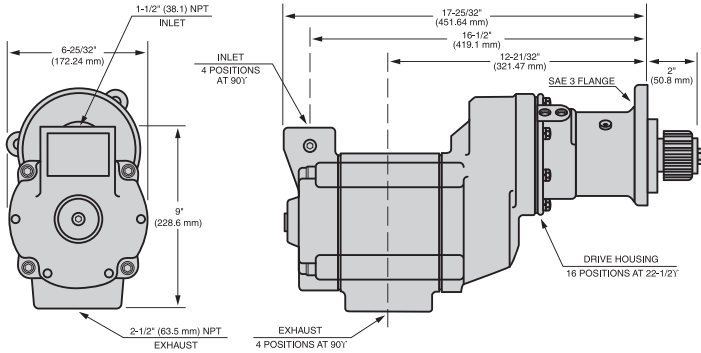
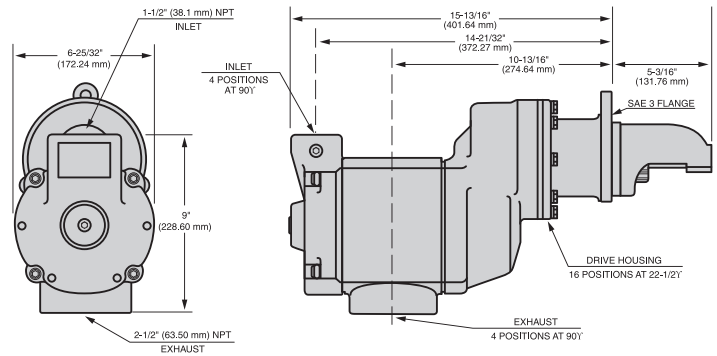
VANE STARTERS

DIMENSIONS

SS810G

Weight: 93 lbs (42.2 kg)

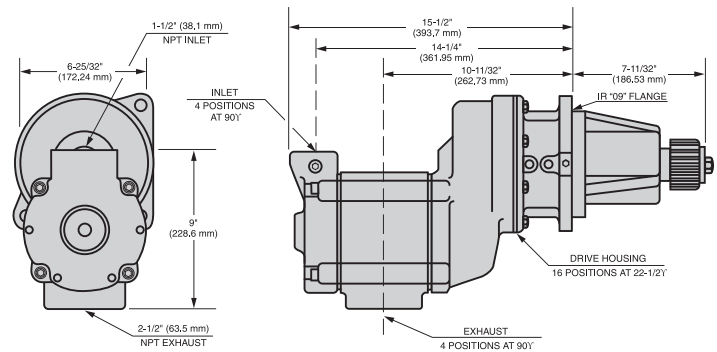
Note: All dimensions shown are for reference only. Specifications subject to change without notice.



SS815G AND SS825G

Weight: SS815G 93 lbs (31.3 kg)

SS825G 95 lbs (43.1 kg)



SS850G


Weight: 123 lbs (55.8 kg)

PERFORMANCE INFORMATION

Pressure psi (bar)	Breakaway Torque ft-lb (Nm)	Speed @ Max HP rpm	Max Power HP (kW)	Flow @ Max HP scfm (L/s)
SS810 AND SS815				
90 (6.2)	170 (230)	2700	45 (34)	1100 (519)
120 (8.3)	205 (278)	2800	58 (43)	1250 (590)
150 (10.3)	250 (339)	3200	75 (56)	1700 (802)
SS825				
90 (6.2)	200 (271)	2300	45 (34)	900 (425)
120 (8.3)	240 (325)	2400	58 (43)	1100 (519)
150 (10.3)	300 (407)	2700	75 (56)	1700 (802)
SS850				
90 (6.2)	260 (352)	1600	45 (34)	800 (378)
120 (8.3)	340 (461)	1800	58 (43)	1000 (472)
150 (10.3)	415 (562)	1900	75 (56)	1275 (602)

VANE STARTERS

PARTS AND ACCESSORIES

	Part Number	Description
	SS800-A674	2 1/2" Muffler
	150BMP-1051B	1/4" 12 V Solenoid Valve
	150BMP-2451B	1/4" 24 V Solenoid Valve
	NL-24-8	In-Line Lubricator
	HDL2 (Stationary)	3/8" NPT Lubricator (1.3 cc)
	HDL3 (Transportation)	3/8" NPT Lubricator (0.4 cc)
	SMB-G618	Gas Rated Push Button Valve
	SMB-618	Push Button Valve

	Part Number	Description
	SRV150	1 1/2" Relay Valve for Air Applications
	SRV150SS	1 1/2" Relay Valve for Air Applications
	150BMP-1064	1/8", 150 psi Pressure Gauge
	ST1000-267-24	1 1/2" Strainer Housing
	ST1000-267-32	2" Strainer Housing
	ST1000-266-24	1 1/2" Strainer (40 mesh)
	ST1000-266-32	2" Strainer (40 mesh)

GENUINE INGERSOLL RAND REPLACEMENT KITS

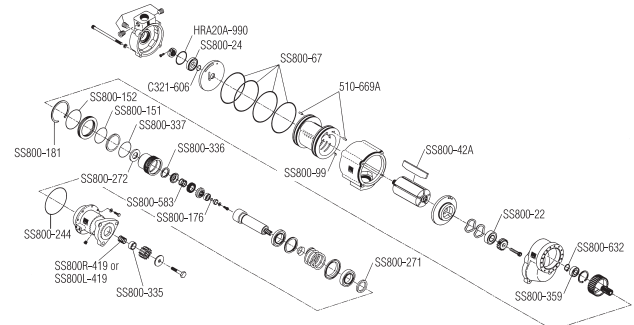
Tune Up Kit Part Number	Description
SS800-TK2	SS815 and SS825 Tune Up Kit
SS810-TK2	SS810 Tune Up Kit
SS850-TK2	SS850 Tune Up Kit



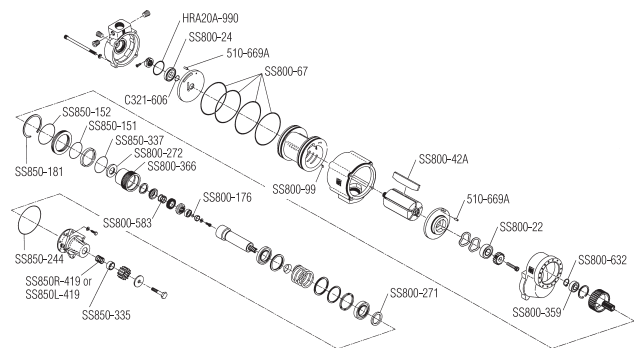
SS800-TK2 Parts



SS810-TK2 Parts



Exploded View of SS800-TK2 Part Location



Exploded View of SS810-TK2 Part Location