



# Hydraulic Motors M5\* Series

Denison Vane Technology, fixed displacement



ENGINEERING YOUR SUCCESS.

## **AVAILABILITY**

Worldwide distribution  
sales force and service

## **FLEXIBILITY**

Solutions for global  
and regional challenges

## **SUSTAINABILITY**

Protecting people  
and environment

## **PROFITABILITY**

Serving for greater value to you  
and your business

## **RELIABILITY**

Maximizing uptime  
and optimizing performance



ENGINEERING YOUR SUCCESS.







With annual sales of **\$11 billion** in fiscal year 2016, Parker Hannifin is the world's leading diversified manufacturer of motion and control technologies and systems. Strong competitive advantages, a clear strategy and goals, consistent execution and performance, and many opportunities for growth, have allowed the company to consistently deliver strong shareholder returns. Parker has increased its annual dividends paid to shareholders for 60 consecutive fiscal years, among the top five longest-running dividend-increase records in the S&P 500 index

For more information, visit the company's website at [www.parker.com](http://www.parker.com) or its investor information website at [www.phstock.com](http://www.phstock.com)



**Contents**

|                            |   |          |
|----------------------------|---|----------|
| <b>General Information</b> | Introduction and product key features _____                 | 3        |
|                            | Description of the M5 motors _____                          | 4 to 5   |
| <b>Main Technical Data</b> | Maximum speed and pressure _____                            | 6        |
|                            | Displacement and specific torque _____                      | 6        |
|                            | Installation and connection _____                           | 7        |
| <b>Ordering Code</b>       | M5A motor _____   | 8        |
|                            | M5AS motor _____  | 9        |
|                            | M5ASF motor _____   | 10       |
|                            | M5AF motor _____  | 11       |
|                            | M5B and M5BS motor _____                                    | 12       |
|                            | M5BF motor _____  | 13       |
| <b>Technical Data</b>      | Max. ratings M5A - M5AS - M5ASF motors _____                | 14       |
|                            | Max. ratings M5AF motor _____                               | 15       |
|                            | Max. ratings M5B - M5BS - M5BF motors _____                 | 16       |
|                            | Flow and torque data M5A - M5AS - M5ASF - M5AF motors _____ | 17       |
|                            | Flow and torque data M5B - M5BS - M5BF motors _____         | 18       |
|                            | Starting performances _____                                 | 19       |
|                            | Permissible shaft loads _____                               | 19       |
|                            | Noise level charts _____                                    | 20       |
| <b>Circuit Design</b>      | Graphical symbols _____                                     | 21       |
|                            | Motor selection example _____                               | 22       |
|                            | Hydraulic fluids, types of seals, motor installation _____  | 23       |
|                            | Minimum replenishment pressure during deceleration _____    | 24       |
|                            | Reverse cycle for fan drives _____                          | 24       |
|                            | Connection of several motors in the same circuit _____      | 24       |
|                            | Electrohydraulic valves _____                               | 25 to 26 |
|                            | Start-up instructions _____                                 | 26       |
| <b>Dimension Drawings</b>  | M5A and M5AS motor with rear ports _____                    | 27       |
|                            | M5A and M5AS motors with opposite ports _____               | 28       |
|                            | M5A and M5AS motors with side ports _____                   | 29       |
|                            | M5A and M5AS motors with reverse valve option _____         | 30       |
|                            | M5ASF motor with opposite ports _____                       | 31       |
|                            | M5ASF motor with side ports _____                           | 32       |
|                            | M5ASF motor with reverse valve option _____                 | 33       |
|                            | M5AF motor _____  | 34       |
|                            | M5B and M5BS motors _____                                   | 35       |
|                            | M5B and M5BS motors with reverse valve option _____         | 36       |
|                            | M5BF motor _____  | 37       |
|                            | M5BF motor with reverse valve option _____                  | 38       |
|                            | Warning _____   | 39       |



## The M5 hydraulic motors

### Introduction

We are very pleased to present you with the M5 hydraulic motors of Parker Hannifin, a range of high quality products designed for the heavy duty applications, gathering the latest developments of our reference "Denison Vane Technology".

Not only are these M5 motors performing very well in many various applications such as mixers, shredders, compressor and generator drives, but they do it in silence and for a long service life. Dedicated construction types have been created for fan drives. They offer a very compact solution and, with their built-in valves, they turn into complete hydraulic cooling units, allowing optimal performances, time and money savings for our OEM customers and end users.

This catalogue describes the 3 existing sizes of M5 hydraulic vane motors in their various standard construction types. Equipment manufacturers who may request additional options or have specific requests, are welcome to contact us for a tailored solution study.



### Key features

#### High performances

The M5 motors have been designed especially for severe duty applications which require long lasting high pressure, high speed capabilities even with low fluid lubricity. Their performances remain stable over time.

#### Long lifetime

The fully pressure balanced concept increases the motor lifetime over its full speed range. Double lip vanes reduce the sensitivity to fluid pollution. The bearing capabilities are totally dedicated to the external loads on the shaft ends, whatever the operating pressures are.

#### Low noise

Simply silent! The Denison Vane Technology allows a very low noise level, whatever the speed.

#### Low torque ripple

Thanks to their 12 vanes, advanced cam ring profile, two torque cycles per revolution and low internal dead volumes, the M5 motors exhibit a very low torque ripple (typical  $\pm 1,5\%$ ), even at low speeds.

#### Versatility and compactness

Up to 7 different displacements for the same motor installation size.

M5 fan drive motors can be mounted directly on the radiator support with a very short overall length. The fan blade can be directly installed on the motor tapered shaft end.

#### Built-in valves

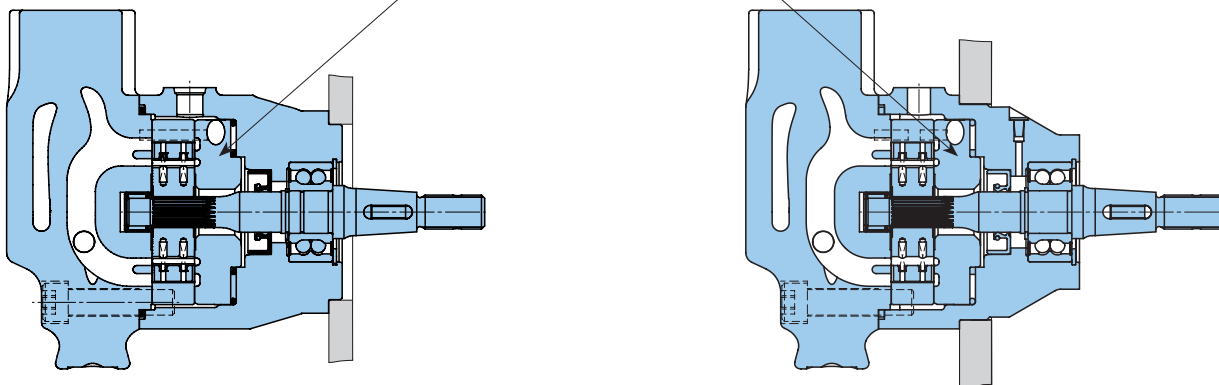
A selection of well proven Parker electro-hydraulic valves are adding even more functionalities. Being directly integrated into the motor they offer the best technical performances and the lowest cost of installation.

**Description**

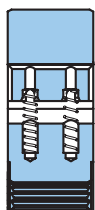
**M5A - M5AS**

**M5ASF**

The floating pressure port plate contains a shuttle valve that passes the highest pressure signal to the clamping area.

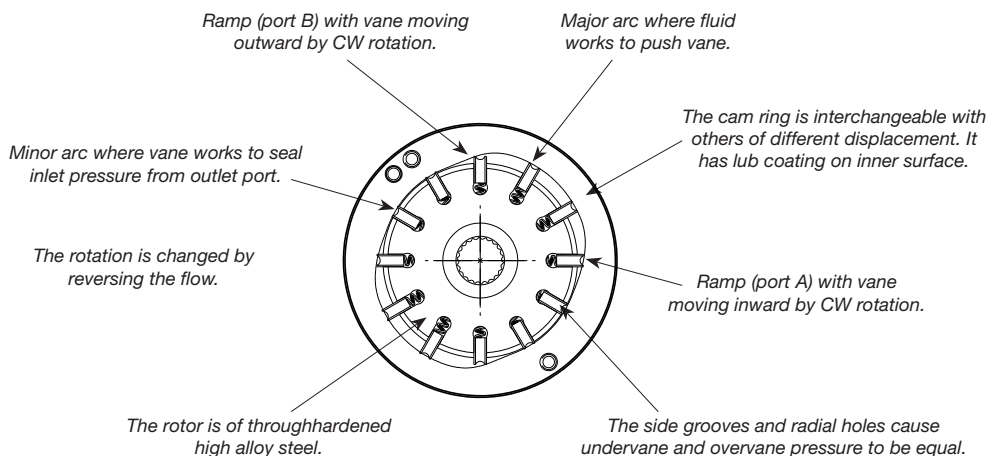


**M5A\***



Section A-A

The vane is urged outward by spring force and centrifugal force.



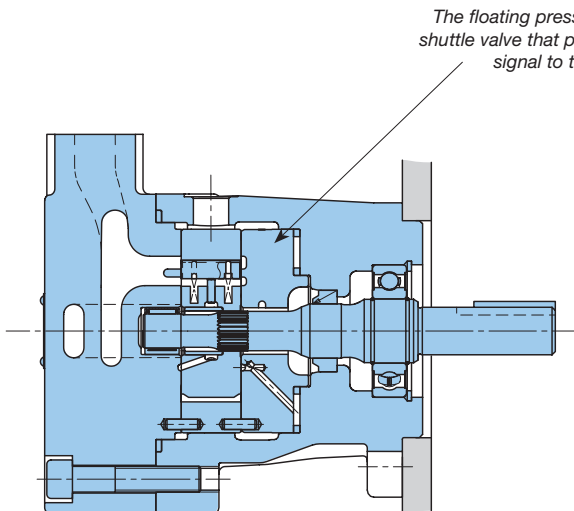
**Operation**

- The motor shaft is driven by the rotor. The vanes, closely fitted into the rotor slots move radially to seal against the cam ring. The ring has two major and two minor radial sections joined by transitional sections called ramps. These contours and the pressures exposed to them are balanced diametrically.
- Light springs urge the vanes radially against the cam contour assuring a seal at zero speed so that the motor can develop starting torque. The springs are assisted by centrifugal force at higher speeds. Radial grooves and holes through the vanes equalize radial hydraulic forces on the vanes at all times. Fluid enters and leaves the motor cartridge through opening in the side plates at the ramps. Each motor port connects to two diametrically opposed ramps. Pressurized fluid entering at Port A torques the rotor clockwise. The rotor transports it to the ramp openings which connect to Port B from which it returns to the low pressure side of the system. Pressure at Port B torques the rotor counter-clockwise.
- The rotor is axially separated from the sideplate surface by the fluid film. The front pressure port plate is clamped against the cam ring by the pressure, maintains optimum clearance as dimensions change with temperature and pressure. A 3-way shuttle valve in the port plate causes clamping pressure in Port A or B, whichever is the highest.
- Materials are chosen for long life efficiency. The vanes, rotor and cam ring are made out of hardened high alloy steels. The cast iron port plate and the end cap are chemically etched to offer a fine crystalline surface allowing a better lubrication at start-up.

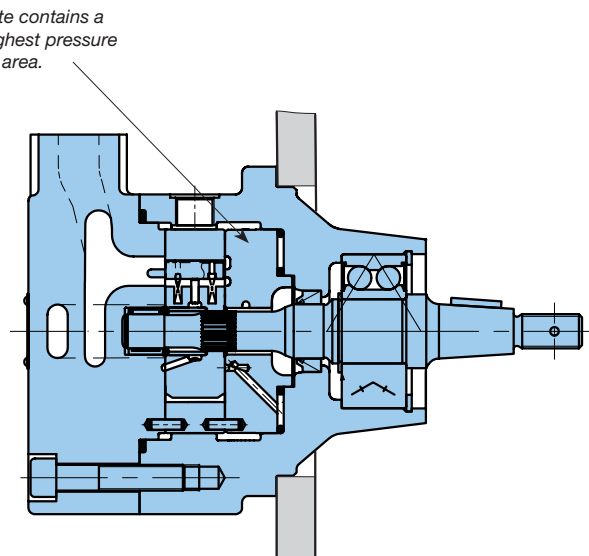


**Description**

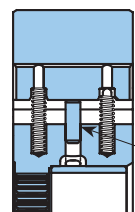
**M5B - M5BS**



**M5BF**



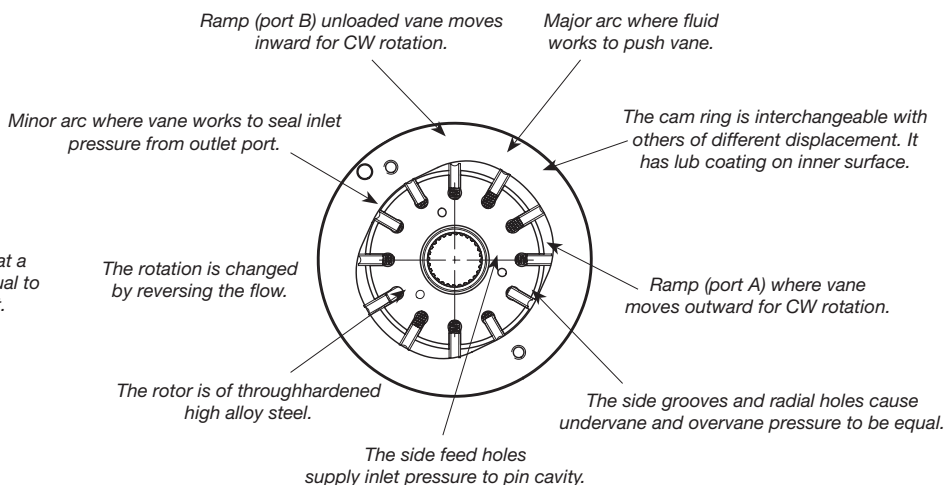
**M5B\***



Section A-A

The pins cavity is at a steady pressure equal to that at inlet port.

The vane is urged outward by the pin force, spring force and centrifugal force.



**Operation**

- The motor shaft is driven by the rotor. The vanes, closely fitted into the rotor slots move radially to seal against the cam ring. The ring has two major and two minor radial sections joined by transitional sections called ramps. These contours and the pressures exposed to them are balanced diametrically.
- Hydraulic pins and light springs urge the vanes radially against the cam contour assuring a seal at zero speed so that the motor can develop starting torque. The springs and pins are assisted by centrifugal force at higher speeds. Radial grooves and holes through the vanes equalize radial hydraulic forces on the vanes at all times. Fluid enters and leaves the motor cartridge through opening in the side plates at the ramps. Each motor port connects to two diametrically opposed ramps. Pressurized fluid entering at Port A torques the rotor clockwise. The rotor transports it to the ramp openings which connect to Port B from which it returns to the low pressure side of the system. Pressure at Port B torques the rotor counter-clockwise.
- The rotor is axially separated from the sideplate surface by the fluid film. The front pressure port plate is clamped against the cam ring by the pressure, maintains optimum clearance as dimensions change with temperature and pressure. A 3-way shuttle valve in the port plate causes clamping pressure in Port A or B, whichever is the highest.
- Materials are chosen for long life efficiency. The vanes, rotor and cam ring are made out of hardened high alloy steels. The cast iron port plate and the end cap are chemically etched to offer a fine crystalline surface allowing a better lubrication at start-up.

**Max. speed and pressure**

| Model of motor | Series | Maximum speed      |       | Maximum pressure<br>with HF-0, HF-2 fluids |       |     |     |
|----------------|--------|--------------------|-------|--|-------|-----|-----|
|                |        | Int.               | Cont. | Int. (6 s/min)                             | Cont. |     |     |
|                |        | rpm                | rpm   | bar  | bar   |     |     |
| M5A            | 006    | 6000               | 5000  | 300 <sup>2)</sup>                          | 280   |     |     |
|                | 010    |                    |       |  |       |     |     |
|                | 012    |                    |       |  |       |     |     |
| M5AS           | 016    | 4500               | 3800  |  |       |     |     |
| M5ASF          | 018    | 4000               | 3300  |  |       |     |     |
|                | 023    | 3000               | 2500  |  |       |     |     |
|                | 025    |                    |       |  |       |     |     |
| M5AF           | 006    | 6000               | 5000  | 300  | 300   |     |     |
|                | 010    |                    |       |  |       |     |     |
|                | 012    |                    |       |  |       |     |     |
|                | 016    | 4500               | 3800  |  |       |     |     |
|                | 018    | 4000               | 3300  |  |       |     |     |
|                | 023    | 3000               | 2500  | 280  | 280   |     |     |
| 025            |        |                    |       |  |       |     |     |
| M5B            | 012    | 6000               | 4000  | 320  | 290   |     |     |
|                | 018    |                    |       |  |       |     |     |
|                | 023    |                    |       |  |       |     |     |
| M5BS           | 028    | 4000               | 3000  |  |       |     |     |
| M5BF           | 036    | 3000 <sup>1)</sup> | 2500  |  |       | 280 | 260 |
|                | 045    |                    |       |  |       |     |     |

<sup>1)</sup> Bi-rotational motor only. Others = 2500 rpm

<sup>2)</sup> For fan drive application only. Others = 280 bar max

**Displacement and specific torque**

| Series | Theoretical Displacement V <sub>i</sub> | Theoretical torque | Theoretical power at 100 rpm | Typical data at 2000 rpm - 280 bar |      | Typical data (M5AF only) at 2000 rpm - 300 bar |                   |
|--------|---|--------------------|------------------------------|------------------------------------|------|--|-------------------|
|        | cm <sup>3</sup> /rev                    | N.m/bar            | kW/bar                       | N.m                                | kW   | N.m  | kW                |
| M5A    | 6,3                                     | 0,100              | 0,0011                       | 24,4                               | 5,1  | 26,1   | 5,5               |
|        | 10,0                                    | 0,159              | 0,0017                       | 40,8                               | 8,6  | 43,7   | 9,2               |
| M5AS   | 12,5                                    | 0,199              | 0,0021                       | 52,0                               | 10,9 | 55,7   | 11,7              |
| M5ASF  | 16,0                                    | 0,255              | 0,0027                       | 67,6                               | 14,2 | 71,4   | 15,2              |
|        | 18,0                                    | 0,286              | 0,0030                       | 75,8                               | 15,9 | 81,2   | 17,0              |
| M5AF   | 23,0                                    | 0,366              | 0,0038                       | 98,4                               | 20,4 | N/A <sup>1)</sup>                              | N/A <sup>1)</sup> |
|        | 25,0                                    | 0,398              | 0,0042                       | 107,4                              | 22,5 | N/A <sup>1)</sup>                              | N/A <sup>1)</sup> |

<sup>1)</sup> 023 - 025 = 280 bar max.

| Series | Theoretical Displacement V <sub>i</sub> | Theoretical torque | Theoretical power at 100 rpm | Typical data at 2000 rpm - 320 bar |                   |
|--------|---|--------------------|------------------------------|------------------------------------|-------------------|
|        | cm <sup>3</sup> /rev                    | N.m/bar            | kW/bar                       | N.m                                | kW                |
| M5B    | 12,0                                    | 0,191              | 0,0020                       | 50,6                               | 10,6              |
|        | 18,0                                    | 0,286              | 0,0030                       | 81,2                               | 17,0              |
| M5BS   | 23,0                                    | 0,366              | 0,0038                       | 117,1                              | 24,5              |
|        | 28,0                                    | 0,446              | 0,0047                       | 132,1                              | 27,7              |
| M5BF   | 36,0                                    | 0,572              | 0,0060                       | 172,8                              | 36,2              |
|        | 45,0                                    | 0,716              | 0,0075                       | N/A <sup>1)</sup>                  | N/A <sup>1)</sup> |

<sup>1)</sup> 045 = 280 bar max.



**Installation and connection**

|                                    | Mounting flange  | Shaft end  | Port A   | Port B  | Drain port   |
|------------------------------------|--|--|--|---|--|
| <b>M5A Uni-rotational</b>          | ISO 3019-2<br>80 A2 SW<br>2-bolts<br>pilot Ø 80                  | Keyed taper 1/5<br><br>Keyed ISO G20N  | Threaded port :<br>- M22 x 1,5 - ISO 6149-1  | Threaded port :<br>- M27 x 2 - ISO-6149-1   | Threaded port :<br>- M12 x 1,5 - ISO-6149-1  |
| <b>M5A with reverse function</b>   |  |  |  |   |  |
| <b>M5A Bi-rotational</b>           |  |  |  |   |  |
| <b>M5AS Uni-rotational</b>         | SAE A<br>J744<br>2-bolts<br>pilot Ø 82,55                        | Keyed taper SAE B<br><br>Keyed SAE B<br><br>Keyed taper 1/5<br><br>Keyed ISO G20N      | Threaded port :<br>- SAE 10 - (7/8"-14 UNF)<br>- 1/2" BSPP   | Threaded port :<br>- SAE 12 - (1.1/16"-12 UNF)<br>- 3/4" BSPP                           | Threaded port :<br>- SAE 6 - (9/16"-18 UNF)<br>- 1/4" BSPP                             |
| <b>M5AS with reverse function</b>  |  |  |  |   |  |
| <b>M5AS Bi-rotational</b>          |  |  |  |   |  |
| <b>M5ASF Uni-rotational</b>        | Special<br>2-bolts<br>pilot Ø 100<br>or<br>pilot Ø 101,6         | Keyed taper SAE B<br><br>Keyed SAE B<br><br>Keyed taper 1/5<br><br>Keyed ISO G20N      | Threaded port :<br>- M22 x 1,5 - ISO 6149-1<br>- SAE 10 - (7/8"-14 UNF)<br>- 1/2" BSPP   | Threaded port :<br>- M27 x 2 - ISO 6149-1<br>- SAE 12 - (1.1/16"-12 UNF)<br>- 3/4" BSPP | Threaded port :<br>- M12 x 1,5 - ISO 6149-1<br>- SAE 6 - (9/16"-18 UNF)<br>- 1/4" BSPP |
| <b>M5ASF with reverse function</b> |  |  |  |   |  |
| <b>M5ASF Bi-rotational</b>         |  |  |  |   |  |
| <b>M5AF</b>                        | Special<br>2 bolts<br>pilot Ø 120                                | Keyed taper non SAE<br><br>Keyed non SAE   | - SAE flange 3/4" - 4 bolts with metric thread<br>- SAE flange 3/4" - 4 bolts with UNC thread<br>- Threaded port M22 x 1,5 - ISO 6149-1<br>- Threaded port SAE 12 - (1.1/16"-12 UNF) |   | Threaded port :<br>- M12 x 1,5 - ISO 6149-1<br>- SAE 6 - (9/16"-18 UNF)                |
| <b>M5B</b>                         | ISO 3019-2<br>100 A2 HW<br>100 B4 SW<br>2/4 bolts<br>pilot Ø 100 | Keyed cyl. SAE B<br><br>Keyed cyl. ISO E25M<br><br>Splined SAE B<br><br>Splined SAE BB | - SAE flange 3/4" - 4 bolts with metric thread<br>- Threaded port M27 x 2 - ISO 6149-1   |   | Threaded port :<br>- M18 x 1,5 - ISO 6149-1<br>- SAE 6 - (9/16"-18 UNF)                |
| <b>M5B with reverse function</b>   |  |  | Threaded port :<br>- M27 x 2 - ISO 6149-1  | Threaded port :<br>- M33 x 2 - ISO 6149-1   |  |
| <b>M5BS</b>                        |  |  | - SAE flange 3/4" - 4 bolts with metric thread<br>- SAE flange 3/4" - 4 bolts with UNC thread<br>- Threaded port M27 x 2 - ISO 6149-1<br>- Threaded port SAE 12 - (1.1/16"-12 UNF)   |   |  |
| <b>M5BS with reverse function</b>  |  |  | Threaded port :<br>- M27 x 2 - ISO 6149-1<br>- SAE 12 - (1.1/16"-12 UNF)   | Threaded port :<br>- M33 x 2 - ISO 6149-1<br>- SAE 16 - (1.5/16"-16 UNF)                |  |
| <b>M5BF</b>                        | Special<br>2 bolts<br>pilot Ø 135                                | Keyed taper non SAE<br><br>Keyed cyl. SAE C<br><br>Keyed cyl. ISO G32N                 | - SAE flange 3/4" - 4 bolts with metric thread<br>- SAE flange 3/4" - 4 bolts with UNC thread<br>- Threaded port M27 x 2 - ISO 6149-1<br>- Threaded port SAE 12 - (1.1/16"-12 UNF)   |   |  |
| <b>M5BF with reverse function</b>  |  |  | Threaded port :<br>- M27 x 2 - ISO 6149-1<br>- SAE 12 - (1.1/16"-12 UNF)   | Threaded port :<br>- M33 x 2 - ISO 6149-1<br>- SAE 16 - (1.5/16"-16 UNF)                |  |

**Ordering Code**

**M5A model description**

**Model No.** M5A - 018 - 5 N 12 - A 1 Y - 00000

**M5A series** - ISO 3019-2  
Mounting flange 80 A2 SW

**Cam ring**  
Volumetric displacement (ml/rev)  
006 = 6,3      018 = 18,0  
010 = 10,0      023 = 23,0  
012 = 12,5      025 = 25,0  
016 = 16,0

**Type of shaft M5A**  
5 = Taper 1/5  
6 = Keyed (ISO G20N)

**Direction of rotation (shaft end view)**  
R = Clockwise (with anti-cavitation check valve)  
L = Counter-clockwise (with anti-cavitation check valve)  
N = Bi-rotational (without any anti-cavitation check valve)

**End cap type** (See table)  
Motor with opposite ports : 01, 02, 03, 04 (not combinable with a motor having the reverse valve option)  
Motor with side ports : 11, 12, 13, 14  
Motor with rear ports : 21, 22, 23, 24 (only combinable with a bi-rotational motor)

**Design letter**

**Max pressure setting value**  
00 = For motor without pressure valve  
21 = Valve set at 210 bar  
28 = Valve set at 280 bar  
\*\* Customised value (please consult Parker)

**Pressure valve type**  
0 = Without pressure valve  
P = Proportional valve  
M = Mechanical valve

**Option**  
0 = No option  
R = Reverse valve

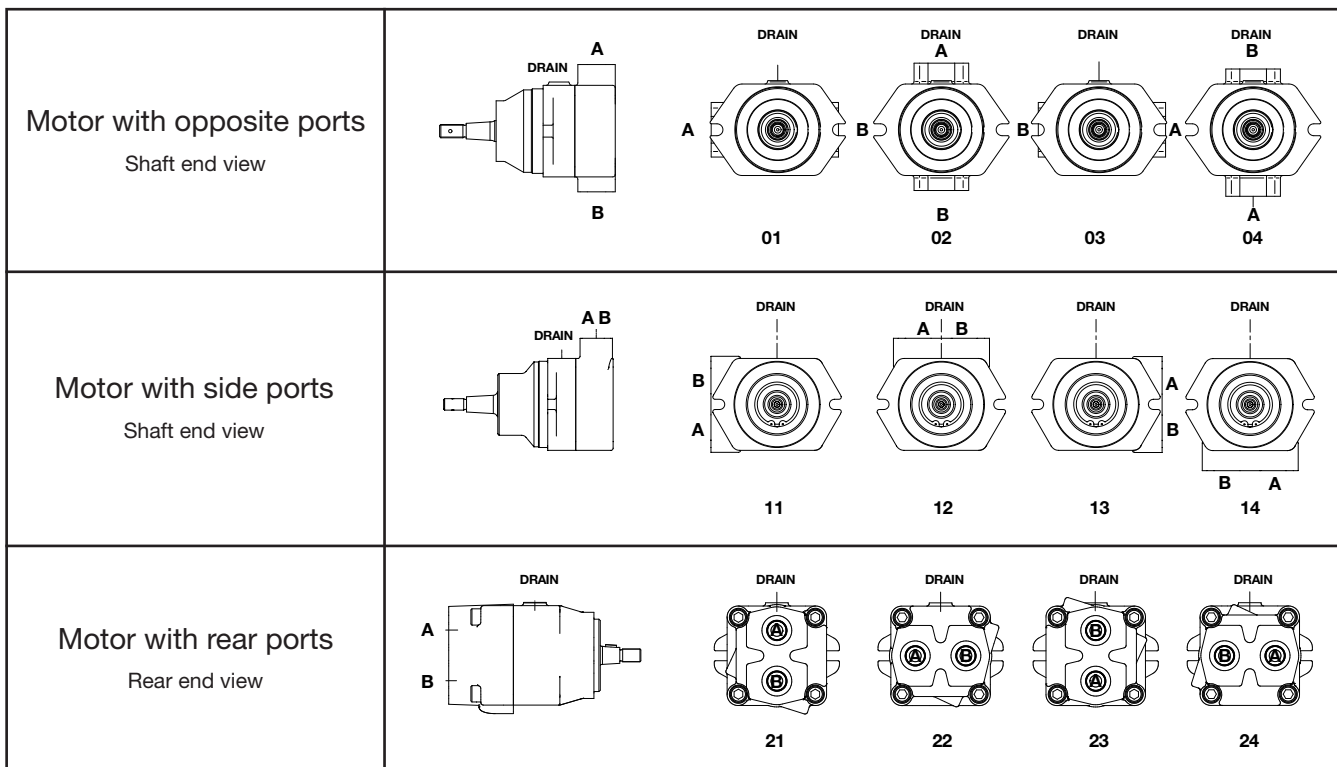
**Connection variables**

| M5A bi-rotational series |                                   |                                   |
|--------------------------|-----------------------------------|-----------------------------------|
| Code                     | A & B ports                       | Drain port                        |
| Y                        | Metric threaded port<br>M22 x 1,5 | Metric threaded port<br>M12 x 1,5 |

| M5A uni-rotational series and reverse valve option |                                   |                                 |                                   |
|--|-----------------------------------|---------------------------------|-----------------------------------|
| Code   | A port                            | B port                          | Drain port                        |
| Y  | Metric threaded port<br>M22 x 1,5 | Metric threaded port<br>M27 x 2 | Metric threaded port<br>M12 x 1,5 |

**Seal class**  
1 = S1 BUNA N  
5 = S5 - VITON®

**Position of the ports** (Rotation way see page 21)





Ordering code

M5AS model description

Model No. **M5AS - 018 - 1 R 12 - A 1 W - 00 M 28**

**M5AS series**  
SAE A 2-bolts mounting flange J744

**Cam ring**  
Volumetric displacement (ml/rev)  
006 = 6,3      018 = 18,0  
010 = 10,0     023 = 23,0  
012 = 12,5     025 = 25,0  
016 = 16,0

**Type of shaft M5AS**  
1 = Taper (SAE B)  
2 = Keyed (SAE B)  
5 = Taper 1/5  
6 = Keyed (ISO G20N)

**Direction of rotation (shaft end view)**  
R = Clockwise (with anti-cavitation check valve)  
L = Counter-clockwise (with anti-cavitation check valve)  
N = Bi-rotational (without any anti-cavitation check valve)

**End cap type** (See table)  
Motor with opposite ports : 01, 02, 03, 04 (not combinable with a motor having the reverse valve option)  
Motor with side ports : 11, 12, 13, 14  
Motor with rear ports : 21, 22, 23, 24 (only combinable with a bi-rotational motor)

**Design letter**

**Max pressure setting value**  
00 = For motor without pressure valve  
21 = Valve set at 210 bar  
28 = Valve set at 280 bar  
\*\* Customised value (please consult Parker)

**Pressure valve type**  
0 = Without pressure valve  
P = Proportional valve  
M = Mechanical valve

**Option**  
0 = No option  
R = Reverse valve

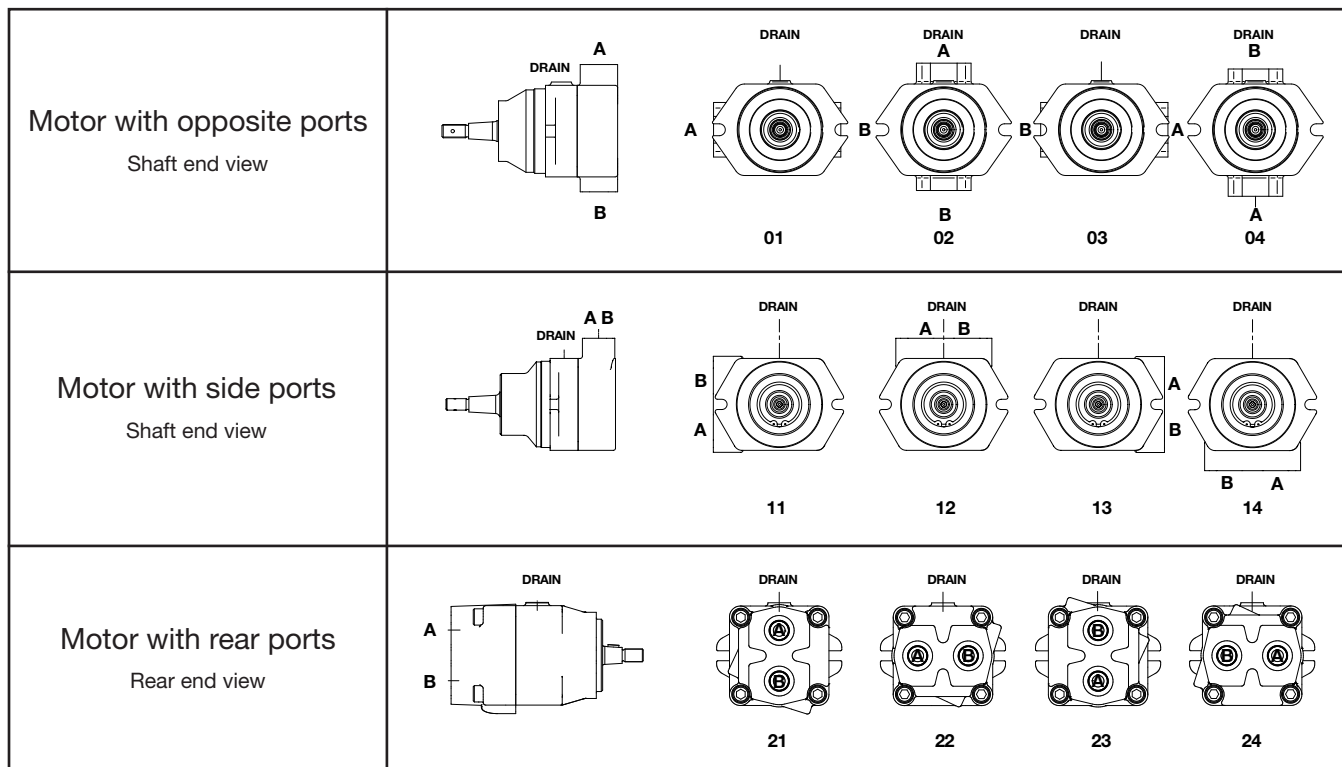
**Connection variables**

| M5AS bi-rotational series |                          |                         |
|---------------------------|--------------------------|-------------------------|
| Code                      | A & B ports              | Drain port              |
| W                         | UNF threaded port SAE 12 | UNF threaded port SAE 6 |
| Z                         | 3/4" BSPP threaded port  | 1/4" BSPP threaded port |

| M5AS uni-rotational series and reverse valve option |                          |                          |                         |
|---|--------------------------|--------------------------|-------------------------|
| Code  | A port                   | B port                   | Drain port              |
| W   | UNF threaded port SAE 10 | UNF threaded port SAE 12 | UNF threaded port SAE 6 |
| Z   | 1/2" BSPP threaded port  | 3/4" BSPP threaded port  | 1/4" BSPP threaded port |

**Seal class**  
1 = S1 BUNA N  
5 = S5 - VITON®

Position of the ports (Rotation way see page 21)



**Ordering Code**

**M5ASF model description**

**Model No.** M5ASF - 018 - 1 R 12 - A 1 W - 0 R P 21

**M5ASF series**  
2-bolts mounting flange, pilot Ø 101,6  
2-bolts mounting flange, pilot Ø 100  
(metric ports version Y)

**Cam ring**  
Volumetric displacement (ml/rev)  
006 = 6,3            018 = 18,0  
010 = 10,0        023 = 23,0  
012 = 12,5        025 = 25,0  
016 = 16,0

**Type of shaft**  
1 = Taper (SAE B)  
2 = Keyed (SAE B)  
5 = Taper 1/5  
6 = Keyed (ISO G20N)

**Direction of rotation (shaft end view)**  
R = Clockwise (with anti-cavitation check valve)  
L = Counter-clockwise (with anti-cavitation check valve)  
N = Bi-rotational (without any anti-cavitation check valve)

**End cap type** (See table)  
Motor with opposite ports : 01, 02, 03, 04 (not combinable with motor having the reverse valve option)  
Motor with side ports : 11, 12, 13, 14

**Design letter**

**Seal class**  
1 = S1 BUNA N  
5 = S5 - VITON®

**Max pressure setting value**  
00 = For motor without pressure valve  
21 = Valve set at 210 bar  
28 = Valve set at 280 bar  
\*\* Customised value (please consult Parker)

**Pressure valve type**  
0 = Without pressure valve  
P = Proportional valve  
M = Mechanical valve

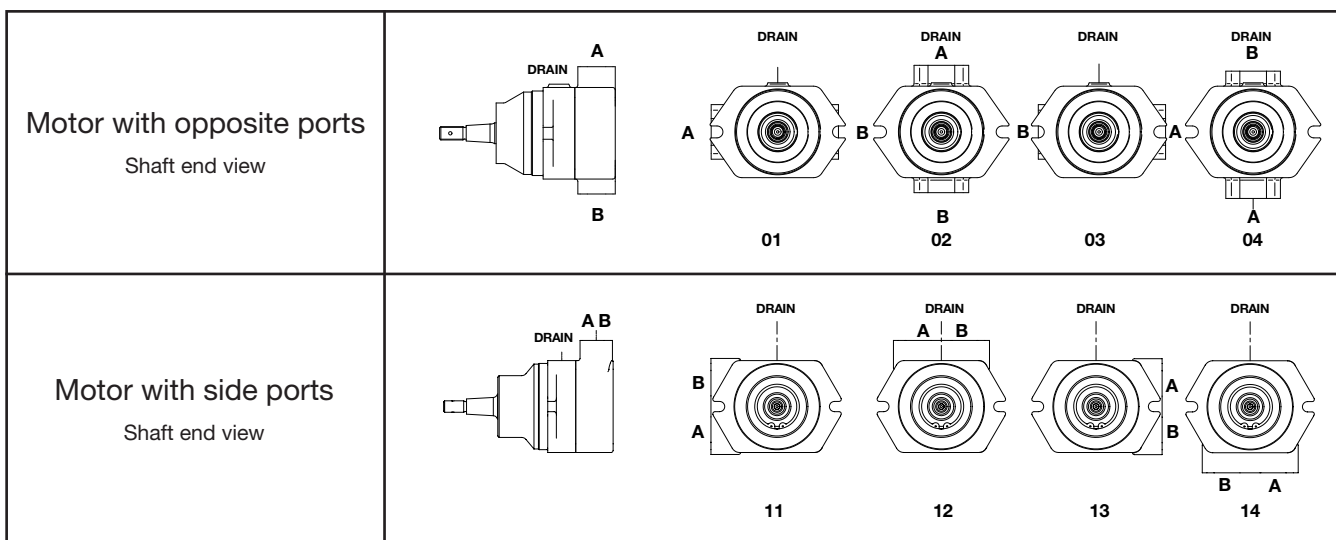
**Option**  
0 = No option  
R = Reverse valve

**Connection variables**

| M5ASF bi-rotational series |                                   |                                   |
|----------------------------|-----------------------------------|-----------------------------------|
| Code                       | A & B ports                       | Drain port                        |
| Y                          | Metric threaded port<br>M22 x 1,5 | Metric threaded port<br>M12 x 1,5 |
| W                          | UNF threaded port<br>SAE 12       | UNF threaded port<br>SAE 6        |
| Z                          | 3/4" BSPP threaded port           | 1/4" BSPP threaded port           |

| M5ASF uni-rotational and reverse valve option |                                   |                                 |                                   |
|---|-----------------------------------|---------------------------------|-----------------------------------|
| Code  | A port                            | B port                          | Drain port                        |
| Y   | Metric threaded port<br>M22 x 1,5 | Metric threaded port<br>M27 x 2 | Metric threaded port<br>M12 x 1,5 |
| W   | UNF threaded port<br>SAE 10       | UNF threaded port<br>SAE 12     | UNF threaded port<br>SAE 6        |
| Z   | 1/2" BSPP threaded port           | 3/4" BSPP threaded port         | 1/4" BSPP threaded port           |

**Position of the ports (Rotation way see page 21)**





**Ordering code**

**M5AF model description**

**Model No.** M5AF - 018 - 1 R 02 - B 1 M - 0 0 P 21

**M5AF series**  
2-bolts mounting flange, pilot Ø 120,0

**Cam ring**  
Volumetric displacement (ml/rev)  
006 = 6,3                    018 = 18,0  
010 = 10,0                 023 = 23,0  
012 = 12,5                 025 = 25,0  
016 = 16,0

**Type of shaft**  
1 = Taper (non SAE)  
2 = Keyed (non SAE)

**Direction of rotation (shaft end view)**  
R = Clockwise (with anti-cavitation check valve)  
L = Counter-clockwise (with anti-cavitation check valve)  
N = Bi-rotational (without any anti-cavitation check valve)

**End cap type** (See table)  
Motor with side ports : 01, 02, 03, 04

**Design letter**

**Seal class**  
1 = S1 BUNA N  
5 = S5 - VITON®

**Max pressure setting value**  
00 = For motor without pressure valve  
21 = Valve set at 210 bar  
28 = Valve set at 280 bar  
\*\* Customised value (please consult Parker)

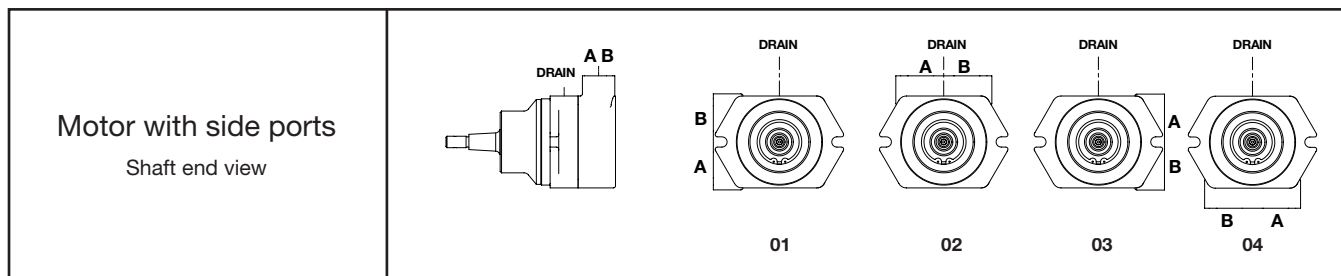
**Pressure valve type**  
0 = Without pressure valve  
P = Proportional valve  
M = Mechanical valve

**Option**  
0 = No option  
A = Anti-starve valve (only with end cap M & 0)

**Connection variables**

| M5AF uni-rotational and bi-rotational series |   |                                |
|--|---|--------------------------------|
| Code   | A & B ports                                 | Drain port                     |
| M  | 4 bolts SAE flange 3/4" with metric threads | Metric threaded port M12 x 1,5 |
| 0  | 4 bolts SAE flange 3/4" with UNC threads    | UNF threaded port SAE 6        |
| Y  | Metric threaded port M22 x 1,5              | Metric threaded port M12 x 1,5 |
| W  | UNF threaded port SAE 12                    | UNF threaded port SAE 6        |

**Position of the ports (Rotation way see page 21)**



**Ordering code**

**M5B - M5BS model description**

**Model No.** M5BS - 036 - 1 R 02 - B 1 M - 0 0 M 28

**M5B series** - ISO 3019-2

Mounting flange 100 A2/B4 HW

**M5BS series**

SAE B 2/4 -bolts mounting flange J744

**Cam ring**

Volumetric displacement (ml/rev)

012 = 12,5            028 = 28,0

018 = 18,0            036 = 36,0

023 = 23,0            045 = 45,0

**Type of shaft**

- 1 = Keyed (SAE B)
- 2 = Keyed (ISO E25M)
- 3 = Splined (SAE B)
- 4 = Splined (SAE BB)

**Direction of rotation (shaft end view)**

- R = Clockwise (with anti-cavitation check valve)
- L = Counter-clockwise (with anti-cavitation check valve)
- N = Bi-rotational (without any anti-cavitation check valve)

**End cap type** (See table)

Motor with side ports : 01, 02, 03, 04

**Design letter**

**Seal class**

- 1 = S1 BUNA N
- 5 = S5 - VITON®

**Max pressure setting value**

- 00 = For motor without pressure valve
- 21 = Valve set at 210 bar
- 28 = Valve set at 280 bar
- \*\* Customised value (please consult Parker)

**Pressure valve type**

- 0 = Without pressure valve
- P = Proportional valve
- M = Mechanical valve

**Option**

- 0 = No option
- A = Anti-starve valve (only with end cap M & 0)
- R = Reverse valve (only Y and W)

**Connection variables**

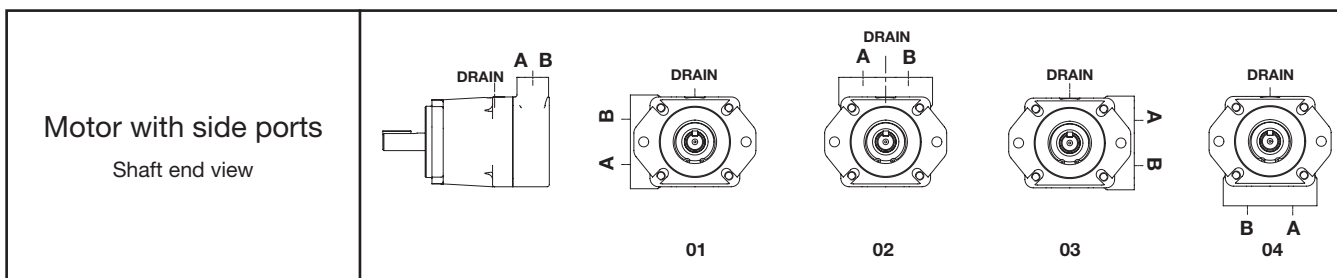
| M5B - M5BS uni-rotational and bi-rotational series |   |                                |
|--|---|--------------------------------|
| Code   | A & B ports                                 | Drain port                     |
| M  | 4 bolts SAE flange 3/4" with metric threads | Metric threaded port M18 x 1,5 |
| Y  | Metric threaded port M27 x 2                | Metric threaded port M18 x 1,5 |

| M5BS uni-rotational and bi-rotational series |  |                         |
|--|--|-------------------------|
| Code   | A & B ports                              | Drain port              |
| 0  | 4 bolts SAE flange 3/4" with UNC threads | UNF threaded port SAE 6 |
| W  | UNF threaded port SAE 12                 | UNF threaded port SAE 6 |

| M5B - M5BS reverse valve option |                              |                              |                                |
|---------------------------------|------------------------------|------------------------------|--------------------------------|
| Code                            | A port                       | B port                       | Drain port                     |
| Y                               | Metric threaded port M27 x 2 | Metric threaded port M33 x 2 | Metric threaded port M18 x 1,5 |

| M5BS reverse valve option |                          |                          |                         |
|---------------------------|--------------------------|--------------------------|-------------------------|
| Code                      | A port                   | B port                   | Drain port              |
| W                         | UNF threaded port SAE 12 | UNF threaded port SAE 16 | UNF threaded port SAE 6 |

**Position of the ports (Rotation way see page 21)**



**Ordering code**

**M5BF model description**

**Model No.** M5BF - 036 - W R 04 - B 1 Y - 0 R P 28

**M5BF series** \_\_\_\_\_  
2-bolts mounting flange, pilot Ø 135

**Cam ring** \_\_\_\_\_  
Volumetric displacement (ml/rev)  
012 = 12,5            028 = 28,0  
018 = 18,0            036 = 36,0  
023 = 23,0            045 = 45,0

**Type of shaft** \_\_\_\_\_  
1 = Taper (non SAE)  
2 = Keyed (SAE C)  
W = Keyed cyl. (ISO G32N)

**Direction of rotation (shaft end view)** \_\_\_\_\_  
R = Clockwise (with anti-cavitation check valve)  
L = Counter-clockwise (with anti-cavitation check valve)  
N = Bi-rotational (without any anti-cavitation check valve)

**End cap type** (See table) \_\_\_\_\_  
Motor with side ports : 01, 02, 03, 04

**Design letter** \_\_\_\_\_

**Seal class** \_\_\_\_\_  
1 = S1 BUNA N  
5 = S5 - VITON®

**Max pressure setting value**

00 = For motor without pressure valve  
21 = Valve set at 210 bar  
28 = Valve set at 280 bar  
\*\* Customised value (please consult Parker)

**Pressure valve type**

0 = Without pressure valve  
P = Proportional valve  
M = Mechanical valve

**Option**

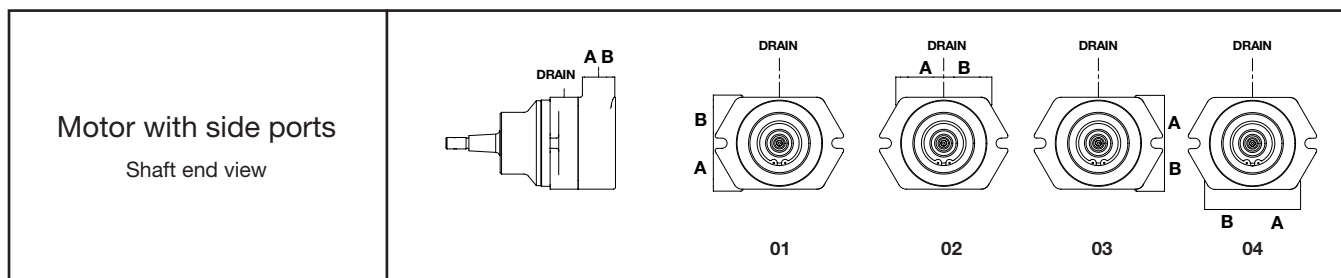
0 = No option  
A = Anti-starve valve (only with end cap M & 0)  
R = Reverse valve (only Y and W)

**Connection variables**

| M5BF uni-rotational and bi-rotational series |   |                                |
|--|---|--------------------------------|
| Code   | A & B ports                                 | Drain port                     |
| M  | 4 bolts SAE flange 3/4" with metric threads | Metric threaded port M18 x 1,5 |
| 0  | 4 bolts SAE flange 3/4" with UNC threads    | UNF threaded port SAE 6        |
| Y  | Metric threaded port M27 x 2                | Metric threaded port M18 x 1,5 |
| W  | UNF threaded port SAE 12                    | UNF threaded port SAE 6        |

| M5BF reverse valve option |                              |                              |                                |
|---------------------------|------------------------------|------------------------------|--------------------------------|
| Code                      | A port                       | B port                       | Drain port                     |
| Y                         | Metric threaded port M27 x 2 | Metric threaded port M33 x 2 | Metric threaded port M18 x 1,5 |
| W                         | UNF threaded port SAE 12     | UNF threaded port SAE 16     | UNF threaded port SAE 6        |

**Position of the ports (Rotation way see page 21)**

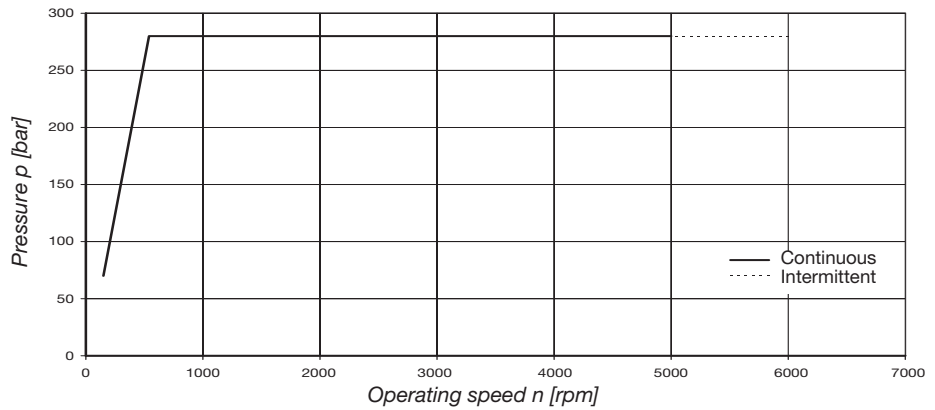




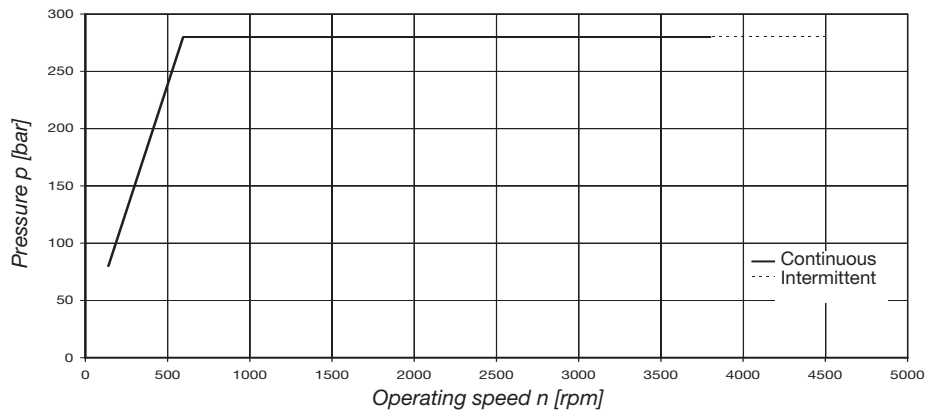
**Technical Data**

**Max. ratings M5A - M5AS - M5ASF**

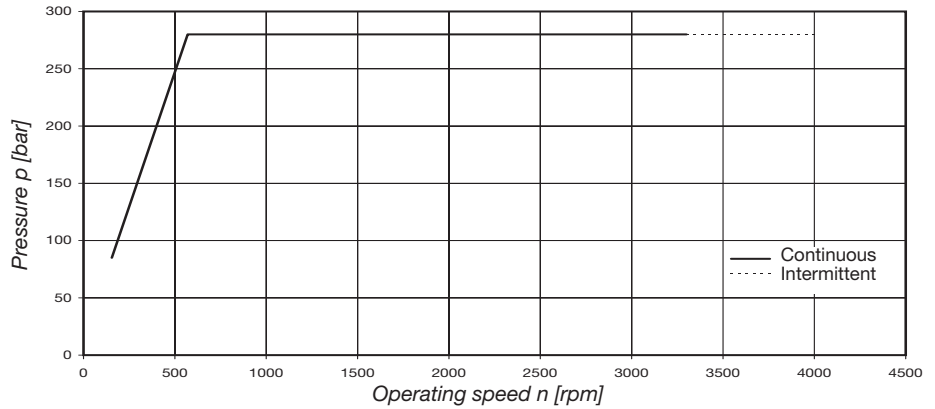
M5A - M5AS - M5ASF  
 006 - 010



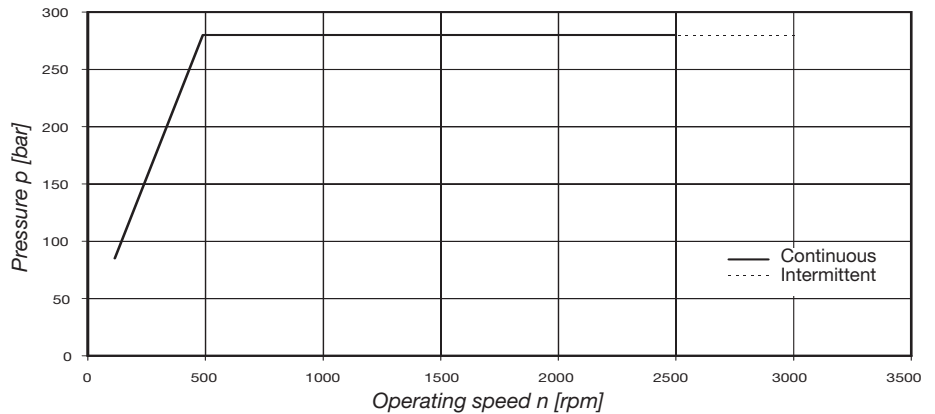
M5A - M5AS - M5ASF  
 012 - 016



M5A - M5AS - M5ASF  
 018



M5A - M5AS - M5ASF  
 023 - 025

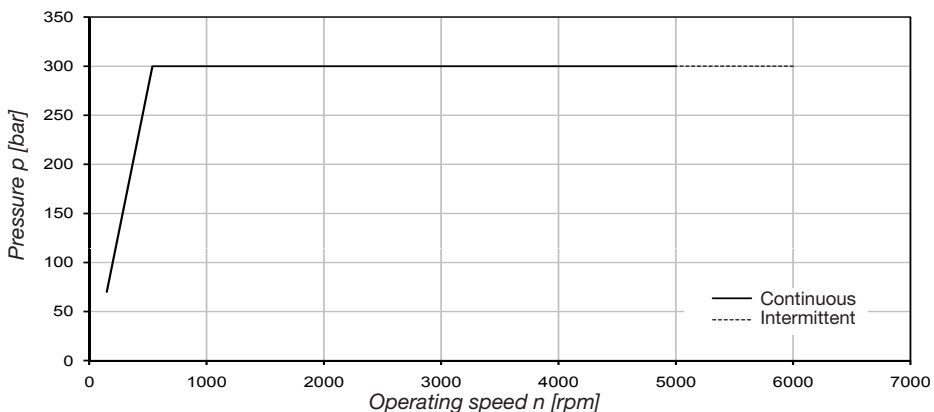


- Running condition limits - Typical curves at 26 cSt @ 45° - For starting performances see page 19.

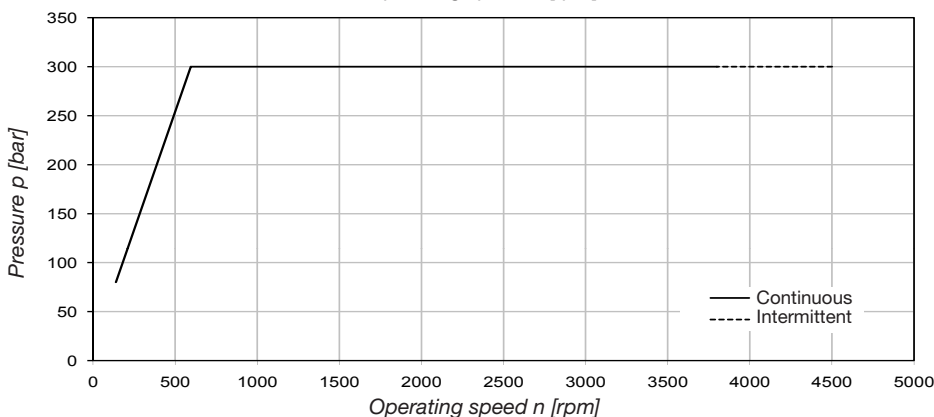
- For higher specifications or for operating speed under < 100 rpm, please consult Parker.

Max. ratings M5AF

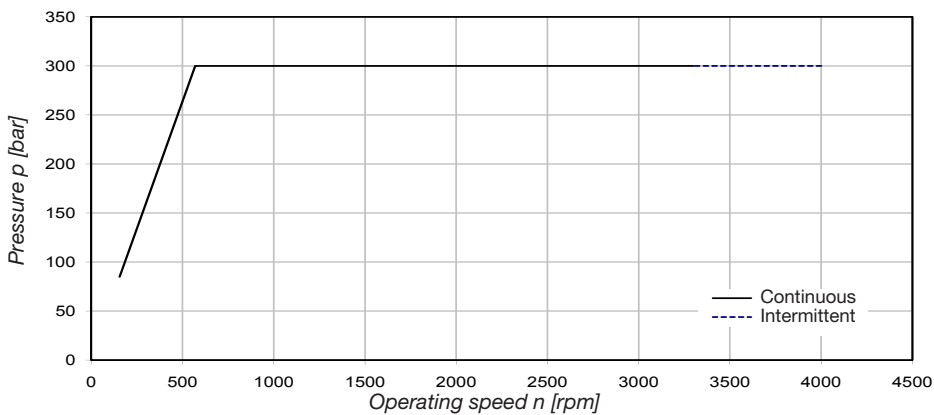
M5AF  
006 - 010



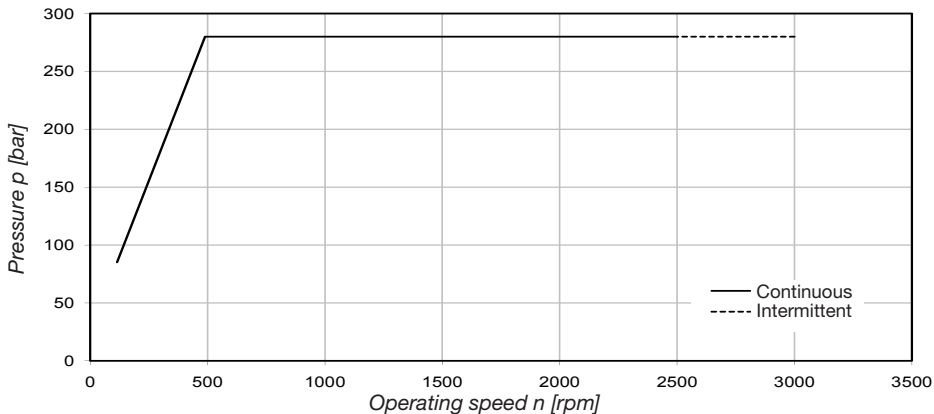
M5AF  
012 - 016



M5AF  
018



M5AF  
023 - 025



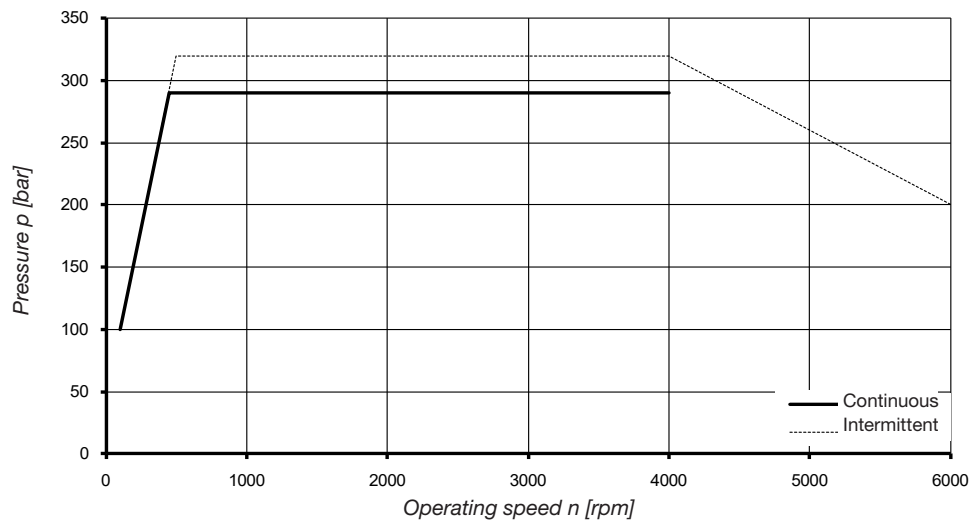
- Running condition limits - Typical curves at 26 cSt @ 45° - For starting performances see page 19.

- For higher specifications or for operating speed under < 100 rpm, please consult Parker.

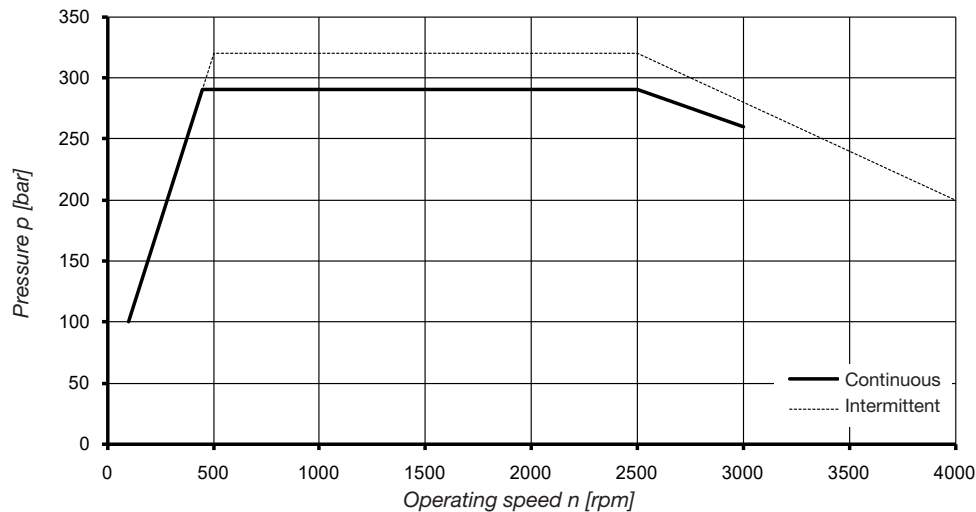
**Technical Data**

**Max. ratings M5B - M5BS - M5BF**

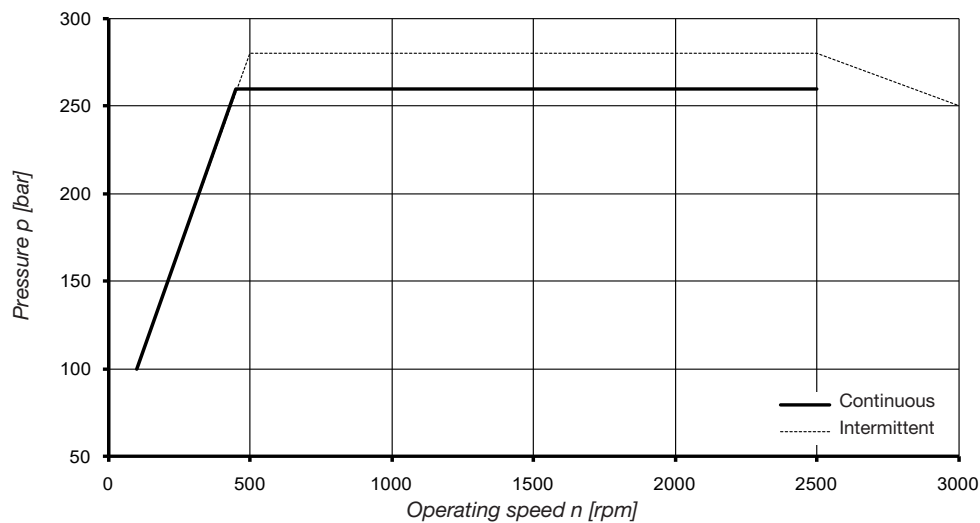
M5B - M5BS - M5BF  
 012 - 018



M5B - M5BS - M5BF  
 023 - 028 - 036



M5B - M5BS - M5BF  
 045

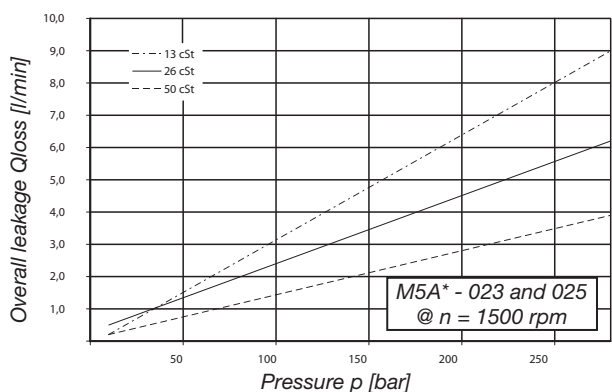
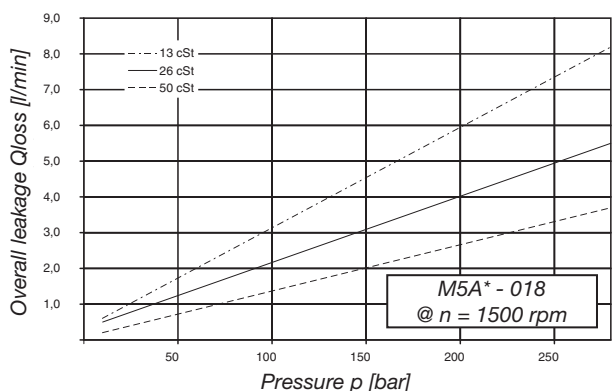
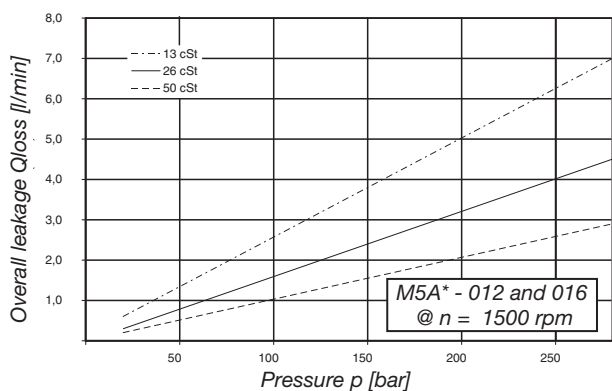
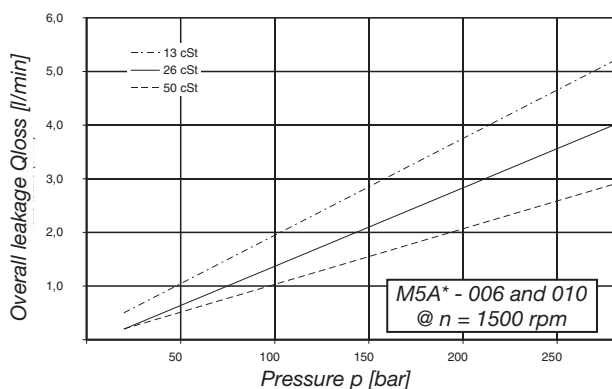


- Running condition limits - Typical curves at 26 cSt @ 45° - For starting performances see page 19.
- Intermittent conditions : do not exceed 6 seconds per minute of rotation.
- For higher specifications or for operating speed under < 100 rpm, please consult Parker.

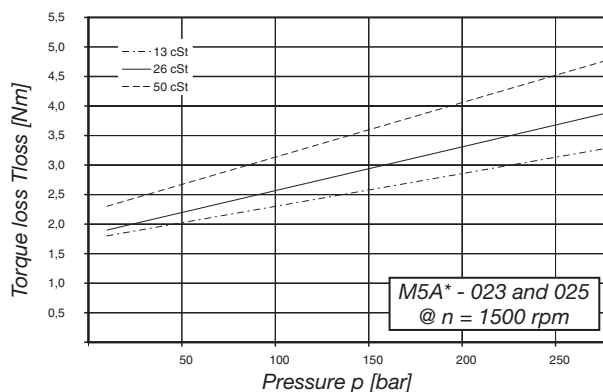
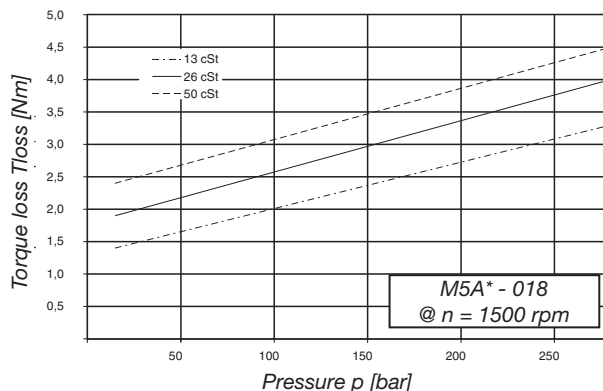
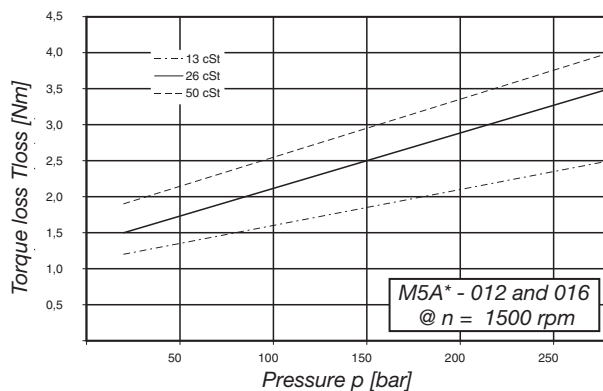
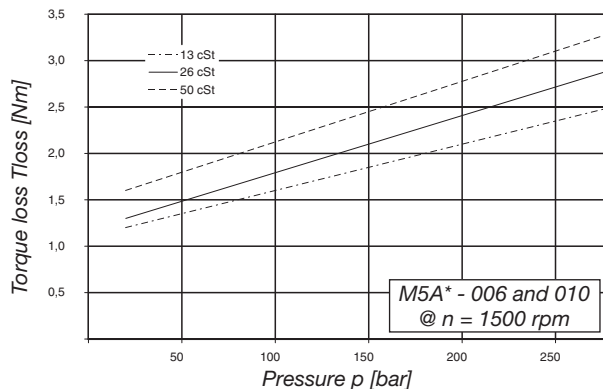


M5A - M5AS - M5ASF - M5AF motors without reverse valve option

Overall Leakage (internal + external)

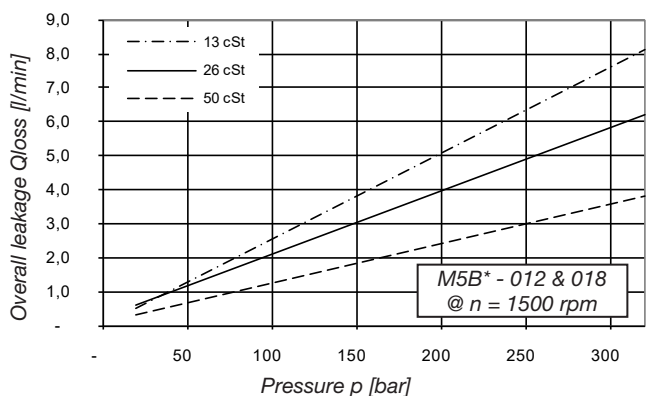


Torque Loss

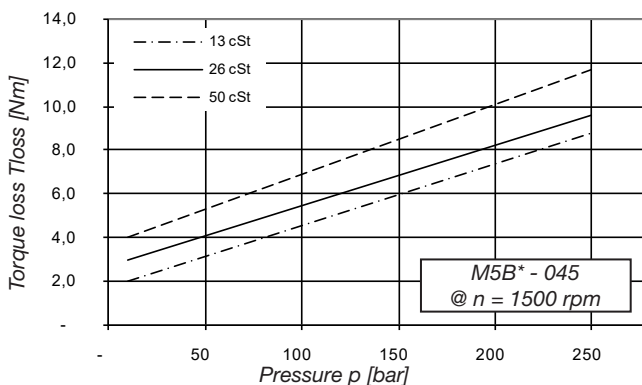
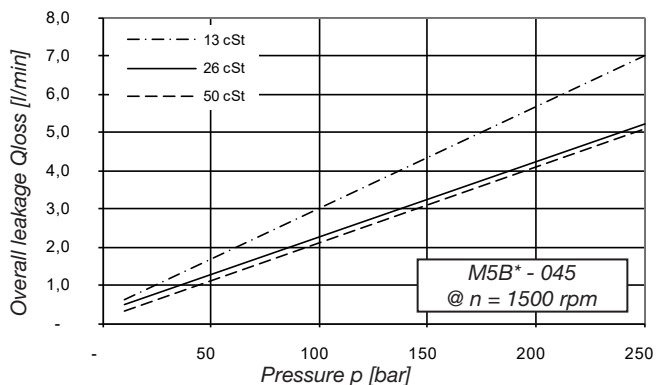
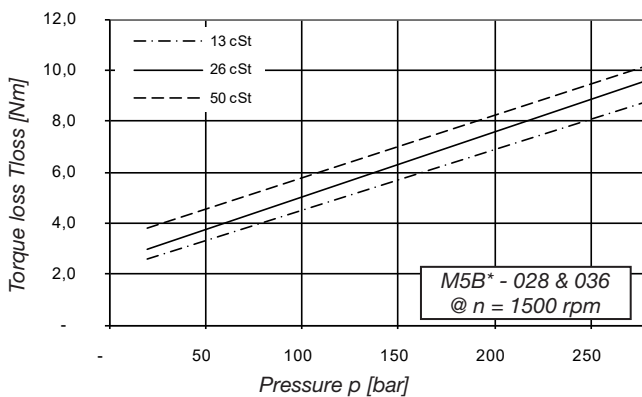
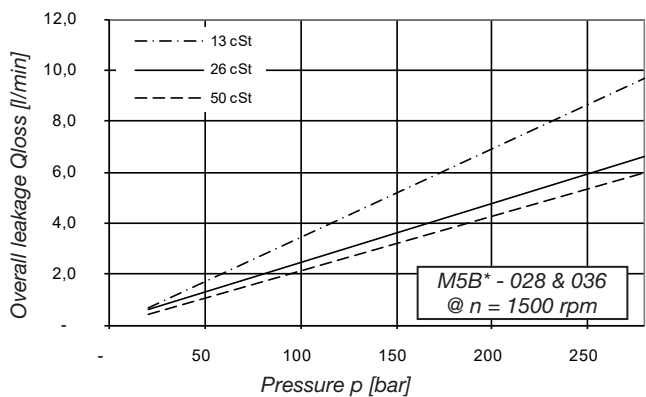
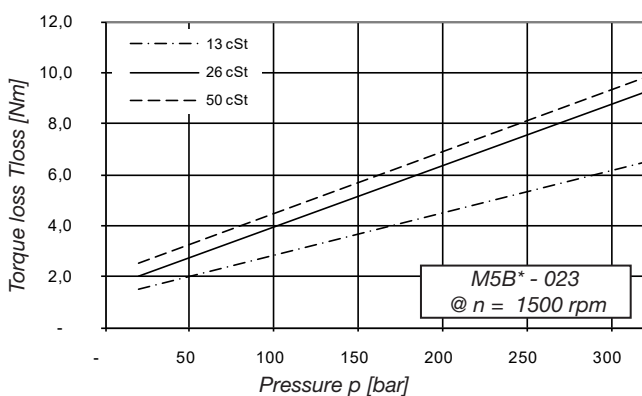
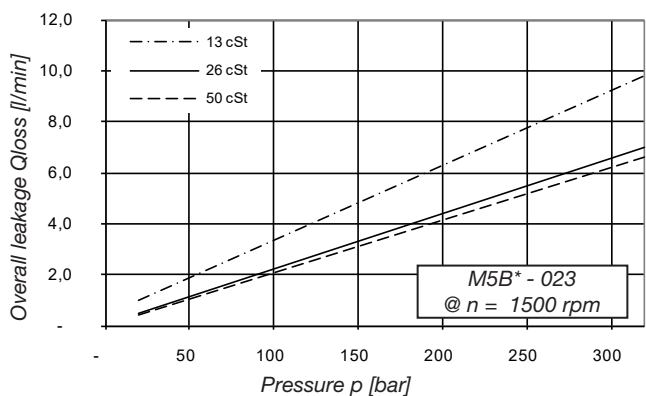
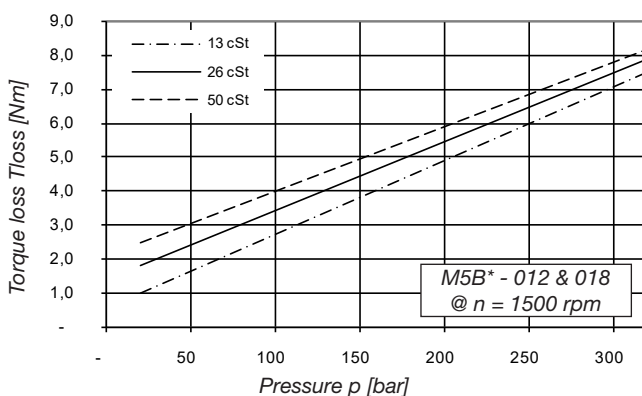


M5B - M5BS - M5BF motors without reverse valve option

Overall Leakage (internal + external)



Torque Loss



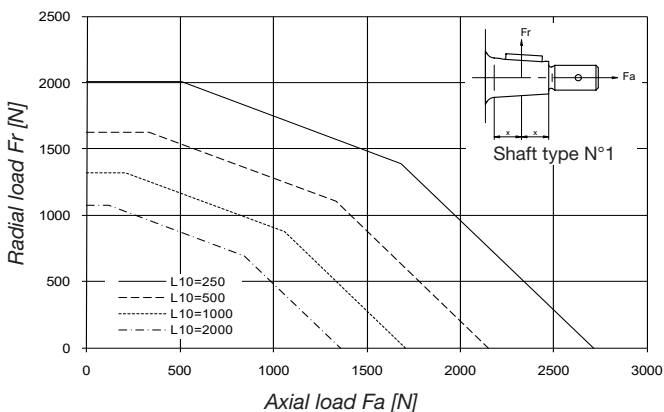
Starting performances

| Min starting torque efficiency | 100 bar | 200 bar | 280 bar | 300 bar | 320 bar |
|--------------------------------|---------|---------|---------|---------|---------|
| M5A - M5AS - M5ASF             | 83 %    | 88 %    | 90 %    | NA      | NA      |
| M5AF                           | 83 %    | 88 %    | 90 %    | 90 %    | NA      |
| M5B - M5BS - M5BF              | 79 %    | 81 %    | 81 %    | 81 %    | 81 %    |

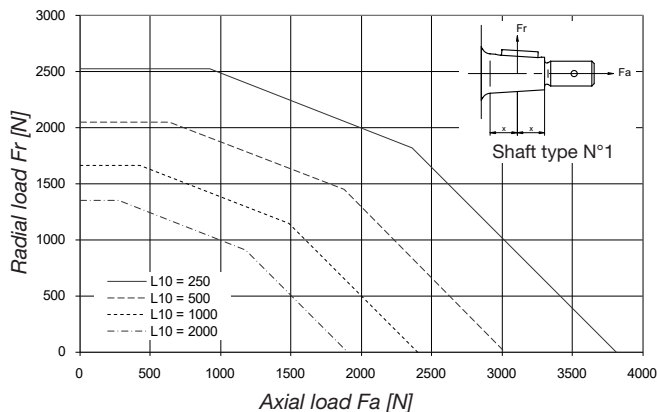
| Max. cross-flow at start | 100 bar | 200 bar | 280 bar  | 300 bar  | 320 bar  |
|--------------------------|---------|---------|----------|----------|----------|
| M5A - M5AS - M5ASF       | 0,6 lpm | 7,4 lpm | 8,9 lpm  | NA       | NA       |
| M5AF                     | 0,6 lpm | 7,4 lpm | 8,9 lpm  | 10,7 lpm | NA       |
| M5B - M5BS - M5BF        | 1,8 lpm | 7,8 lpm | 11,1 lpm | 11,9 lpm | 12,5 lpm |

Permissible shaft loads

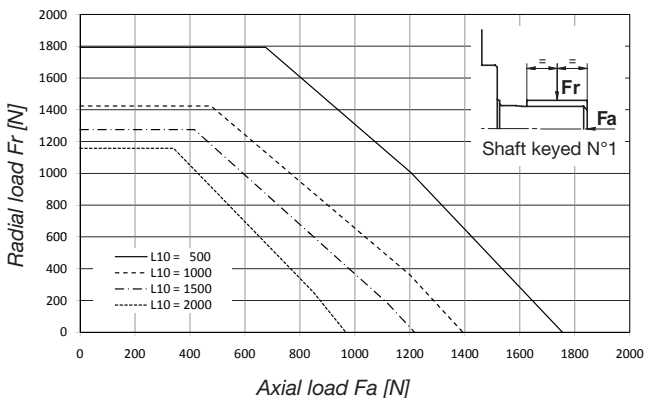
M5A - M5AS - M5ASF



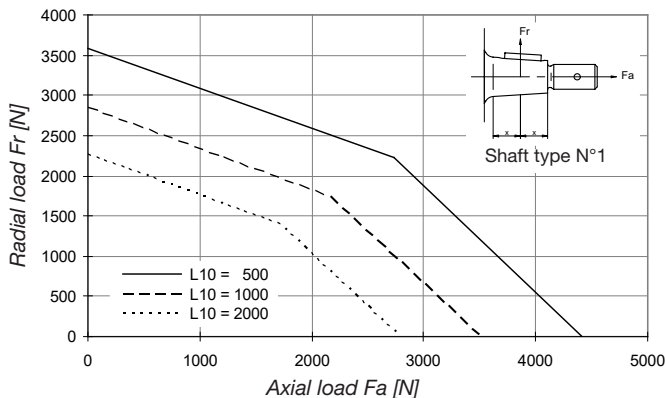
M5AF



M5BS



M5BF



| Torsional stiffness (Nm/rad) |      |      |      |      |      |      |      |
|------------------------------|------|------|------|------|------|------|------|
| Shaft type                   | 1    | 2    | 3    | 4    | 5    | 6    | W    |
| M5A - M5AS - M5ASF           | 3251 | 4191 | -    | -    | 3184 | 3995 | -    |
| M5AF                         | 3497 | 4530 | -    | -    | -    | -    | -    |
| M5B - M5BS                   | 6254 | 6822 | 6080 | 6708 | -    | -    | -    |
| M5BF                         | 4965 | 7489 | -    | -    | -    | -    | 7400 |



**Technical Data**

**Hydraulic Motors, Fixed  
M5, Denison Vane Motors**

**Lifetime**

Theoretical lifetime [ $10^6$  rev] :  $L_{10}$

$$\text{Theoretical lifetime [Hours]} : L_{10H} = \frac{16\ 666}{N [\text{min}^{-1}]} \times L_{10}$$

Example of theoretical lifetime calculation for M5ASF motor :

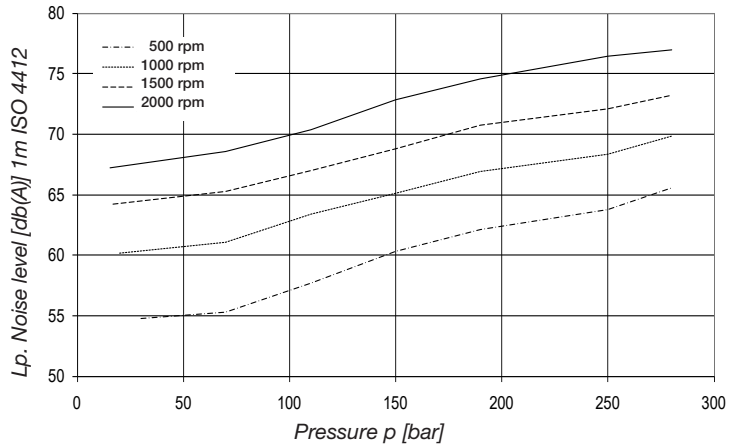
Axial load  $F_a = 1000$  N  
 Radial load  $F_r = 500$  N  
 Motor speed  $N = 1500$  rpm

$L_{10} = 2000$  [ $10^6$  rev] (See corresponding curve)

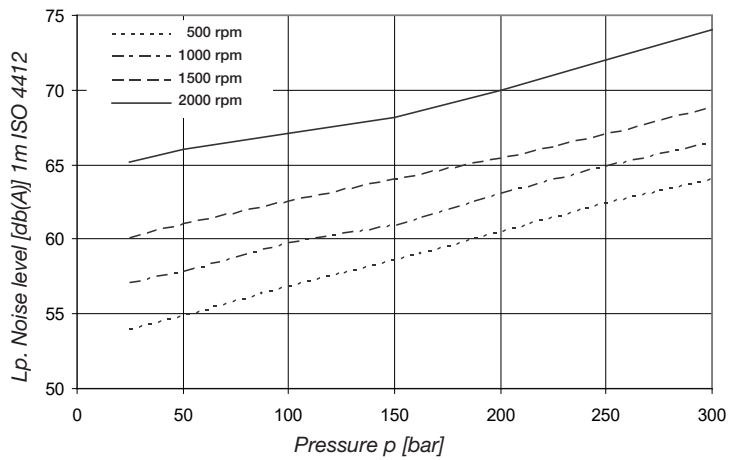
$$L_{10H} = \frac{16\ 666}{1500} \times 2000 \quad L_{10H} = 22\ 221 \text{ hours.}$$

**Noise levels**

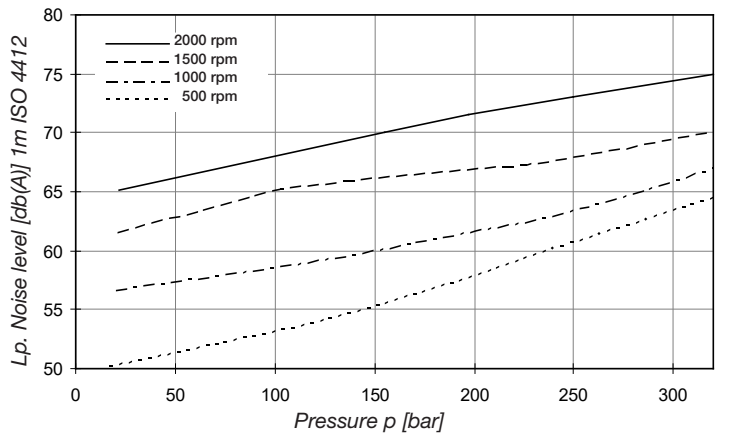
M5A - M5AS - M5ASF  
025



M5AF  
025



M5B - M5BS - M5BF  
036



Circuit Design

Graphical symbols

| Motor Type                                  | Symbol  | Rotation way            |                         |
|---|---|-------------------------|-------------------------|
|   |   | R                       | L                       |
| M5 all types                                | <p>Bi-rotational (N) motor</p>  | R                       | L                       |
|   |   | A = Inlet<br>B = Outlet | A = Outlet<br>B = Inlet |
| M5 all types                                | <p>Uni-rotational (R or L) motor without reverse valve option</p> <p>with pressure relief valve      with prop. pressure relief valve</p>                         | R                       | L                       |
|   |   | A = Inlet<br>B = Outlet | A = Inlet<br>B = Outlet |
| M5AF<br>M5B<br>M5BS<br>M5BF                 | <p>Uni-rotational (R or L) motor without reverse valve, with anti-starve valve option</p> <p>with pressure relief valve      with prop. pressure relief valve</p> | R                       | L                       |
|   |   | A = Inlet<br>B = Outlet | A = Inlet<br>B = Outlet |
| M5A<br>M5AS<br>M5ASF<br>M5B<br>M5BS<br>M5BF | <p>Motor with reverse valve option</p> <p>with mech. pressure relief valve      with prop. pressure relief valve</p>  | R                       | L                       |
|   |   | P = Inlet<br>T = Outlet | P = Inlet<br>T = Outlet |

**Circuit Design**

**Motor selection example**

Motor performances required

Torque \_\_\_\_\_ T [Nm.] 55  
Speed \_\_\_\_\_ n [rpm] 1500

Pump available data

Flow \_\_\_\_\_ Q [l/min] 30  
Δ Pressure \_\_\_\_\_ Δ p [bar] 250

1. Check if available power is greater than required power (0.85 estimated overall efficiency).

$$0,85 \times \frac{Q \times p}{600} \geq \frac{T \times \pi \times n}{30 \times 1000}$$

$$10,6 > 8,7 \text{ kW}$$

$$0,85 \times \frac{30 \times 250}{600} \geq \frac{55 \times \pi \times 1500}{30 \times 1000}$$

2. Two ways of calculation : Calculate  $V_i$  from T required torque, or from Q available flow.

2a.

$$V_i = \frac{20 \times \pi \times T}{p} = \frac{20 \times \pi \times 55}{250} = 13,8 \text{ cm}^3/\text{rev}$$

3a. Choose motor from  $V_i$  immediately greater  
M5AS\* 016 :  $V_i = 16,0 \text{ cm}^3/\text{rev}$

4a. Check theoretical motor pressure

$$\Delta p = \frac{20 \times \pi \times T}{V_i} = \frac{20 \times \pi \times 55}{16,0} = 216 \text{ bar}$$

Torque loss at this pressure = 3,0 Nm (See page 17)

Calculate real pressure

$$\Delta p_{\text{eff.}} = \frac{20 \times \pi \times (T + T_l)}{V_i} = \frac{20 \times \pi \times 58}{16,0} = 228 \text{ bar}$$

5a. Flow loss at this pressure : 3,5 l/min (See page 17)

Real flow used by the motor :

$$Q_{\text{eff.}} = 30 - 3,5 = 26,5 \text{ l/min}$$

6a. Real speed of the motor :

$$n_{\text{eff.}} = \frac{Q_{\text{eff.}} \times 1000}{V_i} = \frac{26,5 \times 1000}{16,0} = 1656 \text{ rpm}$$

Real performances

$$V_i = 16,0 \text{ cm}^3/\text{rev}$$

$$n_{\text{eff.}} = 1656 \text{ rpm}$$

$$T = 55 \text{ Nm.}$$

$$\Delta p_{\text{eff.}} = 228 \text{ bar}$$

2b.

$$V_i = \frac{1000 \times Q}{n} = \frac{1000 \times 30}{1500} = 20,0 \text{ cm}^3/\text{rev}$$

3b. Choose motor from  $V_i$  immediately smaller  
M5AS\* 018 :  $V_i = 18,0 \text{ cm}^3/\text{rev}$

4b. Check theoretical motor pressure with T = 55 Nm

$$\Delta p = \frac{20 \times \pi \times T}{V_i} = \frac{20 \times \pi \times 55}{18,0} = 192 \text{ bar}$$

Torque loss at this pressure = 3,3 Nm (See page 17)

Calculate real pressure

$$\Delta p_{\text{eff.}} = \frac{20 \times \pi \times (T + T_l)}{V_i} = \frac{20 \times \pi \times 58,3}{18,0} = 204 \text{ bar}$$

5b. Flow loss at this pressure : 4 l/min (See page 17)

Real flow used by the motor :

$$Q_{\text{eff.}} = 30 - 4 = 26,0 \text{ l/min}$$

6b. Real speed of the motor :

$$n_{\text{eff.}} = \frac{Q_{\text{eff.}} \times 1000}{V_i} = \frac{26,0 \times 1000}{18,0} = 1444 \text{ rpm}$$

Real performances

$$V_i = 18,0 \text{ cm}^3/\text{rev}$$

$$n_{\text{eff.}} = 1444 \text{ rpm}$$

$$T = 55 \text{ Nm.}$$

$$\Delta p_{\text{eff.}} = 204 \text{ bar}$$

**Fluid power formulas**

|                       |  |  |
|-----------------------|--|--|
| Volumetric efficiency | $1 - \frac{\text{total leakage} \times 1000}{\text{speed} \times \text{displacement}}$                               | Speed [rpm]  |
| Mechanical efficiency | $1 - \frac{\text{torque loss} \times 20 \times \pi}{\Delta \text{ pressure} \times \text{displacement}}$             | Displacement [cm <sup>3</sup> /rev]  |
| Fluid motor speed     | $\frac{1000 \times \text{flow rate} \times \text{volumetric eff.}}{\text{displacement}}$                             | Pressure [bar]   |
| Fluid motor torque    | $\frac{\Delta \text{ pressure} \times \text{displacement} \times \text{mech. eff.}}{20 \times \pi}$                  | Flow rate [l/min]  |
| Fluid motor power     | $\frac{\text{speed} \times \text{displacement} \times \Delta \text{ pressure} \times \text{overall eff.}}{600\,000}$ | Leakage [l/min]  |
|                       |  | Torque [Nm]  |
|                       |  | Torque loss [Nm]   |
|                       |  | Power [kW]   |
|                       |  | or $\frac{\text{torque} \times \text{speed} \times 20 \times \pi}{600\,000}$ |





**Hydraulic fluids**

**Recommended fluids**

Petroleum base anti-wear, anti-rust and anti-oxidation fluids (covered by Parker Denison HF-0 and HF-2 specifications). Maximum catalogue ratings and performance data are based on operation with these fluids.

**Acceptable alternate fluids**

The use of fluids other than petroleum base anti-wear R & O fluids requires that the maximum ratings of the motor will be reduced. In some cases, the minimum replenishment pressure must be increased.

HF-1 : non antiwear petroleum base      HF-4 : water glycols solutions      HF-5 : synthetic fluids  
 HF-1, HF-4, HF-5 : The max. continuous pressure is limited to 210 bar      HF-4, HF-5 : The max. speed is limited to 1800 RPM

**Fluids viscosity**

The minimum Viscosity Index is 90. The kinematic viscosity range is as below. Over or under these values, please contact Parker.

|   |   |
|---|---|
| Max. (cold start, low speed & pressure)    2000 cSt | Min. (full speed & pressure for HF-1, HF-4 & HF-5 fluids)    18 cSt |
| Max. (full speed & pressure)    108 cSt             | Min. (full speed & pressure for HF-0 & HF-2 fluids)    10 cSt       |
| Optimum (max. lifetime)    30 cSt                   |   |

**Fluids temperatures**

The usual limiting factor of temperature (low or high) comes from the obtained viscosity. The seals are sometimes the limit.

|   |   |
|---|---|
| Maximum fluid temperature (also depends on min. viscosity). | Minimum fluid temperature (also depends on max. viscosity). |
| ° C      ° F  | ° C      ° F  |
| HF-0, HF-1, HF-2    + 100    (+ 212)                        | HF-0, HF-1, HF-2, HF-5    - 18    (- 0.4)                   |
| HF-4    + 50    (+ 122)                                     | HF-4    + 10    (+ 50)                                      |
| HF-5    + 70    (+ 158)                                     |   |

**Filtration requirements**

The fluid must be cleaned before and during operation to maintain a contamination level of ISO 18/16/13 (NAS 1638 class 7) for motors with proportional pressure valve and ISO 19/17/14 (NAS 1638 class 8) or better for others. Filters must be installed accordingly.

**Water contamination in fluid**

The maximum acceptable content of water shall be limited to 0,10 % for mineral base fluids, and 0,05 % for synthetic fluids, crankcase oils, and biodegradable fluids. The eventual excess of water must be drained off the circuit.

**Types of seals**

Seals type 1 (S1) : Use this seal type for applications with mineral oil and fluid temperature less than + 90° C (+ 194° F).

S1 seals temperature range : - 40°C to + 107° C (- 40° F to + 225° F).

Seals type 5 (S5) : Use this seal type with some fire resistant fluids and/or fluid temperature higher than + 90° C (+194° F).

S5 seal temperature range : - 29° C to + 204°C (- 20° F to + 400°F).

**Motor installation**

The M5 Motor may be installed in any position providing that its drain line is correctly laid and that the loads on the shaft are clearly identified and acceptable. M5 Motors fitted with valves will require some light back pressure.

The M5A, M5AS, M5ASF, M5AF, M5BF motors are equipped with high load capacity double ball bearings, this allows a direct mounting on shaft (like a fan or a belt for example).

The M5B, M5BS motors are designed primarily for coaxial drives which do not impose axial or radial loads on the motor shaft.

The M5 externally drained motors must have a drain line connected to their housing drain port. It must be of a sufficient size to prevent back pressure in excess of 3,5 bar (50 PSI), and return directly to the reservoir below the minimum fluid level, as far away as possible from the suction pipe of the pump.

It is preferable to install the housing with its drain port upward to facilitate the purge of the motor. If the motor is mounted vertically with the shaft pointing up, then the drain line must have a bend above the motor to purge it fully and to be sure that the shaft seal is well lubricated.



**Circuit Design**

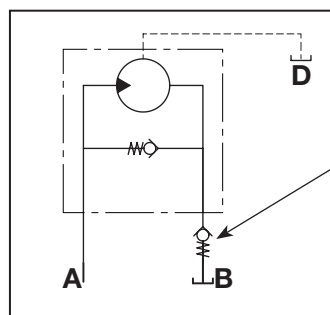
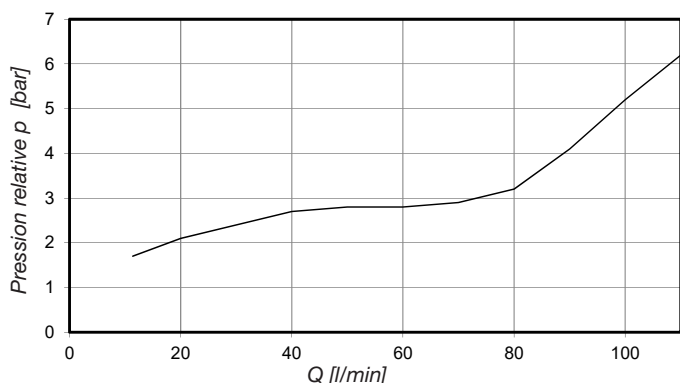
**Minimum replenishment pressure during deceleration**

The hydraulic circuit should be designed in a way that when switching off the hydraulic motor, it remains supplied with fluid, without risk of cavitation (anti-cavitation valve may be needed).

Uni-rotational M5 Motors are fitted with an internal anti-cavitation valve.

An anti-starve check (loading) valve can be screwed directly onto the B port of the uni-rotational motors, to ensure the minimum replenishment pressure during deceleration phases of high inertia systems (i.e. fan drive).

**Necessary pressure at B port of a M5 uni-rotational motor during deceleration**



External anti-starve (loading) valve to be installed directly at motor outlet port.

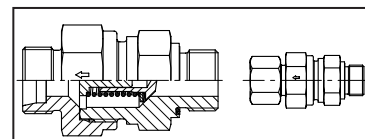
For an optimum flow recirculation, use loading valves that can be directly threaded in the return port of the motor. Parker can offer these check valves with various cracking pressures, threads, sealing and connection standards.

RHV-R-ED valves for BSPP threaded ports. See Parker Tube Fitting Catalogue 4100- UK

RHV-M-ED valves for Metric threaded ports. See Parker Tube Fitting Catalogue 4100- UK

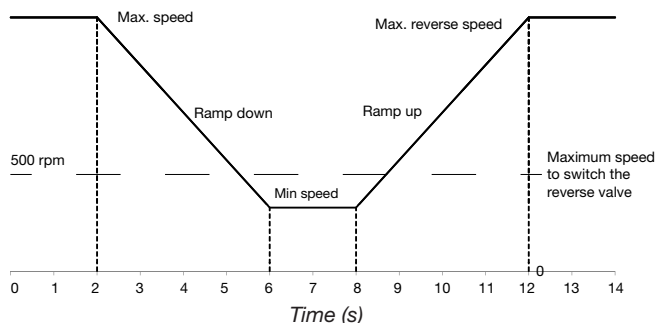
DT- MOMF valves for SAE threaded ports. See Parker Quick Coupling Catalog 3800

**RHV-R-ED**



**Reverse cycles for fan drives**

The rotation way R or L of motors with reverse option is denoting the normal cooling function for which the solenoid of the directional control valve is not energised. To reverse the rotation way from cooling to cleaning, the solenoid of the directional control valve has to be energised.



The motor must be decelerated from its (max.) rotation speed to less than 500 rpm in no less than 4 seconds time before energizing the solenoid of the reverse valve.

In the same way the motor must be ramped up to its (max.) reverse rotation speed in no less than 4 seconds time.

There should be no signs of cavitation during the reverse cycle (abnormal noise or lack of replenishment pressure).

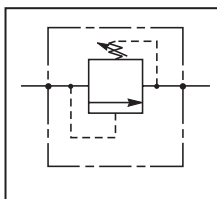
**Connection of several motors in the same circuit**

For application requiring several M5 motors to be driven simultaneously, we recommend to connect these in parallel circuits.

The use of several M5 motors connected in series is not recommended. Depending on the different inertia of the loads, the displacements and torque requirements, the motors may be subjected to pressure instability and noise. Also hydraulic pressure valves will not admit high levels of back pressure, restricting this use to motors without pressure valves. Please consult Parker.

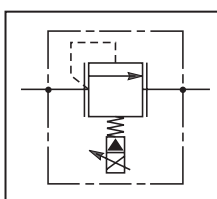
**Electrohydraulic valves**

**Mechanical pressure valve**

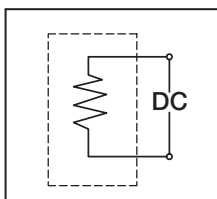


Parker RAH101S, pilot operated spool-type design with hexa screw adjustment.  
For pressure adjustment < 210 bar Parker RAH101S30  
For pressure adjustment > 210 bar Parker RAH101S50  
For more information see Parker Catalog HY 15-3502/US

**Proportional pressure valve**



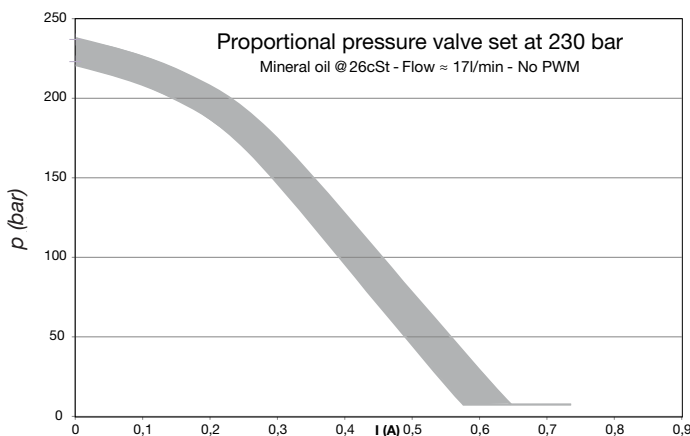
Parker AP04G2YR serie, pilot operated spool-type design. Decreasing pressure with increasing current, this normally closed pressure relief valve defaults to its mechanically adjusted pressure setting value when no current is applied to its coil.  
IP69K Integral TE Deutsch coil : 24VDC / 19W / 0,79 A / 30,3 Ohms.  
(IP67 AMPJr coil available as special feature, consult Parker).



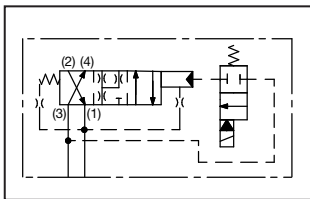
|   |                            |
|---|----------------------------|
| Coil type   | CCP024H                    |
| Nominal wattage   | 19 W                       |
| Duty cycle  | Continuous @ 100 % voltage |
| Magnetic wire insulation class                              | 'N' Rated at 200° C        |
| Temperature range   | - 40° C to + 200° C        |
| Temperature rise at nominal voltage and natural ventilation | P 95° C                    |

Recommended PWM  
Frequency : 250 Hz min.

Hysteresis @ 250 Hz PWM  
≤ 7% of max. pressure setting



**Reverse valve**



Parker 4 way, 2 position directional control valve. Pilot operated spool type valve.

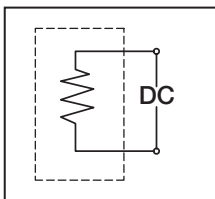
Additional flow data for motors with reverse valve option.

Motor in normal rotation way : Additional leakage = 0,5 lpm @ 210 bar with 26 cSt fluid.

Motor in reverse rotation way : Additional leakage = 3 lpm @ 210 bar with 26 cSt fluid.

IP69K Integral TE Deutsch coil : 24VDC / 14W / 0,58 A / 41,7 Ohms.

(IP67 AMPJr coil available as special feature, consult Parker).



|   |                            |
|---|----------------------------|
| Coil type   | CCS024HSZN                 |
| Nominal wattage   | 14 W                       |
| Duty cycle  | Continuous @ 100 % voltage |
| Magnetic wire insulation class                              | 'N' Rated at 200° C        |
| Temperature range   | - 40° C to + 200° C        |
| Temperature rise at nominal voltage and natural ventilation | S 75° C                    |

**Start-up instructions**

All Parker hydraulic vane motors are individually factory tested to provide the best quality & reliability. They are to be used within the operation limits indicated in our documentation. Only qualified personnel who is competent and familiar with the installation and operation of hydraulic drives and has hydraulic circuits and hydraulic equipment knowledge is allowed to put the equipment into operation. Make sure to have all necessary documentation available and always conform yourself to the valid regulations (safety, electrical, environment...).

**Pre-start checks**

- Before the initial installation of the motor, please remove the protective covers or plugs from the connection ports and pour some clean and suitable hydraulic fluid in all ports.
- Before the initial starting of the motor, the following checks should be made :
  - a. Check the requested rotation way of the driven device and make sure that the hydraulic motor shaft will rotate accordingly.
  - b. Check entry, outlet and drain lines to be sure all connections are tight and properly connected.
  - c. Check the cleanliness of the piping, the hydraulic fluid type, its cleanliness and level. Make sure it can reach the motor entry port.
  - d. Check the correct fixture of the hydraulic motor mounting flange and of its driven device. Check their correct coupling.
  - e. For hydraulic motors with built-in solenoid valves, check the electrical wiring and the connections.

**First start and air removing**

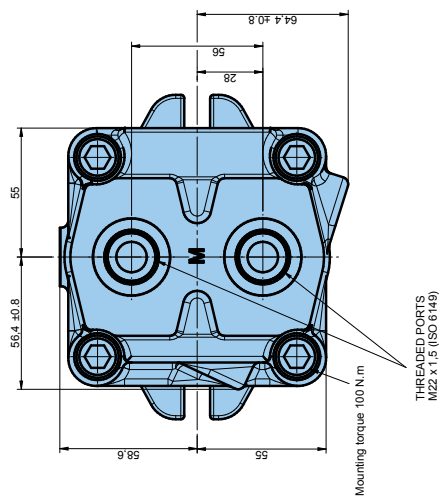
- The pressure relief valve of the circuit should be backed off to its minimum setting value to keep the hydraulic motor unloaded when first started. Circuit priming and air bleed off have to be performed before resetting the pressure relief valve.
- Start the hydraulic motor rotation in a jogging manner until a prime is picked up, and increase its speed from 500 to 1000 rpm. Check that there is no leakage or air suction neither at the ports (inlet, outlet, drain), nor at the shaft end.
- It is important to bleed the air off the circuit, and off the hydraulic motor itself. Purge the air off, preferably using air bleed off valves or pressure test points. Let the hydraulic motor rotate several minutes unloaded.
- Hydraulic motors equipped with a built-in proportional pressure relief valve have to purge the air off the pressure valve in the following way: energize and de-energize the coil 5 times from 0 Amp to max current. Check that the proportional pressure relief valve is properly air bled off by running the hydraulic motor at full speed. It should rotate without vibrations or pulses.

**Notes**

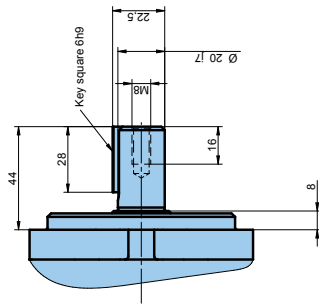
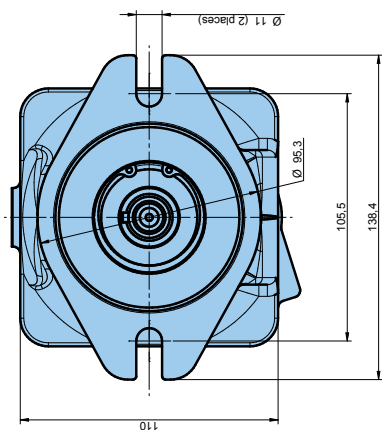
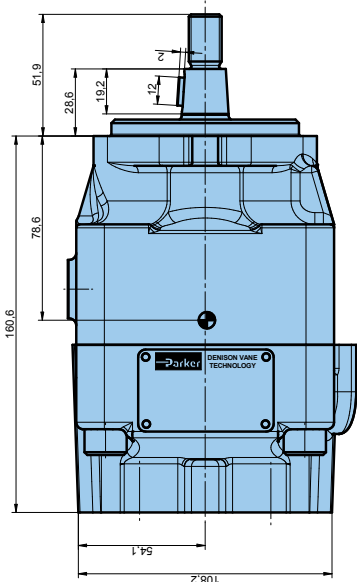
- In case of very cold temperature, the hydraulic motor should be kept at low pressure and low speed until the fluid warms up, before running it at high pressure or speed.
- If the motor does not work properly or pressure cannot be obtained within seconds, it should be shut down and conditions corrected. Refer to the machine/vehicle manufacturer instructions and motor catalogue.

M5A - M5AS motor with rear ports

Weight : 11,0 kg

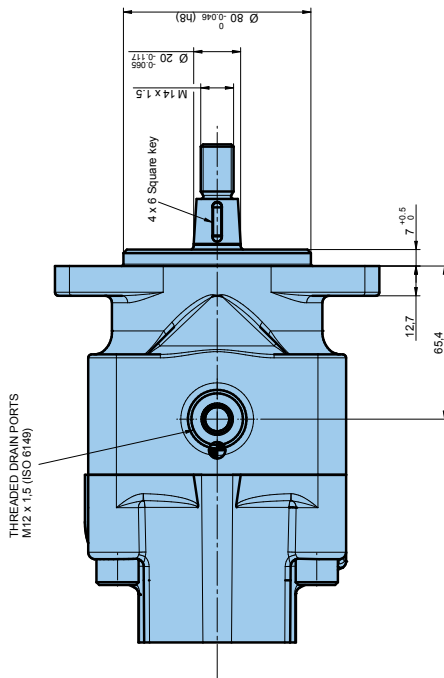


**SHAFT code 5**  
KEYED TAPER 1:5

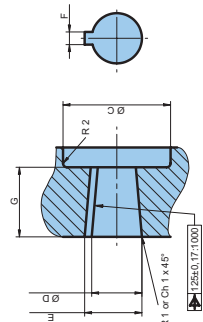


**SHAFT code 6**  
ISO G20N KEYED

● Centre of gravity (bi-rotational version)



| Shaft | Code 5     |
|-------|------------|
| Ø C   | 35,8/36,2  |
| Ø D   | 19,8/20,0  |
| E     | 22,3/22,43 |
| F     | 4,03/4,08  |
| G     | 21,9/22,1  |



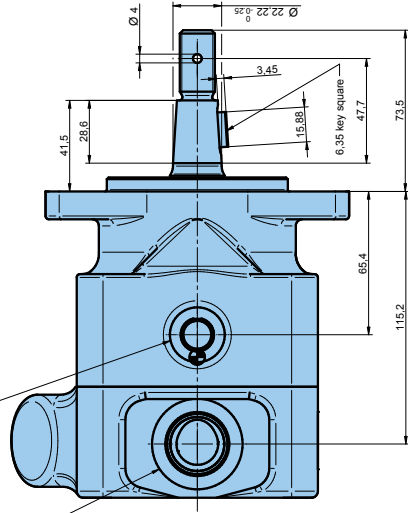
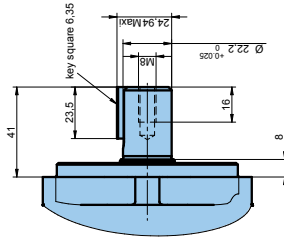
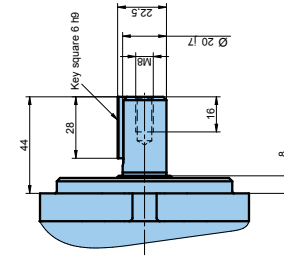
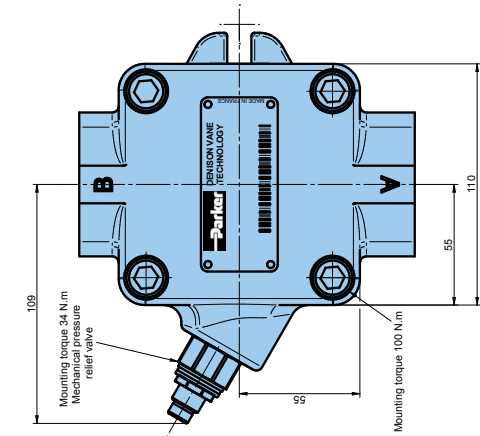
Torque of the steel nut : 80 Nm<sup>1)</sup>

<sup>1)</sup> This torque is for a steel coupling and a nut of at least grade 8.8 quality. It is compulsory to install a castle nut and cotter pin for right-hand rotation and bi-rotational use.



M5A - M5AS motor with opposite ports

Weight : 11,2 kg



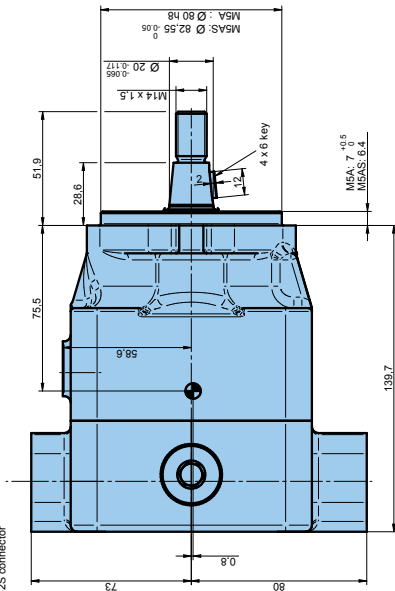
**Shaft code 6**  
ISO G20N keyed

**Shaft code 2**  
SAE B keyed

☉ Centre of gravity (bi-rotational version)

**Shaft code 1**  
SAE B - J744  
(Modified)  
Taper 125 : 1000

**Shaft code 5**  
Keyed taper 1:5



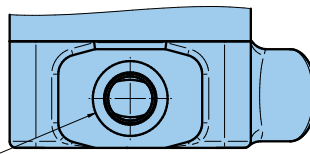
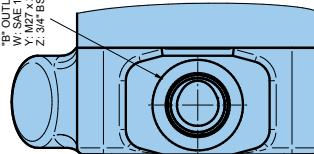
THREADED PORT  
W: SAE 12 (SAE J1926/1)  
Y: M22 x 1.5 (ISO 6149)  
Z: 3/4" BSPP

THREADED DRAIN PORT  
W: SAE 6 (SAE J1926/1)  
Y: M12 x 1.5 (ISO 6149)  
Z: 1/4" BSPP

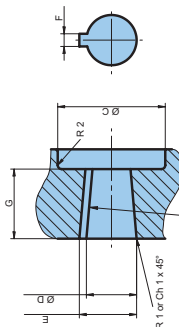
"A" INLET THREADED PORT  
W: SAE 10 (SAE J1926/1)  
Y: M22 x 1.5 (ISO 6149)  
Z: 1/2" BSPP

"B" OUTLET THREADED PORT  
W: SAE 12 (SAE J1926/1)  
Y: M22 x 1.5 (ISO 6149)  
Z: 3/4" BSPP

UNI-ROTATIONAL VERSION



| Shaft | Code 1      | Code 5     |
|-------|-------------|------------|
| Ø C   | 54.0        | 35.8/36.2  |
| Ø D   | 22.09/22.22 | 19.8/20.0  |
| E     | 25.64/25.77 | 22.3/22.43 |
| F     | 6.31/6.36   | 4.03/4.08  |
| G     | 31.6/32.0   | 21.9/22.1  |

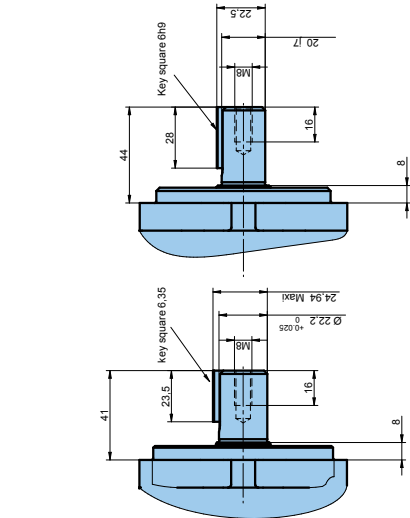
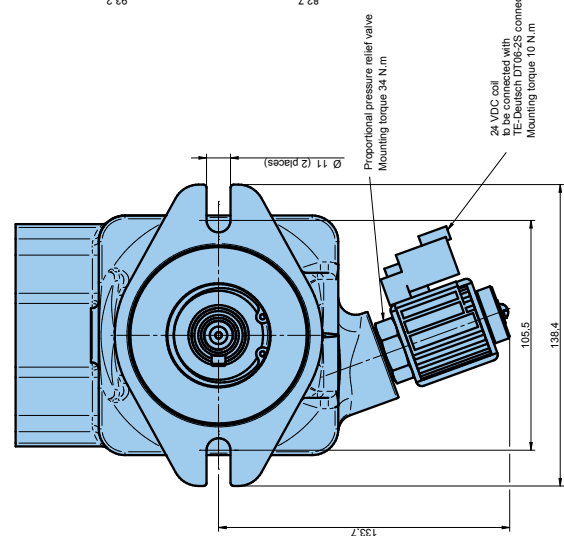
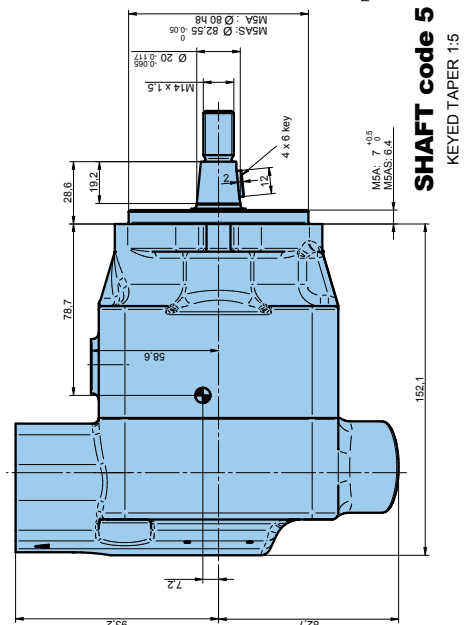
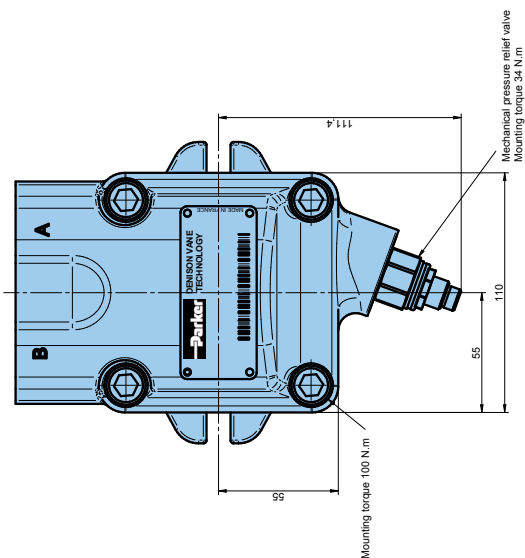


Torque of the nut : 80 Nm <sup>1)</sup>

<sup>1)</sup> This torque is for a steel coupling and a nut of at least grade 8.8 quality. It is compulsory to install a castle nut and cotter pin for right-hand rotation and bi-rotational use.

**M5A - M5AS motor with side ports**

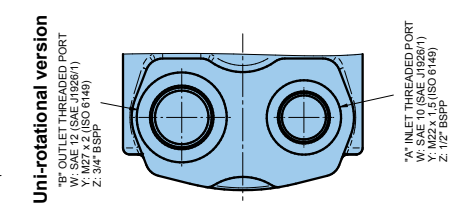
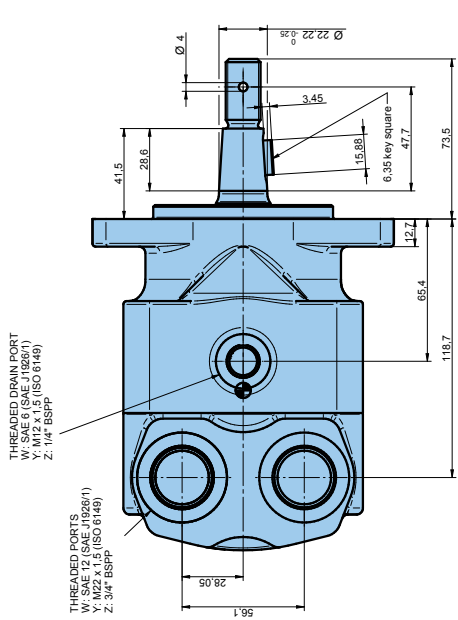
**Weight : 12,2 kg**



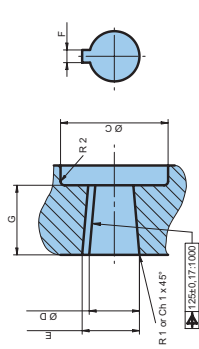
**SHAFT code 2**  
 SAE B KEYED

**SHAFT code 6**  
 ISO G20N KEYED

Centre of gravity (bi-rotational version)



| Shaft | Code 1      | Code 5     |
|-------|-------------|------------|
| Ø C   | 54,0        | 35,8/36,2  |
| Ø D   | 22,09/22,22 | 19,8/20,0  |
| E     | 25,64/25,77 | 22,3/22,43 |
| F     | 6,31/6,36   | 4,03/4,08  |
| G     | 31,6/32,0   | 21,9/22,1  |



Torque of the steel nut : 80 Nm <sup>1)</sup>

<sup>1)</sup> This torque is for a steel coupling and a nut of at least grade 8.8 quality. It is compulsory to install a castle nut and cotter pin for right-hand rotation and bi-rotational use.



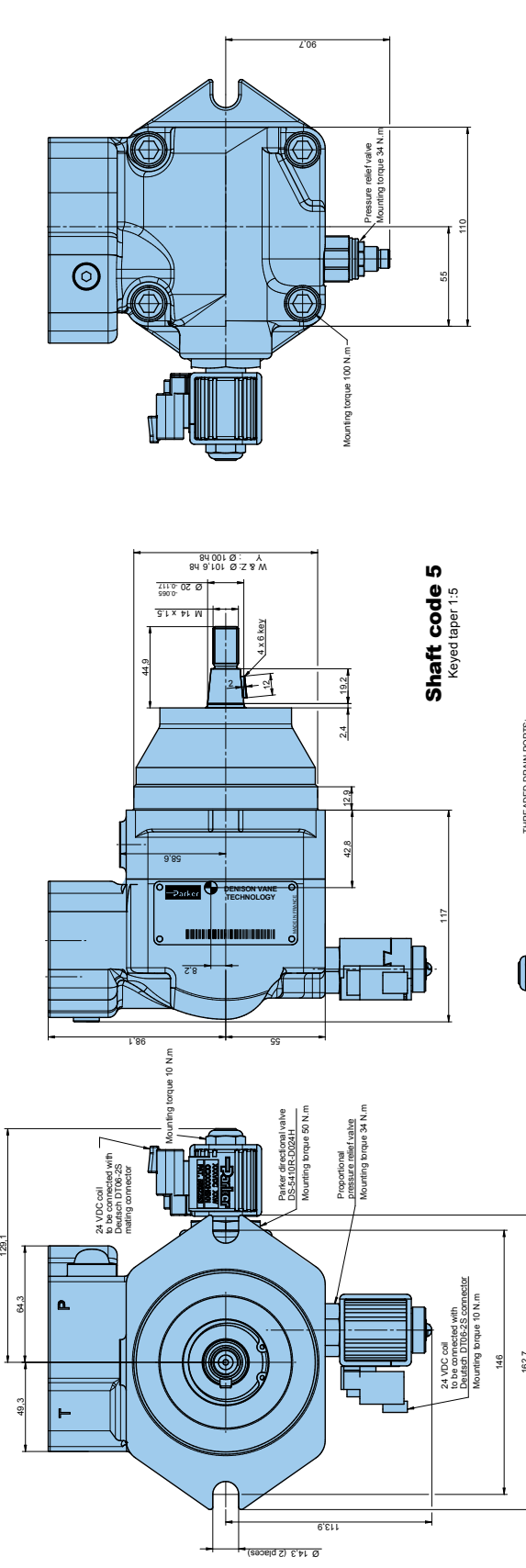




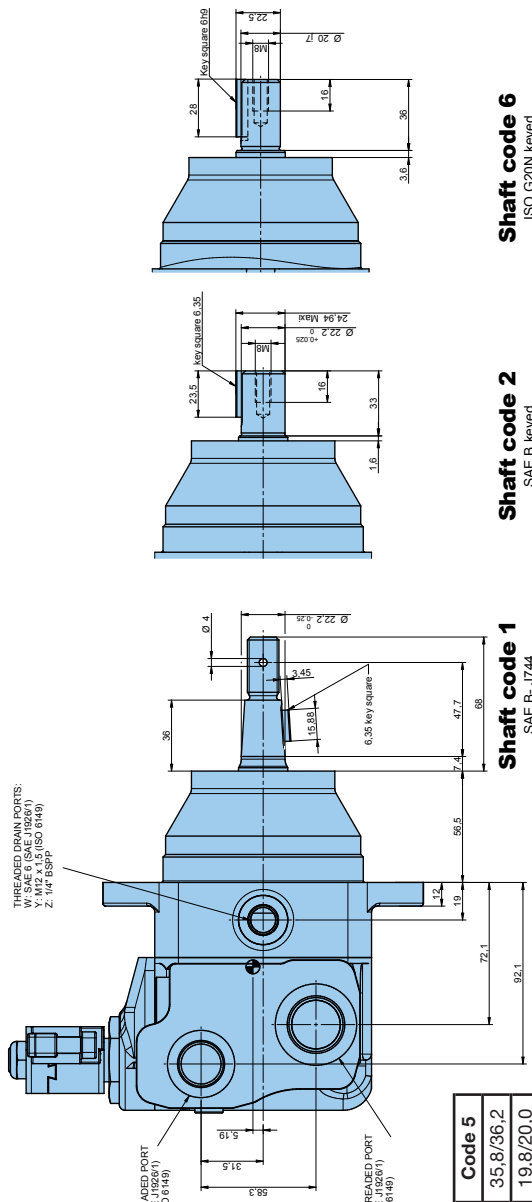
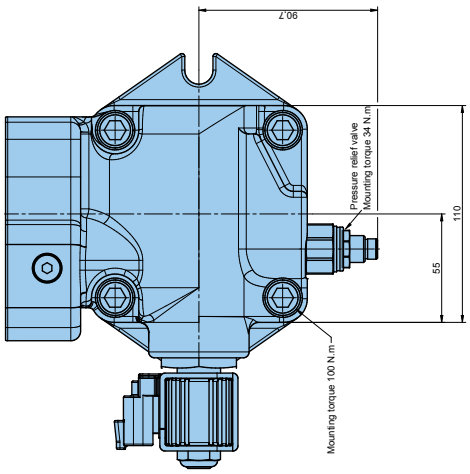


M5ASF motor with reverse valve option

Weight : 13,2 kg



**Shaft code 5**  
Keyed taper 1:5



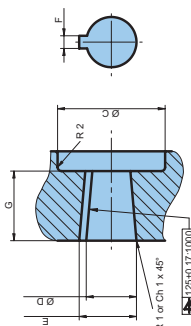
**Shaft code 6**  
ISO G20N keyed

**Shaft code 2**  
SAE B keyed

**Shaft code 1**  
SAE B-1744 (Modified)  
Taper 125 : 1000

Centre of gravity (bi-rotational version)

| Shaft | Code 1      | Code 5     |
|-------|-------------|------------|
| Ø C   | 54,0        | 35,8/36,2  |
| Ø D   | 22,09/22,22 | 19,8/20,0  |
| E     | 25,64/25,77 | 22,3/22,43 |
| F     | 6,31/6,36   | 4,03/4,08  |
| G     | 31,6/32,0   | 21,9/22,1  |



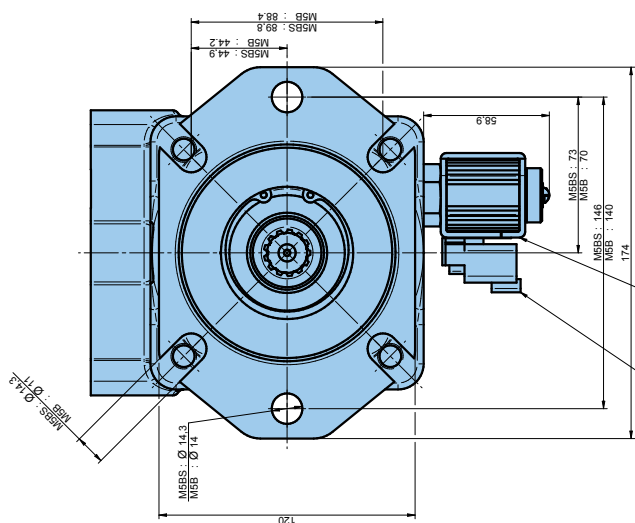
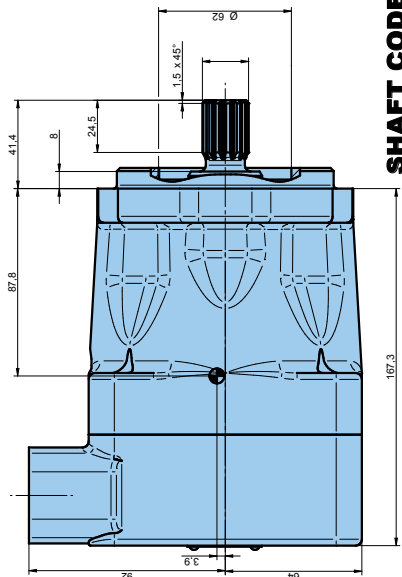
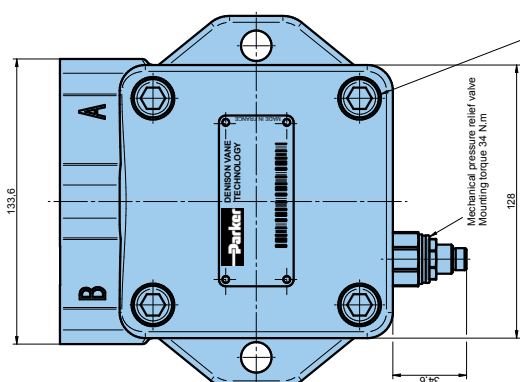
Torque of the nut : 80 Nm <sup>1)</sup>

<sup>1)</sup> This torque is for a steel coupling and a nut of at least grade 8.8 quality. It is compulsory to install a castle nut and cotter pin for right-hand rotation and bi-rotational use.



M5B - M5BS motor

Weight : 18,5 kg



SHAFT CODE 3

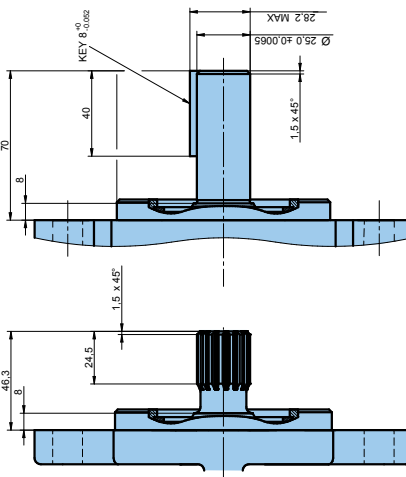
SAE INVOLUTE SPLINE DATA  
CLASS H-FILAT ROOT SIDE FIT  
J4899 - PITCH 16/32  
13 TEETH - 30° PRESSURE ANGLE

THREADED DRAIN PORT  
MBS: Y & M: M18 x 1.5 (ISO 6149)  
MBS: X & M: SAE 10 (SAE 6149)  
MBS: Y & M: M16 x 1.0 (ISO 6149)

0.38" 16 UNC 2B 19 DEEP 8 HOLES  
M: M10 x 19 DEEP METRIC VERSION  
Anti-strike valve option  
(only for unidirectional version)

MBS: W: SAE 12 (SAE J19287)  
MBS: Y: M27 x 2 (ISO 6149)

24 VDC coil  
MBS: W: SAE 12 (SAE J19287)  
MBS: Y: M27 x 2 (ISO 6149)

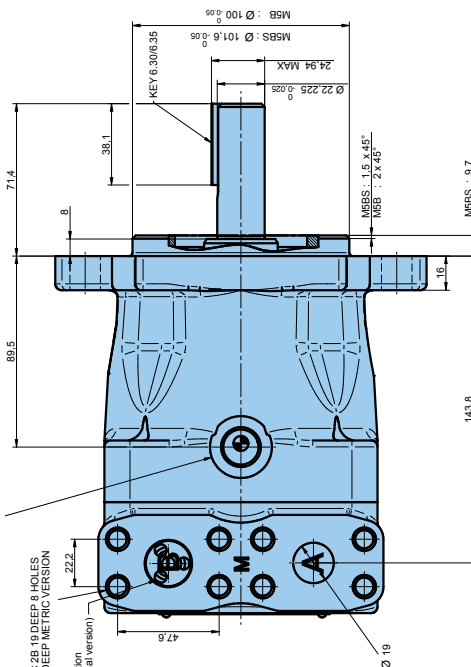


SHAFT CODE 2

KEYED ISO 3019/2 E2M

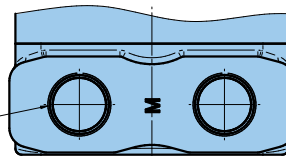
SHAFT CODE 4

SAE INVOLUTE SPLINE DATA  
CLASS H-FILAT ROOT SIDE FIT  
J4899 - PITCH 16/32  
15 TEETH - 30° PRESSURE ANGLE



SHAFT CODE 1

KEYED SAE-B

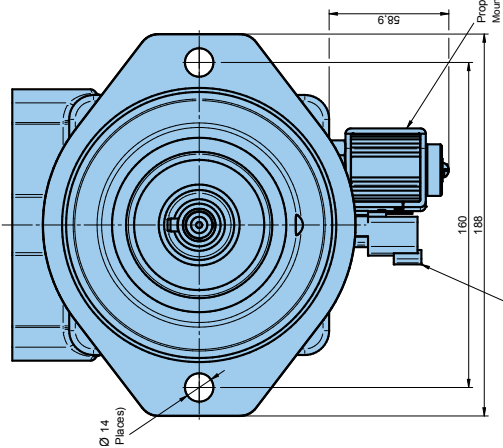
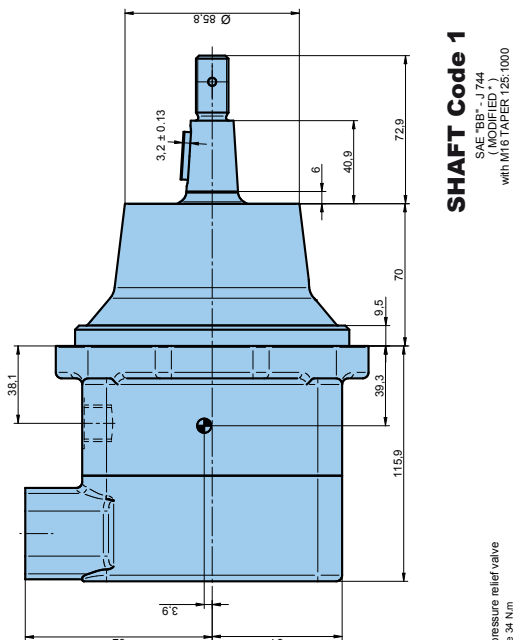
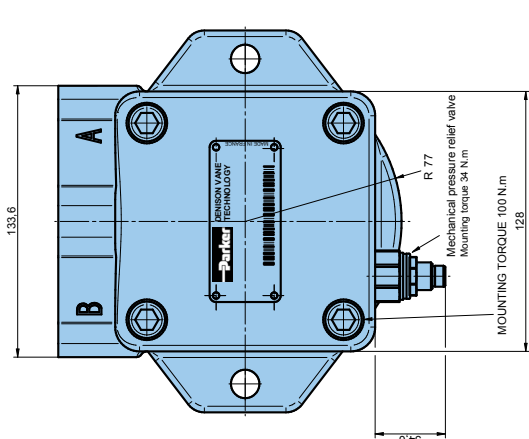


Centre of gravity (bi-rotational version)



M5BF motor

Weight : 18,5 kg



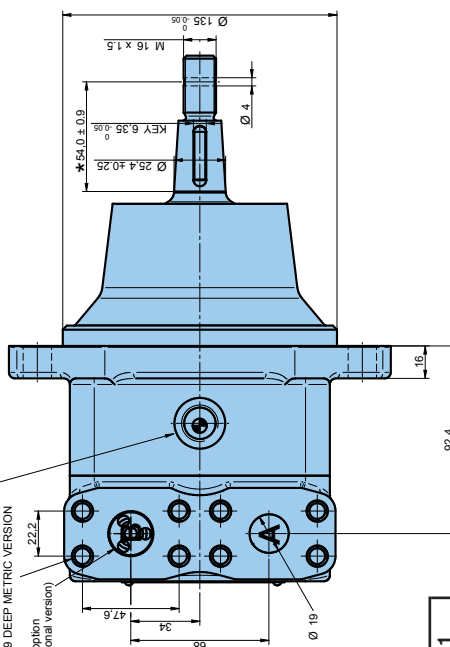
DRAIN PORT: 13.5 DEEP MAX  
SPOT FACE Ø28 DEEP 2 MAX  
Y & M: M18 x 1.5 (ISO 6149)  
W & O: SAE 6 (SAE J1926/1)

Ø : 3/8 16 UNC 28 19 DEEP 8 HOLES  
M : M10 x 19 DEEP METRIC VERSION  
Anti-stroke valve option  
(Only for uni-rotational version)

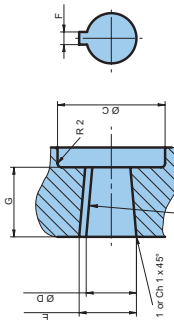
Y : M27 x 2 (ISO 6149)  
W : SAE 12 (SAE J1926/1)

24 VDC coil  
to be connected with  
Deutsch DT06-2S connector  
Mounting torque 10 N.m

Proportional pressure relief valve  
Mounting torque 34 N.m



| Shaft | Code 1      |
|-------|-------------|
| Ø C   | 52.5/53.5   |
| Ø D   | 28,70/28,95 |
| E     | 25,02/25,15 |
| F     | 6,36/6,31   |
| G     | 35,2/35,45  |



Centre of gravity (bi-rotational version)

SHAFT Code 2

SHAFT Code W

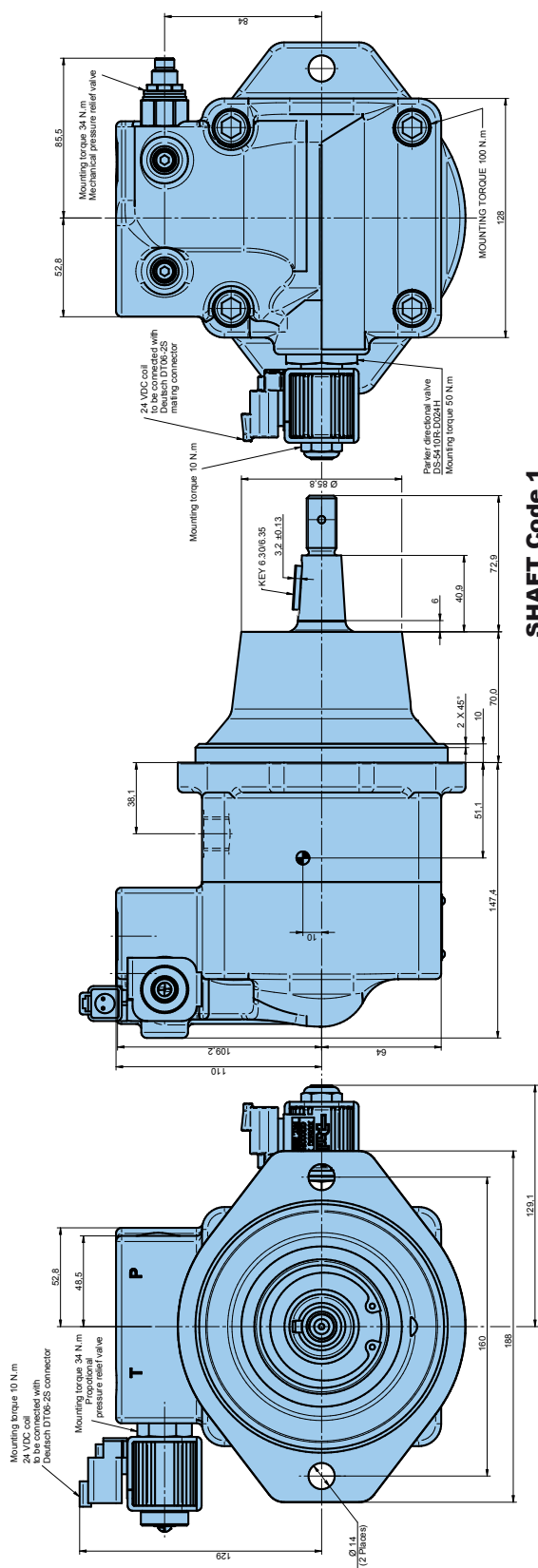
Torque of the steel nut : 80 Nm 1)

1) This torque is for a steel coupling and a nut of at least grade 8.8 quality. It is compulsory to install a castle nut and cotter pin for right-hand rotation and bi-rotational use.



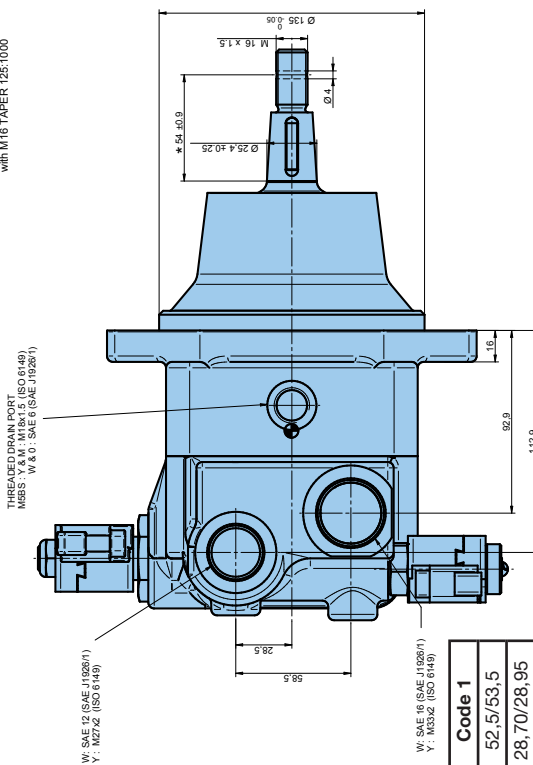
M5BF motor with reverse valve option

Weight : 21,6 kg



SHAFT Code 1

SAE "B8" - J744  
(MODIFIED)  
with M16 TAPER 125:1000



SHAFT Code W

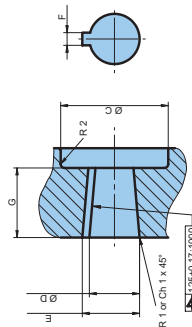
ISO 3019/2 - G32N  
WITH M10 - 20 DEEP

SHAFT Code 2

SAE "C" - J744  
WITH M10 - 20 DEEP

Centre of gravity (bi-rotational version)

| Shaft | Code 1      |
|-------|-------------|
| Ø C   | 52,5/53,5   |
| Ø D   | 28,70/28,95 |
| E     | 25,02/25,15 |
| F     | 6,36/6,31   |
| G     | 35,2/35,45  |



Torque of the steel nut : 80 Nm <sup>1)</sup>

<sup>1)</sup> This torque is for a steel coupling and a nut of at least grade 8.8 quality. It is compulsory to install a castle nut and cotter pin for right-hand rotation and bi-rotational use.

**WARNING – USER RESPONSIBILITY**

**FAILURE OR IMPROPER SELECTION OR IMPROPER USE OF THE PRODUCTS DESCRIBED HEREIN OR RELATED ITEMS CAN CAUSE DEATH, PERSONAL INJURY AND PROPERTY DAMAGE.**

This document and other information from Parker-Hannifin Corporation, its subsidiaries and authorized distributors provide product or system options for further investigation by users having technical expertise.

The user, through its own analysis and testing, is solely responsible for making the final selection of the system and components and assuring that all performance, endurance, maintenance, safety and warning requirements of the application are met. The user must analyze all aspects of the application, follow applicable industry standards, and follow the information concerning the product in the current product catalog and in any other materials provided from Parker or its subsidiaries or authorized distributors.

To the extent that Parker or its subsidiaries or authorized distributors provide component or system options based upon data or specifications provided by the user, the user is responsible for determining that such data and specifications are suitable and sufficient for all applications and reasonably foreseeable uses of the components or systems.

**Offer of Sale**

Please contact your Parker representation for a detailed "Offer of Sale".



For a more complete overview of Parker product offerings,  
please see our interactive online marketing materials or  
contact one of our distributor partners.

[www.parker.com](http://www.parker.com)









# Parker Worldwide

## Europe, Middle East, Africa

**AE – United Arab Emirates,**  
Dubai

Tel: +971 4 8127100  
parker.me@parker.com

**AT – Austria,** Wiener Neustadt  
Tel: +43 (0)2622 23501-0  
parker.austria@parker.com

**AT – Eastern Europe,** Wiener  
Neustadt  
Tel: +43 (0)2622 23501 900  
parker.easteurope@parker.com

**AZ – Azerbaijan,** Baku  
Tel: +994 50 22 33 458  
parker.azerbaijan@parker.com

**BE/LU – Belgium,** Nivelles  
Tel: +32 (0)67 280 900  
parker.belgium@parker.com

**BG – Bulgaria,** Sofia  
Tel: +359 2 980 1344  
parker.bulgaria@parker.com

**BY – Belarus,** Minsk  
Tel: +48 (0)22 573 24 00  
parker.poland@parker.com

**CH – Switzerland,** Etoy  
Tel: +41 (0)21 821 87 00  
parker.switzerland@parker.com

**CZ – Czech Republic,** Klecany  
Tel: +420 284 083 111  
parker.czechrepublic@parker.com

**DE – Germany,** Kaarst  
Tel: +49 (0)2131 4016 0  
parker.germany@parker.com

**DK – Denmark,** Ballerup  
Tel: +45 43 56 04 00  
parker.denmark@parker.com

**ES – Spain,** Madrid  
Tel: +34 902 330 001  
parker.spain@parker.com

**FI – Finland,** Vantaa  
Tel: +358 (0)20 753 2500  
parker.finland@parker.com

**FR – France,** Contamine s/Arve  
Tel: +33 (0)4 50 25 80 25  
parker.france@parker.com

**GR – Greece,** Athens  
Tel: +30 210 933 6450  
parker.greece@parker.com

**HU – Hungary,** Budaörs  
Tel: +36 23 885 470  
parker.hungary@parker.com

**IE – Ireland,** Dublin  
Tel: +353 (0)1 466 6370  
parker.ireland@parker.com

**IT – Italy,** Corsico (MI)  
Tel: +39 02 45 19 21  
parker.italy@parker.com

**KZ – Kazakhstan,** Almaty  
Tel: +7 7273 561 000  
parker.easteurope@parker.com

**NL – The Netherlands,** Oldenzaal  
Tel: +31 (0)541 585 000  
parker.nl@parker.com

**NO – Norway,** Asker  
Tel: +47 66 75 34 00  
parker.norway@parker.com

**PL – Poland,** Warsaw  
Tel: +48 (0)22 573 24 00  
parker.poland@parker.com

**PT – Portugal**  
Tel: +351 22 999 7360  
parker.portugal@parker.com

**RO – Romania,** Bucharest  
Tel: +40 21 252 1382  
parker.romania@parker.com

**RU – Russia,** Moscow  
Tel: +7 495 645-2156  
parker.russia@parker.com

**SE – Sweden,** Spånga  
Tel: +46 (0)8 59 79 50 00  
parker.sweden@parker.com

**SK – Slovakia,** Banská Bystrica  
Tel: +421 484 162 252  
parker.slovakia@parker.com

**SL – Slovenia,** Novo Mesto  
Tel: +386 7 337 6650  
parker.slovenia@parker.com

**TR – Turkey,** Istanbul  
Tel: +90 216 4997081  
parker.turkey@parker.com

**UA – Ukraine,** Kiev  
Tel: +48 (0)22 573 24 00  
parker.poland@parker.com

**UK – United Kingdom,** Warwick  
Tel: +44 (0)1926 317 878  
parker.uk@parker.com

**ZA – South Africa,** Kempton Park  
Tel: +27 (0)11 961 0700  
parker.southafrica@parker.com

## North America

**CA – Canada,** Milton, Ontario  
Tel: +1 905 693 3000

**US – USA,** Cleveland  
(industrial)  
Tel: +1 216 896 3000

**US – USA,** Elk Grove Village  
(mobile)  
Tel: +1 847 258 6200

## Asia Pacific

**AU – Australia,** Castle Hill  
Tel: +61 (0)2-9634 7777

**CN – China,** Shanghai  
Tel: +86 21 2899 5000

**HK – Hong Kong**  
Tel: +852 2428 8008

**ID – Indonesia,** Tangerang  
Tel: +62 21 7588 1906

**IN – India,** Mumbai  
Tel: +91 22 6513 7081-85

**JP – Japan,** Fujisawa  
Tel: +81 (0)4 6635 3050

**KR – South Korea,** Seoul  
Tel: +82 2 559 0400

**MY – Malaysia,** Shah Alam  
Tel: +60 3 7849 0800

**NZ – New Zealand,** Mt Wellington  
Tel: +64 9 574 1744

**SG – Singapore**  
Tel: +65 6887 6300

**TH – Thailand,** Bangkok  
Tel: +662 186 7000

**TW – Taiwan,** New Taipei City  
Tel: +886 2 2298 8987

**VN – Vietnam,** Ho Chi Minh City  
Tel: +84 8 3999 1600

## South America

**AR – Argentina,** Buenos Aires  
Tel: +54 3327 44 4129

**BR – Brazil,** Cachoeirinha RS  
Tel: +55 51 3470 9144

**CL – Chile,** Santiago  
Tel: +56 2 623 1216

**MX – Mexico,** Toluca  
Tel: +52 72 2275 4200



### EMEA Product Information Centre

Free phone: 00 800 27 27 5374

(from AT, BE, CH, CZ, DE, DK, EE, ES, FI, FR, IE, IL,  
IS, IT, LU, MT, NL, NO, PL, PT, RU, SE, SK, UK, ZA)

### US Product Information Centre

Toll-free number: 1-800-27 27 537

www.parker.com

Your local authorized Parker distributor