

General Description

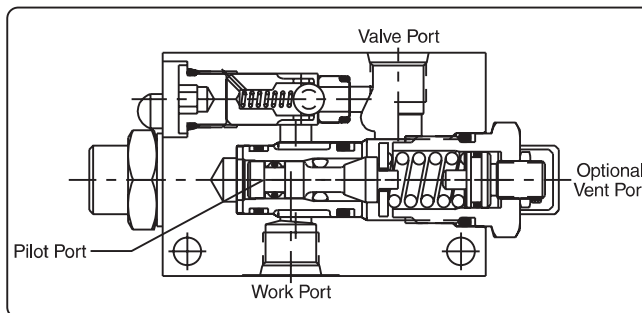
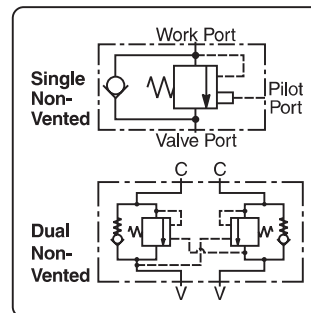
Body Style Counterbalance Valve. [For additional information see Technical Tips on pages LM1-LM5.](#)

Features

- Conical Poppet design provides longer metering stroke for stable operation
- Hardened seat provides reliable load holding
- External vent option available for high back pressure applications
- Tamper resistant cap for added safety and security
- Various pilot ratios available for application flexibility

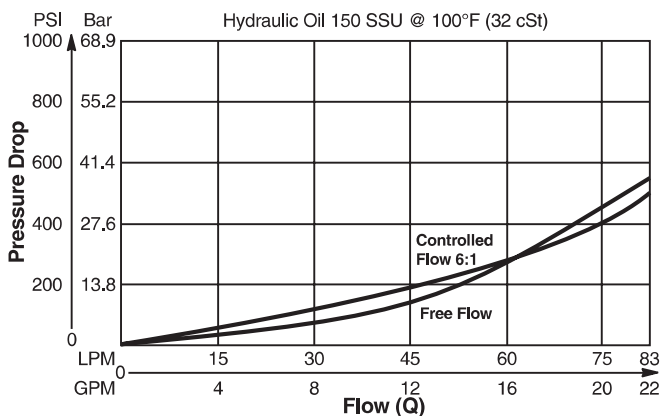
Specifications

Rated Flow	46.25 LPM (15 GPM)
Maximum Inlet Pressure	210 Bar (3000 PSI)
Leakage at 150 SSU (32 cSt)	5 drops/min. (.33 cc/min.) @ 80% of thermal crack pressure
Valve Material	All parts steel. All operating parts hardened steel.
Body Material	Aluminum
Operating Temp. Range (Ambient)	-31.7°C to +121.1°C (Fluorocarbon) (-25°F to +250°F)
Filtration	ISO Code 16/13, SAE Class 4 or better
Fluids	Mineral-based or synthetic with lubricating properties at viscosities of 45 to 2000 SSU (6 to 420 cSt)
Approx. Weight	Single 0.68 kg (1.5 lbs.) Double 1.36 kg (3.0 lbs.)



Performance Curve

Flow vs. Pressure Drop (Through cartridge only)



Ordering Information

MHB	—	015	—	□	□	□	□	□	□
Counterbalance Parts In Body		Nominal Flow Rating		Vent Setting	Pilot Ratio	Body Style	Holding Pressure	Porting	Pilot Port

Code Nominal Flow Rating	Code Pilot Ratio	Code / Body Style	Code Porting
015 46.3 LPM (15 GPM)	*A 1:1 Equal Area B 3:1 E 6:1 J 10:1	A / Single Inline D / Double Inline B / Single Gasket E / Double Gasket	51 SAE-6 52 SAE-8 (Gasket mount only)

Code Vent Setting	Code Holding Pressure	Code Pilot Port	
L Non-Vented W Vent	*C 17.2 to 34.5 Bar (250 to 500 PSI) 1:1 Pilot Crack Pressure E 34.5 to 103.4 Bar (500 to 1500 PSI) H 105 to 210 Bar (1500 to 3000 PSI)	N Internal Pilot (Dual valve only) E SAE-6 (Code 51 & 52 bodies only)	

**Equal Area does not have a thermal relief*

**Equal Area does not have a thermal relief*

Seal Kits:
Single 711708
Double 711709

mhb-015.pm6.5, bl, 6/04



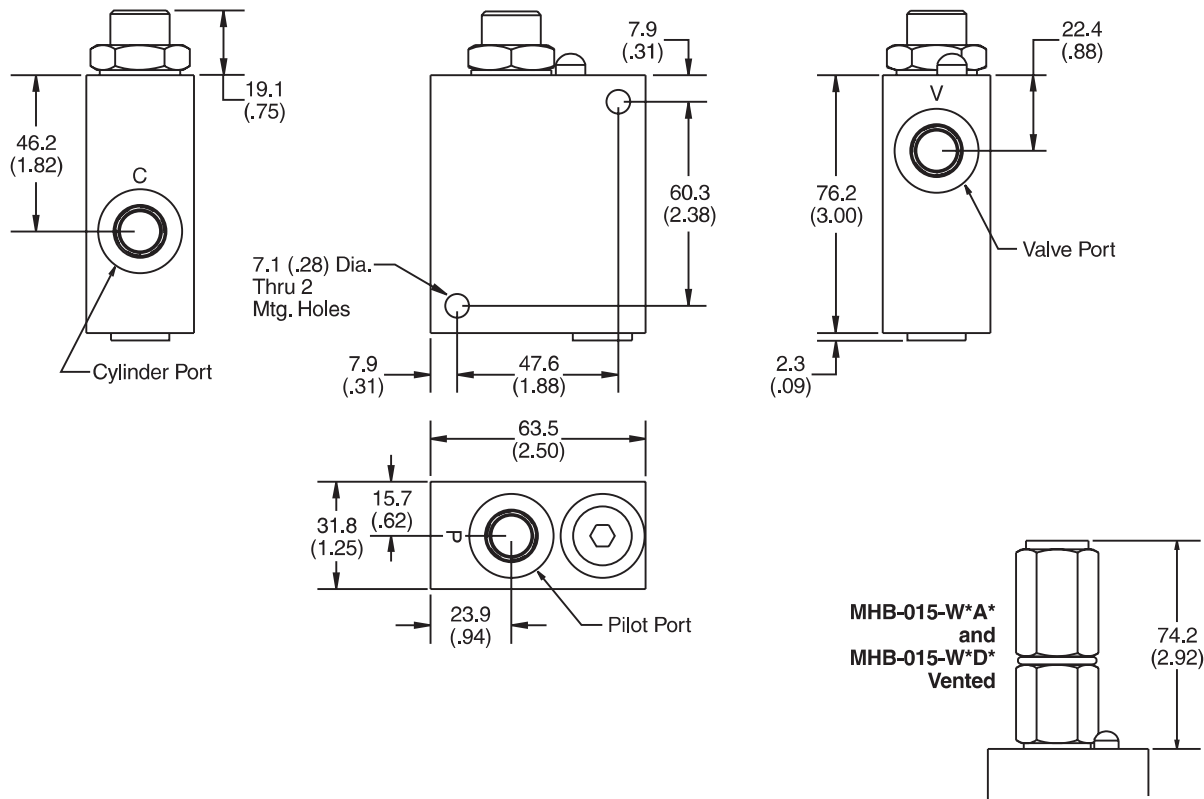
Dimensions

*Inch equivalents for millimeter dimensions are shown in (**)

Series MHB-015-L*A* Single Counterbalance, Non-Vented, In-line Mount

Series MHB-015-W*A* Single Counterbalance, Vented, In-line Mount

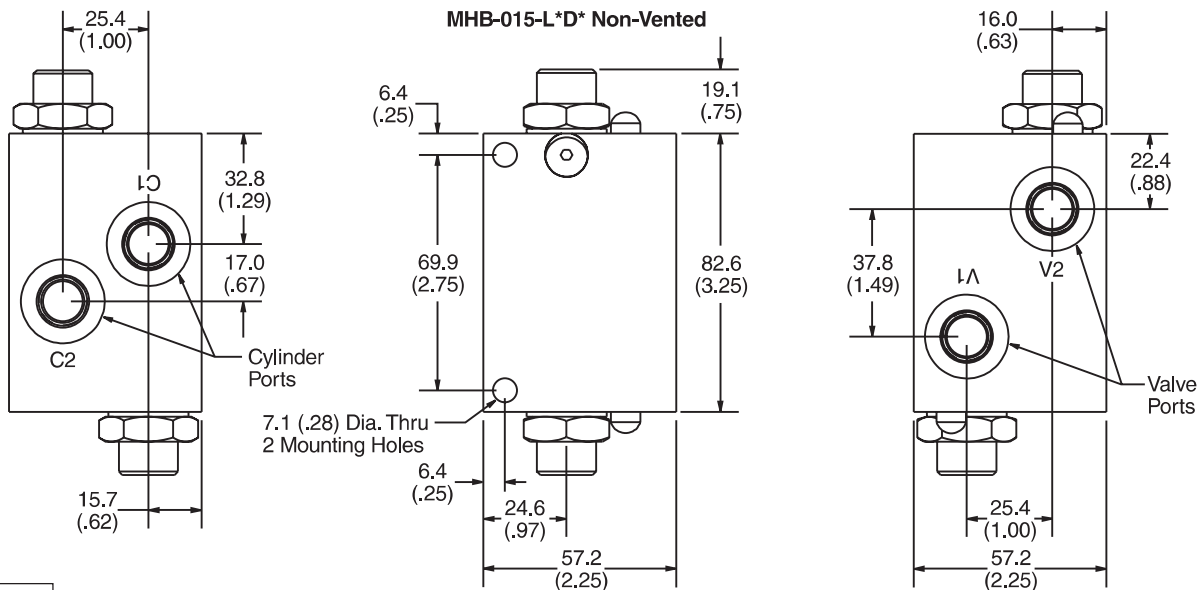
MHB-015-L*A* Non-Vented



Series MHB-015-L*D* Dual Counterbalance, Non-Vented, In-line Mount

Series MHB-015-W*D* Dual Counterbalance, Vented, In-line Mount

MHB-015-L*D* Non-Vented



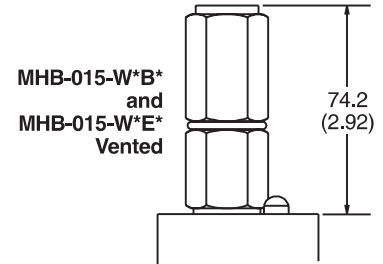
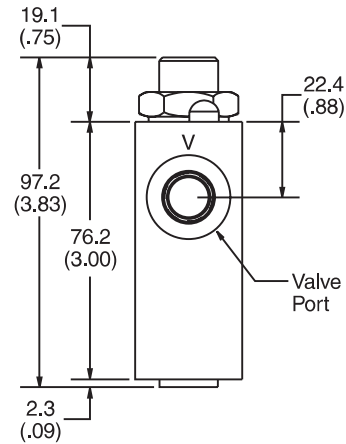
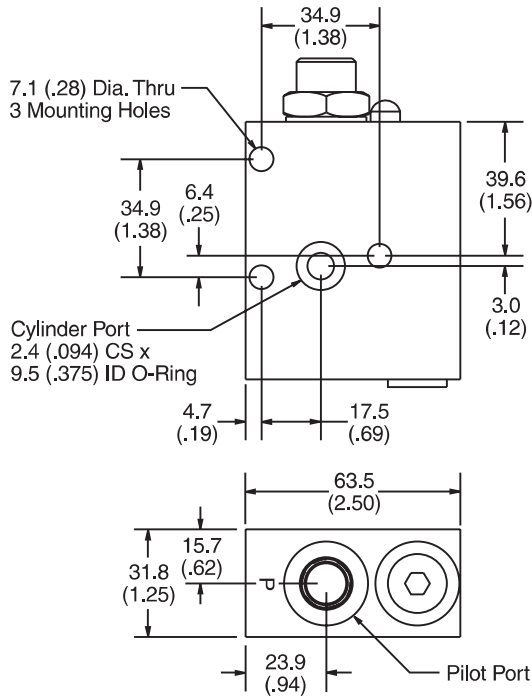
Dimensions

*Inch equivalents for millimeter dimensions are shown in (**)

Series MHB-015-L*B* Single Counterbalance, Non-Vented, Gasket Mount

Series MHB-015-W*B* Single Counterbalance, Vented, Gasket Mount

MHB-015-L*B* Non-Vented



Series MHB-015-L*E* Dual Counterbalance, Non-Vented, Gasket Mount

Series MHB-015-W*E* Dual Counterbalance, Vented, Gasket Mount

MHB-015-L*E* Non-Vented

