



Hydraulic Pumps - Service Information T7 / T67 / T6 Parts & Conversion Kits

Denison Vane - Flügelzellen - Palettes - Palette - Paletas



ENGINEERING YOUR SUCCESS.

General Information

Introduction	3
Glossary	3
Descriptions	3
Conversion tips	3

Cartridge Kits and Cam Rings

6 C Industrial Push Pin Technology T6 size C	4
6 D Industrial Push Pin Technology T6 size D	5
6 E Industrial Push Pin Technology TE size E	5
6 CM Mobile Push Pin Technology T6 size C	6
6 DM Mobile Push Pin Technology T6 size D	7
6 EM Mobile Push Pin Technology T6 size E	8
7 B Industrial Push Pin Technology T7 size B	9
7 D Industrial Push Pin Technology T7 size D	10
7 E Industrial Push Pin Technology T7 size E	11

Shaft Kits and Seal Kits

Single and double vane pumps	12
Triple vane pumps and T6H hybrid pumps	12

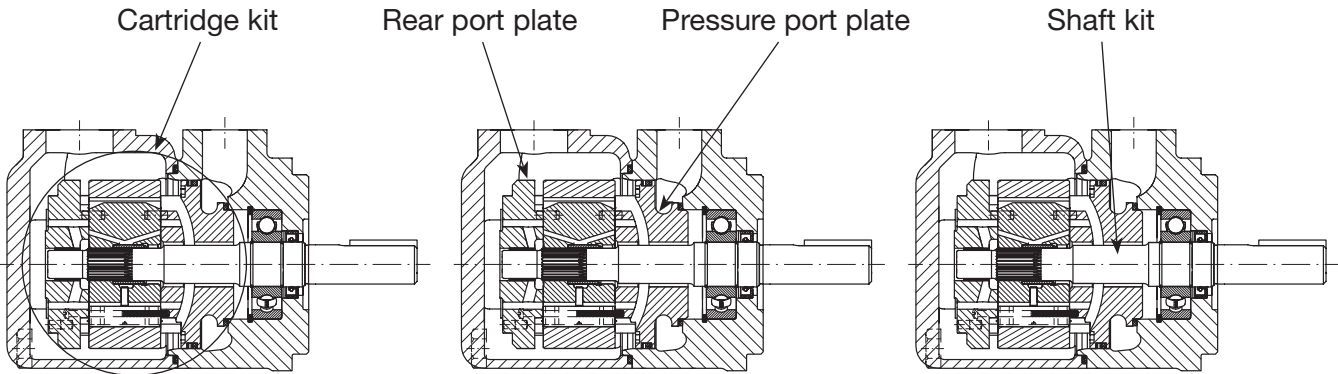
Port Plates

Single and double vane pumps	13
Triple vane pumps and T6H hybrid pumps	14
Warning	15

Introduction

The purpose of this short document is to inform the ordering numbers of the parts and kits that are allowing an easy service or conversion for most of our vane pumps. Should you not find your exact pump model in it, please consult your local Parker office.

Glossary



Descriptions

Cartridge kit

The cartridge kit is a complete pumping unit, new and factory tested. It is delivered with seals already installed on the pressure plate. The item numbers indicated in this document are valid for cartridge kits equipped with Buna N seals (Pumps with seal (class 1). Change in item number for other seal classes : Viton® = S**-*****-5 or EPR = S**-*****-4.

Shaft kit

The shaft kit is a sub assembly consisting of the shaft itself, the ball bearing with its snap rings and eventually a key (depending on shaft type).

Seal kit

The seal kit contains all the seals that are necessary to service the pump. The item numbers indicated in this document are valid for pumps equipped with Buna N seals (Pumps with seal class 1).

Change in item number for other seal classes : Viton® = S**-*****-5 or EPR = S**-*****-4

Pressure Port Plate

The pressure Port plate does not include any seal.

Rear port plate

The rear port plate is a sub assembly consisting of the rear port plate itself, a locating pin pressed in it and eventually a bush bearing (depending on pump type).

Conversion tips

7B, 6C and 6CM cartridges share the same external dimensions, hence are interchangeable within same position in a housing (example : T6CC and T67CB).

7D and 6D cartridges are interchangeable within same position in a housing (example : T67DB and T7DB).

7E and 6E cartridges are interchangeable within same position in a housing (example : T67EB and T7EB).

Cartridge Kits and Cam Rings

Industrial Push Pin Technology T6 size C

Series		Size	Cartridge kit						
6		C	Pump rotation way	T6C	T6CC T67CB	T6DC T67DC T67EC	T6DCC T67DCC T67DCB	T6CC T6DCC T67DCC T6DDC T6EDC T67EDC T67DDC T6H20C T6H29C	T6CR
	ml/rev.	Cam ring							
B03	10,8	034-59050-0	R	S14-97604-0	S24-58882-0	S24-26607-0	S24-25975-0	S24-10371-0	S24-26778-0
			L	S14-97605-0	S24-58883-0	S24-26608-0	S24-25985-0	S24-10372-0	S24-26777-0
B05	17,2	034-59051-0	R	S14-97606-0	S24-58884-0	S24-26609-0	S24-25976-0	S24-10373-0	S24-26780-0
			L	S14-97607-0	S24-58885-0	S24-26610-0	S24-25986-0	S24-10374-0	S24-26779-0
B06	21,3	034-59052-0	R	S14-97608-0	S24-58886-0	S24-26611-0	S24-25977-0	S24-10375-0	S24-26782-0
			L	S14-97609-0	S24-58887-0	S24-26612-0	S24-25987-0	S24-10376-0	S24-26781-0
B08	26,4	034-50953-0	R	S14-97610-0	S24-58888-0	S24-26613-0	S24-25978-0	S24-10377-0	S24-26784-0
			L	S14-97611-0	S24-58889-0	S24-26614-0	S24-25988-0	S24-10378-0	S24-26783-0
B10	34,1	034-59054-0	R	S14-97612-0	S24-58890-0	S24-26615-0	S24-25979-0	S24-10379-0	S24-26786-0
			L	S14-97613-0	S24-58891-0	S24-26616-0	S24-25989-0	S24-10380-0	S24-26785-0
B12	37,1	034-66595-0	R	S24-26494-0	S24-58892-0	S24-26617-0	S24-26500-0	S24-26498-0	S24-26788-0
			L	S24-26495-0	S24-58893-0	S24-26618-0	S24-26501-0	S24-26499-0	S24-26787-0
B14	46,0	034-59206-0	R	S14-97614-0	S24-58894-0	S24-26619-0	S24-25980-0	S24-10381-0	S24-26790-0
			L	S14-97615-0	S24-58514-0	S24-26620-0	S24-25990-0	S24-10382-0	S24-26789-0
B17	58,3	034-59207-0	R	S14-97616-0	S24-51569-0	S24-26621-0	S24-25981-0	S24-10383-0	S24-26792-0
			L	S14-97617-0	S24-51566-0	S24-26622-0	S24-25991-0	S24-10384-0	S24-26791-0
B20	63,8	034-66607-0	R	S24-31767-0	S24-58898-0	S24-33372-0	S24-49838-0	S24-40684-0	S24-33371-0
			L	S24-63300-0	S24-58899-0	S24-51657-0	S24-64678-0	S24-49540-0	S24-51747-0
B22	70,3	034-59208-0	R	S14-97618-0	S24-58900-0	S24-26623-0	S24-25982-0	S24-10385-0	S24-26794-0
			L	S14-97619-0	S24-58901-0	S24-26624-0	S24-25992-0	S24-10386-0	S24-26793-0
B25	79,3	034-59209-0	R	S14-97620-0	S24-58902-0	S24-26625-0	S24-25983-0	S24-10387-0	S24-26796-0
			L	S14-97621-0	S24-58903-0	S24-26626-0	S24-25993-0	S24-10388-0	S24-26795-0
B28	88,8	034-59245-0	R	S14-97622-0	S24-58904-0	S24-26627-0	S24-25984-0	S24-25973-0	S24-26798-0
			L	S14-97623-0	S24-58905-0	S24-26628-0	S24-25994-0	S24-25974-0	S24-26797-0
B31	100,0	034-66843-0	R	S24-50671-0	S24-58906-0	S24-51316-0	S24-59832-0	S24-51341-0	S24-63312-0
			L	S24-68068-0	S24-58907-0	S24-63283-0	S24-59833-0	S24-58367-0	S24-69239-0

Note : The item numbers indicated in this table are valid for pumps equipped with Buna N seals (Pumps with seal class 1).

Cartridge Kits and Cam Rings

Industrial Push Pin Technology T6 size D

Series		Size	Cartridge kit						
6		D	Pump rotation way	T6D T6DR T6DCC T6DCCR	T6DC T67DB T6DD T6DDC	T6ED T6EDC	T6DDCS T6H29D		
	ml/rev.	Cam ring							
B14	47,6	034-66708-0	R	S24-51677-0	S24-63394-0	S24-64130-0	S24-58140-0		
			L	S24-51571-0	S24-63395-0	S24-64131-0	S24-58141-0		
B17	58,2	034-67028-0	R	S24-59955-0	S24-63195-0	S24-73778-0	NA		
			L	S24-59956-0	S24-63196-0	S54-49374-0	NA		
B20	66,0	034-66596-0	R	S24-26502-0	S24-26578-0	S24-26585-0	S24-58142-0		
			L	S24-26503-0	S24-26579-0	S24-26586-0	S24-58143-0		
B24	79,5	034-59294-0	R	S24-25970-0	S24-26580-0	S24-26587-0	S24-58144-0		
			L	S24-25971-0	S24-26581-0	S24-26588-0	S24-58145-0		
B28	89,7	034-59133-0	R	S24-10123-0	S24-10158-0	S24-10220-0	S24-58146-0		
			L	S24-10124-0	S24-10159-0	S24-10221-0	S24-58147-0		
B31	98,3	034-59135-0	R	S24-10125-0	S24-10160-0	S24-10222-0	S24-58148-0		
			L	S24-10126-0	S24-10161-0	S24-10223-0	S24-58149-0		
B35	111,0	034-59137-0	R	S24-10127-0	S24-10162-0	S24-10224-0	S24-58150-0		
			L	S24-10128-0	S24-10163-0	S24-10225-0	S24-58151-0		
B38	120,3	034-59139-0	R	S24-10129-0	S24-10164-0	S24-10226-0	S24-58152-0		
			L	S24-10130-0	S24-10165-0	S24-10227-0	S24-58153-0		
B42	136,0	034-59132-0	R	S24-10131-0	S24-10166-0	S24-10228-0	S24-58154-0		
			L	S24-10132-0	S24-10167-0	S24-10229-0	S24-58175-0		
B45	145,7	034-59131-0	R	S24-10136-0	S24-10168-0	S24-10230-0	S24-58156-0		
			L	S24-10137-0	S24-10169-0	S24-10231-0	S24-58157-0		
B50	158,0	034-66737-0	R	S24-40610-0	R14-11890-0	S24-58396-0	S24-58158-0		
			L	S24-45060-0	S24-58429-0	S24-51383-0	S24-58159-0		

Industrial Push Pin Technology T6 size E

Series		Size	Cartridge kit						
6		E	Pump rotation way	T6E T6ER	T67EB T6EC T6ED T6EE T6EDB T6EDC	T6EE			
	ml/rev.	Cam ring							
USE 7E ITEM NUMBERS									

Note : The item numbers indicated in this table are valid for pumps equipped with Buna N seals (Pumps with seal class 1).



Cartridge Kits and Cam Rings

Mobile Push Pin Technology T6 size C

Series		Size	Cartridge kit						
6	ml/rev.	CM Cam ring	Pump rotation way	T6CM	T6CCM	T6DCM T6ECM	T6DCCM	T6CCM T6DCCM T6EDCM T6H20C T6H29C	T6CRM
				B03	10,8	034-59050-0	R L	S24-30097-0 S24-30098-0	S24-40150-0 S24-40151-0
B05	17,2	034-59051-0	R L	S24-30099-0 S24-30100-0	S24-40152-0 S24-40153-0	S24-40177-0 S24-40178-0	S24-40507-0 S24-40508-0	S24-40202-0 S24-40203-0	S24-44648-0 S24-44649-0
B06	21,3	034-59052-0	R L	S24-30101-0 S24-30102-0	S24-40154-0 S24-40155-0	S24-40179-0 S24-40180-0	S24-40509-0 S24-40510-0	S24-40204-0 S24-40205-0	S24-44650-0 S24-44651-0
B08	26,4	034-50953-0	R L	S24-30103-0 S24-30104-0	S24-40156-0 S24-40157-0	S24-40181-0 S24-40182-0	S24-40511-0 S24-40512-0	S24-40206-0 S24-40207-0	S24-44652-0 S24-44653-0
B10	34,1	034-59054-0	R L	S24-30105-0 S24-30106-0	S24-40158-0 S24-40159-0	S24-40183-0 S24-40184-0	S24-40513-0 S24-40514-0	S24-40208-0 S24-40209-0	S24-44654-0 S24-44655-0
B12	37,1	034-66595-0	R L	S24-30107-0 S24-30108-0	S24-40160-0 S24-40161-0	S24-40185-0 S24-40186-0	S24-40515-0 S24-40516-0	S24-40210-0 S24-40211-0	S24-44656-0 S24-44657-0
B14	46,0	034-59206-0	R L	S24-30109-0 S24-30110-0	S24-40162-0 S24-40163-0	S24-40187-0 S24-40188-0	S24-40517-0 S24-40518-0	S24-40212-0 S24-40213-0	S24-44658-0 S24-44659-0
B17	58,3	034-59207-0	R L	S24-30111-0 S24-30112-0	S24-40164-0 S24-40165-0	S24-40189-0 S24-40190-0	S24-40519-0 S24-40520-0	S24-40214-0 S24-40215-0	S24-44660-0 S24-44661-0
B20	63,8	034-66607-0	R L	S24-30113-0 S24-30114-0	S24-40166-0 S24-40167-0	S24-40191-0 S24-40192-0	S24-40521-0 S24-40522-0	S24-40216-0 S24-40217-0	S24-44662-0 S24-44663-0
B22	70,3	034-59208-0	R L	S24-30115-0 S24-30116-0	S24-40168-0 S24-40169-0	S24-40193-0 S24-40194-0	S24-40523-0 S24-40524-0	S24-40218-0 S24-40219-0	S24-44664-0 S24-44665-0
B25	79,3	034-59209-0	R L	S24-30117-0 S24-30118-0	S24-40170-0 S24-40171-0	S24-40195-0 S24-40196-0	S24-40525-0 S24-40526-0	S24-40220-0 S24-40221-0	S24-44666-0 S24-44667-0
B28	88,8	034-59245-0	R L	S24-30119-0 S24-30120-0	S24-40172-0 S24-40173-0	S24-40197-0 S24-40198-0	S24-40527-0 S24-40528-0	S24-40222-0 S24-40223-0	S24-44668-0 S24-44669-0
B31	100,0	034-66843-0	R L	S24-45791-0 S24-45792-0	S24-45793-0 S24-45794-0	S24-45795-0 S24-45796-0	S24-45777-0 S24-45778-0	S24-45775-0 S24-45776-0	S24-49345-0 S24-58015-0

Note : The item numbers indicated in this table are valid for pumps equipped with Buna N seals (Pumps with seal class 1).

Mobile Push Pin Technology T6 size D

Series		Size	Cartridge kit						
6	ml/rev.	DM	Pump rotation way	T6DM	T6DCM	T6EDM			
		Cam ring		T6DCCM T6DRM		T6EDCM			
B14	47,6	034-66708-0	R	S24-40789-0	S24-40793-0	S24-40797-0			
			L	S24-40790-0	S24-40794-0	S24-40798-0			
B17	58,2	034-67028-0	R	S24-63325-0	S24-64379-0	S24-68493-0			
			L	S24-64242-0	S24-64380-0	S24-68494-0			
B20	66,0	034-66596-0	R	S24-30139-0	S24-40055-0	S24-40330-0			
			L	S24-30140-0	S24-40056-0	S24-40331-0			
B24	79,5	034-59294-0	R	S24-30141-0	S24-40057-0	S24-40332-0			
			L	S24-30142-0	S24-40058-0	S24-40333-0			
B28	89,7	034-59133-0	R	S24-30143-0	S24-40059-0	S24-40334-0			
			L	S24-30144-0	S24-40060-0	S24-40335-0			
B31	98,3	034-59135-0	R	S24-30145-0	S24-40061-0	S24-40336-0			
			L	S24-30146-0	S24-40062-0	S24-40337-0			
B35	111,0	034-59137-0	R	S24-30147-0	S24-40063-0	S24-40338-0			
			L	S24-30148-0	S24-40064-0	S24-40339-0			
B38	120,3	034-59139-0	R	S24-30149-0	S24-40065-0	S24-40340-0			
			L	S24-30150-0	S24-40066-0	S24-40341-0			
B42	136,0	034-59132-0	R	S24-30151-0	S24-40067-0	S24-40342-0			
			L	S24-30152-0	S24-40068-0	S24-40343-0			
B45	145,7	034-59131-0	R	S24-30153-0	S24-40069-0	S24-40344-0			
			L	S24-30154-0	S24-40070-0	S24-40345-0			
B50	158,0	034-66737-0	R	S24-40030-0	S24-40071-0	S24-40346-0			
			L	S24-40031-0	S24-40072-0	S24-40347-0			

Note : The item numbers indicated in this table are valid for pumps equipped with Buna N seals (Pumps with seal class 1).



Cartridge Kits and Cam Rings

Mobile Push Pin Technology T6 size E

Size		Series	Cartridge kit						
6	ml/rev.	EM Cam ring	Pump rotation way	T6 ^{EM} T6 ^{ERM}	T6 ^{EM} T6 ^{EDM} T6 ^{EDCM}				
				042	132,3	034-66899-0	R L	S24-49392-0 S24-49393-0	S24-49394-0 S24-49395-0
045	142,4	034-59164-0	R L	S24-40014-0 S24-40015-0	S24-40377-0 S24-40378-0				
050	158,5	034-66744-0	R L	S24-40767-0 S24-40768-0	S24-40771-0 S24-40772-0				
052	164,8	034-59165-0	R L	S24-40016-0 S24-40017-0	S24-40379-0 S24-40380-0				
054	171,0	034-67420-0	R L	S24-93700-0 NA	NA NA				
057	183,3	034-67360-0	R L	S54-45214-0 S54-48217-0	S24-90990-0 S54-45899-0				
062	196,7	034-59166-0	R L	S24-40018-0 S24-40019-0	S24-40381-0 S24-40382-0				
066	213,3	034-59167-0	R L	S24-40020-0 S24-40021-0	S24-40383-0 S24-40384-0				
072	227,1	034-66736-0	R L	S24-40022-0 S24-40023-0	S24-40385-0 S24-40386-0				
085	268,7	034-67030-0	R L	S24-59885-0 S24-64529-0	S24-68723-0 S24-68724-0				

Note : The item numbers indicated in this table are valid for pumps equipped with Buna N seals (Pumps with seal class 1).

Industrial Push Pin Technology T7 size B

Series		Size		Cartridge kit					
7		B		Pump rotation way	T7 ^B	T7 ^{BB}	T7 ^B ^B T67 ^{CB} ^B T7 ^{DBB} ^B T67 ^{DEB} ^B T67 ^{DCB} ^B T6H20 ^B ^B T6H29 ^B ^B	T7 ^{DB} ^B T67 ^{DB} ^B T7 ^{EB} ^B T67 ^{EB} ^B	T67 ^{DBB} ^B
ml/rev.	Cam ring	R	L						
B02	5,8	034-66909-0	R	S24-50144-0	S24-58078-0	S24-50610-0	S24-51513-0	S24-59709-0	
			L	S24-50145-0	S24-58079-0	S24-50611-0	S24-51514-0	S24-59710-0	
B03	9,8	034-66910-0	R	S24-50146-0	S24-58080-0	S24-50612-0	S24-51515-0	S24-59711-0	
			L	S24-50147-0	S24-58081-0	S24-50613-0	S24-51516-0	S24-59712-0	
B04	12,8	034-66911-0	R	S24-50148-0	S24-58082-0	S24-50614-0	S24-51517-0	S24-59713-0	
			L	S24-50149-0	S24-58083-0	S24-50615-0	S24-51518-0	S24-59714-0	
B05	15,9	034-66912-0	R	S24-50150-0	S24-58084-0	S24-50616-0	S24-51519-0	S24-59715-0	
			L	S24-50151-0	S24-58085-0	S24-50617-0	S24-51520-0	S24-59716-0	
B06	19,8	034-66913-0	R	S24-50152-0	S24-58086-0	S24-50618-0	S24-51521-0	S24-59717-0	
			L	S24-50153-0	S24-58087-0	S24-50619-0	S24-51522-0	S24-59718-0	
B07	22,5	034-67063-0	R	S24-59970-0	S24-59974-0	S24-59907-0	S24-59972-0	S24-59976-0	
			L	S24-59971-0	S24-59975-0	S24-59908-0	S24-59973-0	S24-59977-0	
B08	24,9	034-66914-0	R	S24-50154-0	S24-58088-0	S24-50620-0	S24-51523-0	S24-59719-0	
			L	S24-50155-0	S24-58089-0	S24-50621-0	S24-51524-0	S24-59720-0	
B09	28,0	034-67383-0	R	S24-77219-0	S24-77225-0	S24-72910-0	S24-77376-0	S24-77916-0	
			L	S24-77220-0	S24-77226-0	S24-72697-0	S24-77377-0	S24-59917-0	
B10	31,8	034-66915-0	R	S24-50156-0	S24-58090-0	S24-50622-0	S24-51525-0	S24-59721-0	
			L	S24-50157-0	S24-58091-0	S24-50623-0	S24-51526-0	S24-59722-0	
B11	35,0	034-67461-0	R	S24-77221-0	S24-77227-0	S24-77173-0	S24-77378-0	S24-77918-0	
			L	S24-77223-0	S24-77228-0	S24-76880-0	S24-77379-0	S24-77919-0	
B12	41,0	034-67032-0	R	S24-59005-0	S24-59013-0	S24-59009-0	S24-59017-0	S24-59723-0	
			L	S24-59006-0	S24-59014-0	S24-59010-0	S24-59018-0	S24-59724-0	
B14	45,0	034-67409-0	R	S24-72881-0	S24-77229-0	S24-77174-0	S24-77380-0	S24-77920-0	
			L	S24-77224-0	S24-77230-0	S24-77176-0	S24-77381-0	S24-77921-0	
B15	50,0	034-67034-0	R	S24-59007-0	S24-59015-0	S24-59011-0	S24-59019-0	S24-59725-0	
			L	S24-59008-0	S24-59016-0	S24-59012-0	S24-59020-0	S24-59726-0	

Note : The item numbers indicated in this table are valid for pumps equipped with Buna N seals (Pumps with seal class 1).

Cartridge Kits and Cam Rings

Industrial Push Pin Technology T7 size D

Series		Size	Cartridge kit						
7	ml/rev.	D Cam ring	Pump rotation way	T7D T7DR T67DCC T67DBB T67DCB	T67DC T7DB T7DD T67DDC T7DDB	T7ED T67EDC T7EDB	T7DD T67DDC T7DDB		
				B14	44,0	034-67469-0	R L	S24-76312-0 S24-76313-0	S24-76963-0 S24-76964-0
B17	55,0	034-67470-0	R L	S24-76314-0 S24-76315-0	S24-76965-0 S24-76966-0	S24-90572-0 S24-90573-0	S24-76985-0 S24-76986-0		
B20	66,0	034-67159-0	R L	S24-76316-0 S24-76317-0	S24-76967-0 S24-76968-0	S24-90574-0 S24-90575-0	S24-76987-0 S24-76988-0		
B22	70,3	034-67482-0	R L	S24-76318-0 S24-76319-0	S24-76969-0 S24-76970-0	S24-90576-0 S24-90577-0	S24-76989-0 S24-76990-0		
B24	81,1	034-67158-0	R L	S24-76320-0 S24-76321-0	S24-76971-0 S24-76972-0	S24-90578-0 S24-90579-0	S24-76991-0 S24-76992-0		
B28	90,0	034-67157-0	R L	S24-76322-0 S24-76323-0	S24-76973-0 S24-76974-0	S24-90580-0 S24-90581-0	S24-76993-0 S24-76994-0		
B31	99,2	034-67156-0	R L	S24-76324-0 S24-76325-0	S24-76975-0 S24-76976-0	S24-90582-0 S24-90583-0	S24-76995-0 S24-76996-0		
B35	113,4	034-67155-0	R L	S24-76326-0 S24-76327-0	S24-76977-0 S24-76978-0	S24-90584-0 S24-90585-0	S24-76997-0 S24-76998-0		
B38	120,6	034-67154-0	R L	S24-76328-0 S24-76329-0	S24-76979-0 S24-76980-0	S24-90586-0 S24-90587-0	S24-76999-0 S24-77000-0		
B42	137,5	034-67153-0	R L	S24-76330-0 S24-76331-0	S24-76981-0 S24-76982-0	S24-90588-0 S24-90589-0	S24-77001-0 S24-77002-0		

Note : The item numbers indicated in this table are valid for pumps equipped with Buna N seals (Pumps with seal class 1).

Industrial Push Pin Technology T7 size E

Series		Size	Cartridge kit						
7	ml/rev.	E Cam ring	Pump rotation way	T7E	T7EB T67EC T7ED T7EE T7EDB T67EDC	T7EE	T7EEC		
045	142,4	034-67504-0	R L	S24-77577-0 S24-77578-0	S24-77677-0 S24-77678-0	S24-90002-0 S24-90003-0			
050	158,5	034-67505-0	R L	S24-77579-0 S24-77580-0	S24-77679-0 S24-77680-0	S24-90004-0 S24-90005-0			
052	164,8	034-67506-0	R L	S24-77581-0 S24-77582-0	S24-77681-0 S24-77682-0	S24-90006-0 S24-90007-0			
054	171,0	034-67619-0	R L	S24-77583-0 S24-77584-0	S24-77683-0 S24-77684-0	S24-90008-0 S24-90009-0			
057	183,3	034-67507-0	R L	S24-77585-0 S24-77586-0	S24-77685-0 S24-77686-0	S24-90010-0 S24-90011-0			
062	196,7	034-67508-0	R L	S24-77587-0 S24-77588-0	S24-77687-0 S24-77688-0	S24-90012-0 S24-90013-0			
066	213,3	034-67509-0	R L	S24-77589-0 S24-77590-0	S24-77689-0 S24-77690-0	S24-90014-0 S24-90015-0			
072	227,1	034-67447-0	R L	S24-77591-0 S24-77592-0	S24-77691-0 S24-77692-0	S24-90016-0 S24-90017-0			
085	268,7	034-67455-0	R L	S24-77593-0 S24-77594-0	S24-77693-0 S24-77694-0	S24-90018-0 S24-90019-0			

Note : The item numbers indicated in this table are valid for pumps equipped with Buna N seals (Pumps with seal class 1).



Pumps		Shaft kit						Seal kit
		1	2	3	4	5	Others	
Single Pumps	T7B, T7BS	S24-50140-0	S24-50142-0	S24-50141-0	S24-59295-0			S24-49112-0
	T6C, T6CM	S14-24570-0	S14-25645-0	S14-24569-0	S24-10430-0			S24-10133-0
	T6D, T7D, T7DS, T6DM	S14-20084-0	S14-25646-0	S14-20085-0	S14-40835-0	S24-45064-0		S24-10138-0
	T6E, T7E, T7ES, T6EM	S14-28174-0	S24-49212-0	S14-28173-0	S24-00092-0	S24-76750-0	T: S24-33622-0	S24-10186-0
	T6CR, T6CRM	S24-26345-0	S24-26344-0	S24-26346-0	S24-26347-0	S24-26348-0		S24-26387-0
	T6DR, T6DRM	S24-26349-0	S24-26350-0	S24-26351-0		S24-26352-0		S24-26384-0
	T6ER, T6ERM	S24-26339-0		S24-49361-0	S24-26340-0			S24-26381-0
Double Pumps	T7BB, T7BBS	S24-63463-0	S24-26208-0	S24-63464-0	S24-63465-0	S24-63466-0		S14-97724-0
	T67CB, T6CC, T6CCM	S24-10346-0		S24-10348-0		S24-10347-0		S24-10352-0
	T67CBW		S24-26208-0					S14-97724-0
	T6CCW T6CCMW		S24-26208-0				R: S24-30001-0 T: S24-40034-0 V: S14-97723-0 W: S24-26376-0 X: S24-26211-0	S14-97724-0
	T7DB, T7DBS	S14-42520-0	S14-42521-0	S14-42518-0	S14-42519-0	S24-45065-0		S24-10170-0
	T67DB	S14-42520-0	S14-42521-0	S14-42518-0	S14-42519-0			S24-10170-0
	T6DC, T67DC, T6DCM	S14-42520-0	S14-42521-0	S14-42518-0	S14-42519-0			S24-10170-0
	T6DCW, T67DCW, T6DCMW					S24-26206-0	T: S24-33620-0	S24-26207-0
	T7DD, T7DDS	S24-72352-0	S24-72353-0	S24-72354-0	S24-72355-0	S24-77003-0		
	T6DDS,	S24-72352-0	S24-72353-0	S24-72354-0	S24-72355-0	S24-72356-0		S24-72351-0
	T67EB, T7EB, T7EBS	S14-28178-0	S24-49213-0	S14-28176-0	S14-28177-0	S24-77721-0		S24-10242-0
	T6EC, T67EC, T6ECM	S14-28178-0	S24-49213-0	S14-28176-0	S14-28177-0		T: S24-33621-0	S24-10242-0
	T6ED, T7ED, T7EDS, T6EDM	S14-28182-0	S14-49214-0	S14-28180-0	S14-28181-0	S14-77695-0	T: S24-40543-0	S24-10219-0
T6EES, T7EE, T7EES	S24-69070-0	S24-69071-0	S24-69072-0	S24-69761-0	S24-69762-0		S24-69073-0	
Triple Pumps	T67DBB	S24-25571-0	S24-25572-0	S24-25573-0	S24-25574-0			S24-25575-0
	T67DCB	S24-25571-0	S24-25572-0	S24-25573-0	S24-25574-0			S24-25575-0
	T6DCC, T67DCC, T6DCCM	S24-25571-0	S24-25572-0	S24-25573-0	S24-25574-0		6: S24-40504-0	S24-25575-0
	T67DDBS, T7DDB, T7DDBS	S24-72358-0	S24-72359-0	S24-72360-0	S24-72361-0	S24-77004-0		S24-72357-0
	T6DDCS, T67DDCS	S24-72358-0	S24-72359-0	S24-72360-0	S24-72361-0	S24-72362-0		S24-72357-0
	T67EDB, T7EDB, T7EDBS	S24-44516-0	S24-51348-0	S24-44517-0				S24-44823-0
	T67EDC, T67EDCS	S24-44516-0	S24-51348-0	S24-44517-0				S24-44823-0
	T6EDC, T6EDCM	S24-44516-0		S24-44517-0				S24-44823-0
	T6DCCR, T67DCCR		S24-45371-0	S24-40638-0				S24-45299-0
	T6EDCR, T67EDCRS	S24-44979-0		S24-44978-0				S24-44977-0
Hybrid Pumps	T6H20B	S24-45930-0		S24-45931-0	S24-45932-0	S24-45933-0		S24-72839-0
	T6H20C	S24-45930-0		S24-45931-0	S24-45932-0	S24-45933-0		S24-72839-0
	T6H29B	S24-59490-0		S24-59491-0				S24-59492-0
	T6H29C	S24-59490-0		S24-59491-0				S24-59492-0
	T6H29D	S24-51451-0		S24-51452-0				S24-51448-0

Note : The seal kits indicated in this table are valid for pumps equipped with Buna N seals (Pumps with seal class 1).

Port Plates

T7 / T67 / T6 Denison Vane Pumps

Pumps		Cartridges			Pump rotation way R		Pump rotation way L	
		Port	Series	Size	Pressure	Rear	Pressure	Rear
Single pumps	T7B, T7BS	P	7	B	034-66923-0	S24-49791-0	034-66923-0	S24-49791-0
	T6C, T6CM	P	6	C	034-66453-0	S14-45605-0	034-66453-0	S14-45605-0
	T6CR, T6CRM	P	6	C	034-66453-0	S24-10349-0	034-66453-0	S24-10349-0
	T6D, T6DM	P	6	D	034-59057-0	S24-10122-0	034-59057-0	S24-10122-0
	T6DR, T6DRM	P	6	D	034-66453-0	S24-10349-0	034-66453-0	S24-10349-0
	T7D, T7DS	P	7	D	034-67479-0	S24-76332-0	034-67479-0	S24-76332-0
	T6E, T6EM	P	6	E	034-67408-0	S24-10175-0	034-67434-0	S24-10176-0
	T6ER, T6ERM	P	6	E	034-67408-0	S24-10175-0	034-67434-0	S24-10176-0
	T7E, T7ES	P	7	E	034-67408-0	S24-10175-0	034-67434-0	S24-10176-0
Double pumps	T7BB, T7BBS	P1 P2	7 7	B B	034-66923-0 034-66923-0	S24-58196-0 S24-50642-0	034-66923-0 034-66923-0	S24-58196-0 S24-50642-0
	T67CB, T67CBW	P1 P2	6 7	C B	034-66453-0 034-66923-0	S24-10418-0 S24-50642-0	034-66453-0 034-66923-0	S24-10418-0 S24-50642-0
	T6CC, T6CCW	P1 P2	6 6	C C	034-66453-0 034-66453-0	S24-10418-0 S24-10349-0	034-66453-0 034-66453-0	S24-10418-0 S24-10349-0
	T6CCM, T6CCMW	P1 P2	6 6	C C	034-66453-0 034-66453-0	S24-10418-0 S24-10349-0	034-66453-0 034-66453-0	S24-10418-0 S24-10349-0
	T67DB, T67DBW	P1 P2	6 7	D B	034-59057-0 034-66923-0	S24-10187-0 S24-51527-0	034-59057-0 034-66923-0	S24-10187-0 S24-51527-0
	T7DB, T7DBW	P1 P2	7 7	D B	034-67479-0 034-66923-0	S24-76916-0 S24-51527-0	034-67479-0 034-66923-0	S24-76916-0 S24-51527-0
	T6DC, T6DCW	P1 P2	6 6	D C	034-59057-0 034-66453-0	S24-10187-0 S24-10139-0	034-59057-0 034-66453-0	S24-10187-0 S24-10139-0
	T6DCM, T6DCMW	P1 P2	6 6	D C	034-59057-0 034-66453-0	S24-10187-0 S24-10139-0	034-59057-0 034-66453-0	S24-10187-0 S24-10139-0
	T67DC, T67DCW	P1 P2	6 7	D C	034-59057-0 034-66453-0	S24-10187-0 S24-10139-0	034-59057-0 034-66453-0	S24-10187-0 S24-10139-0
	T7DD, T7DDS	P1 P2	7 7	D D	034-67479-0 034-67479-0	S24-76916-0 S24-76332-0	034-67479-0 034-67479-0	S24-76916-0 S24-76332-0
	T7EB, T7EBS	P1 P2	7 7	E B	034-67408-0 034-66923-0	S24-10214-0 S24-51527-0	034-67434-0 034-66923-0	S24-10215-0 S24-51527-0
	T6EC, T6ECM	P1 P2	6 6	E C	034-67408-0 034-66453-0	S24-10214-0 S24-10139-0	034-67434-0 034-66453-0	S24-10215-0 S24-10139-0
	T67EC	P1 P2	6 7	E C	034-67408-0 034-66453-0	S24-10214-0 S24-10139-0	034-67434-0 034-66453-0	S24-10215-0 S24-10139-0
	T6ED, T6EDM	P1 P2	6 6	E D	034-67408-0 034-59057-0	S24-10214-0 S24-10216-0	034-67434-0 034-59057-0	S24-10215-0 S24-10216-0
	T7ED, T7EDS	P1 P2	7 7	E D	034-67408-0 034-67479-0	S24-10214-0 S24-90562-0	034-67434-0 034-67479-0	S24-10215-0 S24-90562-0
	T6EE, T6EES	P1 P2	6 6	E E	034-67408-0 034-67434-0	S24-10214-0 S24-90551-0	034-67434-0 034-67408-0	S24-10215-0 S24-90552-0
	T7EE, T7EES	P1 P2	7 7	E E	034-67408-0 034-67434-0	S24-10214-0 S24-90551-0	034-67434-0 034-67408-0	S24-10215-0 S24-90552-0

Port Plates

Pumps	Cartridges			Pump rotation way R		Pump rotation way L		
	Port	Series	Size	Pressure	Rear	Pressure	Rear	
Triple pumps	T67DBB	P1	7	D	034-67479-0	S24-76332-0	034-67479-0	S24-76332-0
		P2	7	B	034-37060-0	S24-59751-0	034-37060-0	S24-59751-0
		P3	7	B	034-66923-0	S24-50642-0	034-66923-0	S24-50642-0
	T67DCB	P1	7	D	034-67479-0	S24-76332-0	034-67479-0	S24-76332-0
		P2	6	C	034-66493-0	S24-10418-0	034-66493-0	S24-10418-0
		P3	7	B	034-66923-0	S24-50642-0	034-66923-0	S24-50642-0
	T6DCC, T6DCCM	P1	6	D	034-59057-0	S24-10122-0	034-59057-0	S24-10122-0
		P2	6	C	034-66493-0	S24-10418-0	034-66493-0	S24-10418-0
		P3	6	C	034-66453-0	S24-10349-0	034-66453-0	S24-10349-0
	T6DCCR	P1	6	D	034-59057-0	S24-10122-0	034-59057-0	S24-10122-0
		P2	6	C	034-66493-0	S24-10418-0	034-66493-0	S24-10418-0
		P3	6	C	034-66453-0	S24-10349-0	034-66453-0	S24-10349-0
T67DCC	P1	7	D	034-67479-0	S24-76332-0	034-67479-0	S24-76332-0	
	P2	6	C	034-66493-0	S24-10418-0	034-66493-0	S24-10418-0	
	P3	6	C	034-66453-0	S24-10349-0	034-66453-0	S24-10349-0	
T7DDB, T7DDBS	P1	7	D	034-67479-0	S24-76916-0	034-67479-0	S24-76916-0	
	P2	7	D	034-67479-0	S24-76332-0	034-67479-0	S24-76332-0	
	P3	7	B	034-66923-0	S24-50642-0	034-66923-0	S24-50642-0	
T6DDCS	P1	6	D	034-59057-0	S24-10187-0	034-59057-0	S24-10187-0	
	P2	6	D	034-59057-0	S24-10122-0	034-59057-0	S24-10122-0	
	P3	6	C	034-66453-0	S24-10349-0	034-66453-0	S24-10349-0	
T67DDCS	P1	7	D	034-67479-0	S24-76916-0	034-67479-0	S24-76916-0	
	P2	7	D	034-66493-0	S24-76332-0	034-66493-0	S24-76332-0	
	P3	6	C	034-66453-0	S24-10349-0	034-66453-0	S24-10349-0	
T7EDB, T7EDBS	P1	7	E	034-67408-0	S24-10214-0	034-67434-0	S24-10215-0	
	P2	7	D	034-67479-0	S24-90562-0	034-67479-0	S24-90562-0	
	P3	7	B	034-66923-0	S24-50642-0	034-66923-0	S24-50642-0	
T6EDC, T6EDCR	P1	6	E	034-67408-0	S24-10214-0	034-67434-0	S14-10215-0	
	P2	6	D	034-59057-0	S24-10216-0	034-59057-0	S24-10216-0	
	P3	6	C	034-66453-0	S24-10349-0	034-66453-0	S24-10349-0	
T6EDCM, T6EDCS	P1	6	E	034-67408-0	S24-10214-0	034-67434-0	S14-10215-0	
	P2	6	D	034-59057-0	S24-10216-0	034-59057-0	S24-10216-0	
	P3	6	C	034-66453-0	S24-10349-0	034-66453-0	S24-10349-0	
T67EDC, T67EDCS	P1	7	E	034-67408-0	S24-10214-0	034-67434-0	S24-10215-0	
	P2	7	D	034-67479-0	034-67479-0	034-67479-0	034-67479-0	
	P3	6	C	034-66453-0	034-66453-0	034-66453-0	034-66453-0	
Hybrid pumps	T6H20B	P2	7	B	034-66923-0	S24-50642-0	034-66923-0	S24-50642-0
	T6H29B	P2	7	B	034-66923-0	S24-50642-0	034-66923-0	S24-50642-0
	T6H20C	P2	6	C	034-66453-0	S24-10349-0	034-66453-0	S24-10349-0
	T6H29C	P2	6	C	034-66453-0	S24-10349-0	034-66453-0	S24-10349-0
	T6H29D	P2	6	D	034-59057-0	S24-10122-0	034-59057-0	S24-10122-0

Warning



WARNING – USER RESPONSIBILITY

FAILURE OR IMPROPER SELECTION OR IMPROPER USE OF THE PRODUCTS DESCRIBED HEREIN OR RELATED ITEMS CAN CAUSE DEATH, PERSONAL INJURY AND PROPERTY DAMAGE.

This document and other information from Parker-Hannifin Corporation, its subsidiaries and authorized distributors provide product or system options for further investigation by users having technical expertise.

The user, through its own analysis and testing, is solely responsible for making the final selection of the system and components and assuring that all performance, endurance, maintenance, safety and warning requirements of the application are met. The user must analyze all aspects of the application, follow applicable industry standards, and follow the information concerning the product in the current product catalog and in any other materials provided from Parker or its subsidiaries or authorized distributors.

To the extent that Parker or its subsidiaries or authorized distributors provide component or system options based upon data or specifications provided by the user, the user is responsible for determining that such data and specifications are suitable and sufficient for all applications and reasonably foreseeable uses of the components or systems.

Offer of Sale

Please contact your Parker representation for a detailed "Offer of Sale".

Parker Worldwide

Europe, Middle East, Africa

AE – United Arab Emirates, Dubai

Tel: +971 4 8127100
parker.me@parker.com

AT – Austria, Wiener Neustadt

Tel: +43 (0)2622 23501-0
parker.austria@parker.com

AT – Eastern Europe, Wiener Neustadt

Tel: +43 (0)2622 23501 900
parker.easteurope@parker.com

AZ – Azerbaijan, Baku

Tel: +994 50 2233 458
parker.azerbaijan@parker.com

BE/LU – Belgium, Nivelles

Tel: +32 (0)67 280 900
parker.belgium@parker.com

BG – Bulgaria, Sofia

Tel: +359 2 980 1344
parker.bulgaria@parker.com

BY – Belarus, Minsk

Tel: +48 (0)22 573 24 00
parker.poland@parker.com

CH – Switzerland, Etoy

Tel: +41 (0)21 821 87 00
parker.switzerland@parker.com

CZ – Czech Republic, Klecany

Tel: +420 284 083 111
parker.czechrepublic@parker.com

DE – Germany, Kaarst

Tel: +49 (0)2131 4016 0
parker.germany@parker.com

DK – Denmark, Ballerup

Tel: +45 43 56 04 00
parker.denmark@parker.com

ES – Spain, Madrid

Tel: +34 902 330 001
parker.spain@parker.com

FI – Finland, Vantaa

Tel: +358 (0)20 753 2500
parker.finland@parker.com

FR – France, Contamine s/Arve

Tel: +33 (0)4 50 25 80 25
parker.france@parker.com

GR – Greece, Piraeus

Tel: +30 210 933 6450
parker.greece@parker.com

HU – Hungary, Budaörs

Tel: +36 23 885 470
parker.hungary@parker.com

IE – Ireland, Dublin

Tel: +353 (0)1 466 6370
parker.ireland@parker.com

IL – Israel

Tel: +39 02 45 19 21
parker.israel@parker.com

IT – Italy, Corsico (MI)

Tel: +39 02 45 19 21
parker.italy@parker.com

KZ – Kazakhstan, Almaty

Tel: +7 7273 561 000
parker.easteurope@parker.com

NL – The Netherlands, Oldenzaal

Tel: +31 (0)541 585 000
parker.nl@parker.com

NO – Norway, Asker

Tel: +47 66 75 34 00
parker.norway@parker.com

PL – Poland, Warsaw

Tel: +48 (0)22 573 24 00
parker.poland@parker.com

PT – Portugal

Tel: +351 22 999 7360
parker.portugal@parker.com

RO – Romania, Bucharest

Tel: +40 21 252 1382
parker.romania@parker.com

RU – Russia, Moscow

Tel: +7 495 645-2156
parker.russia@parker.com

SE – Sweden, Spånga

Tel: +46 (0)8 59 79 50 00
parker.sweden@parker.com

SK – Slovakia, Banská Bystrica

Tel: +421 484 162 252
parker.slovakia@parker.com

SL – Slovenia, Novo Mesto

Tel: +386 7 337 6650
parker.slovenia@parker.com

TR – Turkey, Istanbul

Tel: +90 216 4997081
parker.turkey@parker.com

UA – Ukraine, Kiev

Tel: +48 (0)22 573 24 00
parker.poland@parker.com

UK – United Kingdom, Warwick

Tel: +44 (0)1926 317 878
parker.uk@parker.com

ZA – South Africa, Kempton Park

Tel: +27 (0)11 961 0700
parker.southafrica@parker.com

North America

CA – Canada, Milton, Ontario

Tel: +1 905 693 3000

US – USA, Cleveland

Tel: +1 216 896 3000

Asia Pacific

AU – Australia, Castle Hill

Tel: +61 (0)2-9634 7777

CN – China, Shanghai

Tel: +86 21 2899 5000

HK – Hong Kong

Tel: +852 2428 8008

IN – India, Mumbai

Tel: +91 22 6513 7081-85

JP – Japan, Tokyo

Tel: +81 (0)3 6408 3901

KR – South Korea, Seoul

Tel: +82 2 559 0400

MY – Malaysia, Shah Alam

Tel: +60 3 7849 0800

NZ – New Zealand, Mt Wellington

Tel: +64 9 574 1744

SG – Singapore

Tel: +65 6887 6300

TH – Thailand, Bangkok

Tel: +662 186 7000

TW – Taiwan, Taipei

Tel: +886 2 2298 8987

South America

AR – Argentina, Buenos Aires

Tel: +54 3327 44 4129

BR – Brazil, Sao Jose dos Campos

Tel: +55 800 727 5374

CL – Chile, Santiago

Tel: +56 2 623 1216

MX – Mexico, Toluca

Tel: +52 72 2275 4200

EMEA Product Information Centre

Free phone: 00 800 27 27 5374

(from AT, BE, CH, CZ, DE, DK, EE, ES, FI, FR, IE, IL, IS, IT, LU, MT, NL, NO, PL, PT, RU, SE, SK, UK, ZA)

US Product Information Centre

Toll-free number: 1-800-27 27 537

www.parker.com

