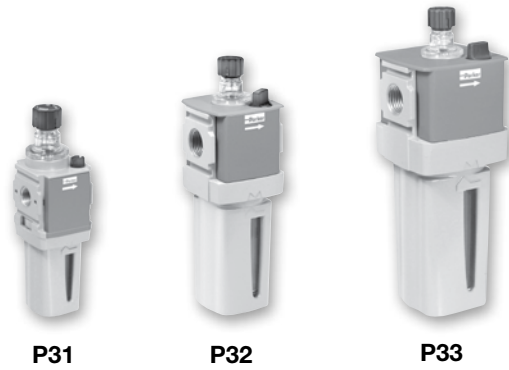


- Integral 1/4", 3/8", 1/2", 3/4" ports (NPT, BSPP & BSPT)
- Robust but lightweight aluminum construction
- Proportional oil delivery over a wide range of air flows
- Finger tip ratchet control for precise oil drip rate adjustment



Operating information

Supply pressure (max): Plastic Bowl 10 bar (150 PSIG)
 Metal Bowl 17 bar (250 PSIG)

Operating temperature: Plastic Bowl -10°C to 52°C (14°F to 125°F)
 Metal Bowl -10°C to 65.5°C (14°F to 150°F)

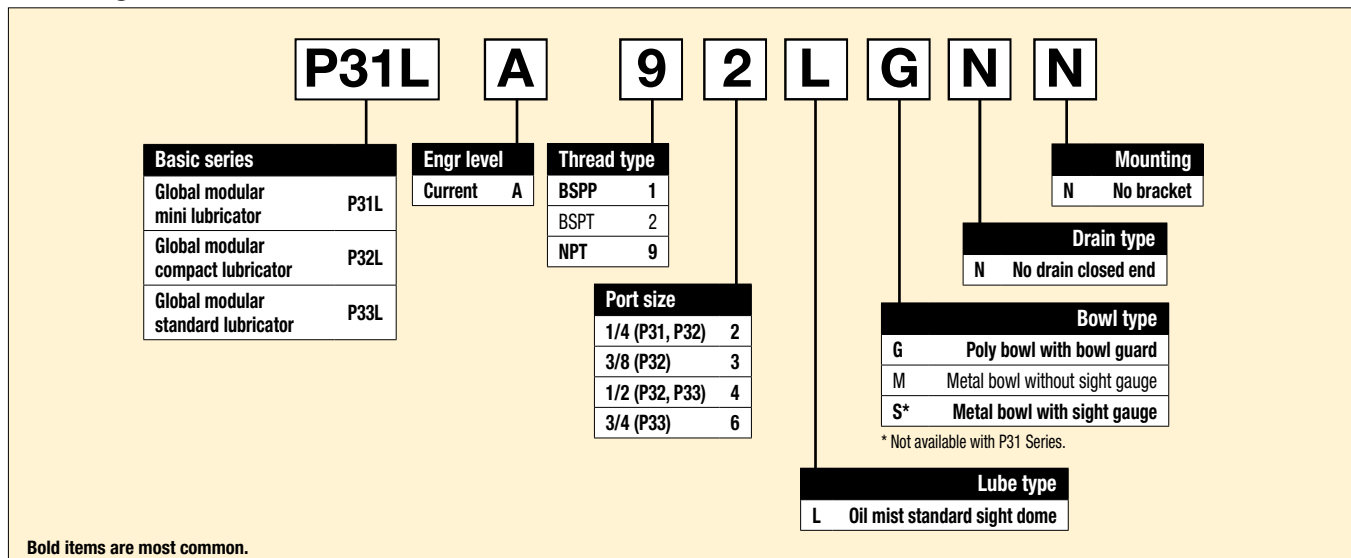
Standard filtration: 5 micron

	P31 (Mini)	P32 (Compact)	P33 (Standard)
Flow Capacity*: 1/4	13 dm ³ /s (28 SCFM)	18 dm ³ /s (38 SCFM)	–
3/8	–	32 dm ³ /s (68 SCFM)	–
1/2	–	47 dm ³ /s (100 SCFM)	48 (102 SCFM)
3/4	–	–	68 dm ³ /s (144 SCFM)

* Inlet pressure 6.3 bar (91.3 PSIG), pressure drop 0.34 bar (4.9 PSIG).

For technical information see CD. For Flow Curve Charts please see page E38.

Ordering information



E

Global Modular Air Preparation Products

Particulate Filters

Coalescing Filters

Regulators

Filter / Regulators

Lubricators

Combinations

Electronic Proportional

Soft Start / Dump Valves

Solenoid Operators

Accessories Flow Charts



Lubricators



Port size	Bowl type	Type	Part number		
			P31	P32	P33
1/4"	Poly / no drain	Mist	P31LA92LGNN	P32LA92LGNN	
1/4"	Metal / no drain	Mist / sight gauge	P31LA92LMNN	P32LA92LSNN	
3/8"	Poly / no drain	Mist		P32LA93LGNN	
3/8"	Metal / no drain	Mist / sight gauge		P32LA93LSNN	
1/2"	Poly / no drain	Mist		P32LA94LGNN	P33LA94LGNN
1/2"	Metal / no drain	Mist / sight gauge		P32LA94LSNN	P33LA94LSNN
3/4"	Poly / no drain	Mist			P33LA96LGNN
3/4"	Metal / no drain	Mist / sight gauge			P33LA96LSNN

Service kits

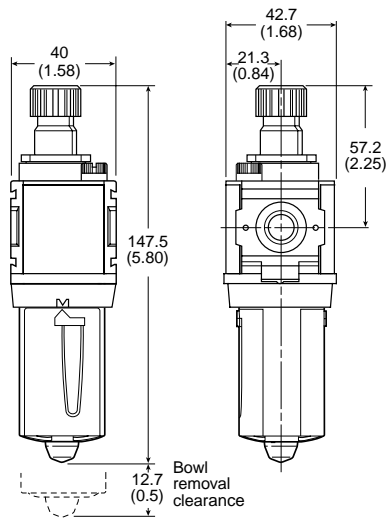
Description	P31	P32	P33
Plastic bowl / bowl guard / no drain	P31KA00BGN	P32KA00BGN	P33KA00BGN
Drip control assembly	P32KA00PG	P32KA00PG	P32KA00PG
Fill plug	P31KA00PL	P32KA00PL	P32KA00PL
C-bracket	Fits to body P31KA00MW		
L-bracket		P32KA00ML	P33KA00ML
T-bracket	Fits to body connector With body connector P31KA00MT	P32KA00MB P32KA00MT	P32KA00MB P32KA00MT
Body connector	P31KA00CB	P32KA00CB	P32KA00CB
Lubricant* (1 quart)	F442001	F442001	F442001

* Petroleum based oil of 100 to 200 SUS viscosity at 38°C (100°F) and an aniline point greater than 93°C (200°F). **DO NOT USE OILS WITH ADDITIVES, COMPOUNDED OILS CONTAINING SOLVENTS, GRAPHITE, DETERGENTS, OR SYNTHETIC OILS.**

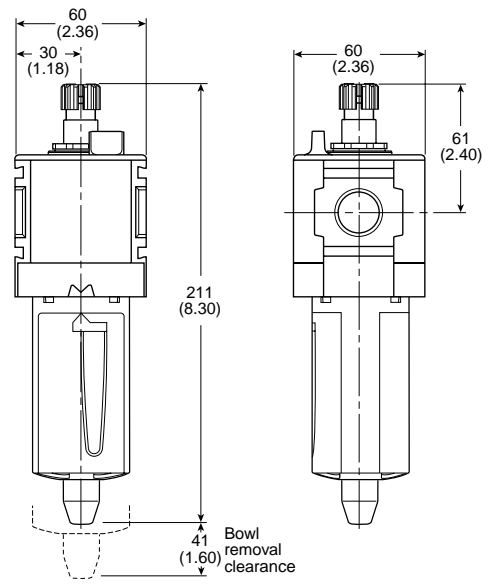
Most popular.



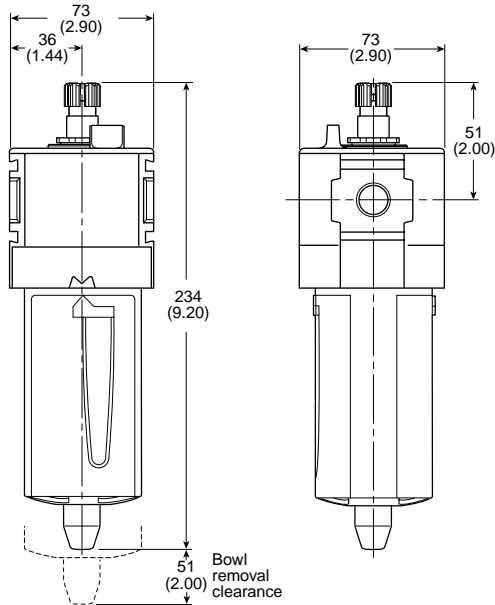
P31



P32



P33



Material Specifications

Description		P31	P32	P33
Body		Aluminum	Aluminum	Aluminum
Body cap		ABS	ABS	ABS
Bowl	Plastic bowl	Polycarbonate	Polycarbonate	Polycarbonate
	Metal bowl	Aluminum	Aluminum	Aluminum
Bowl guard		Nylon	Nylon	Nylon
Seals		Nitrile	Nitrile	Nitrile
Sight dome		Polycarbonate	Polycarbonate	Polycarbonate
Suggested lubricant		ISO / ASTM VG32	ISO / ASTM VG32	ISO / ASTM VG32
Pick-up filter		Sintered bronze	Sintered bronze	Sintered bronze
Sight gauge	Metal bowl	N/A	Polycarbonate	Polycarbonate



Global Modular
Air Preparation Products

Particulate
Filters

Coalescing
Filters

Regulators

Filter/
Regulators

Lubricators

Combinations

Electronic
Proportional

Soft Start/
Dump Valves

Solenoid
Operators

Accessories
Flow Charts