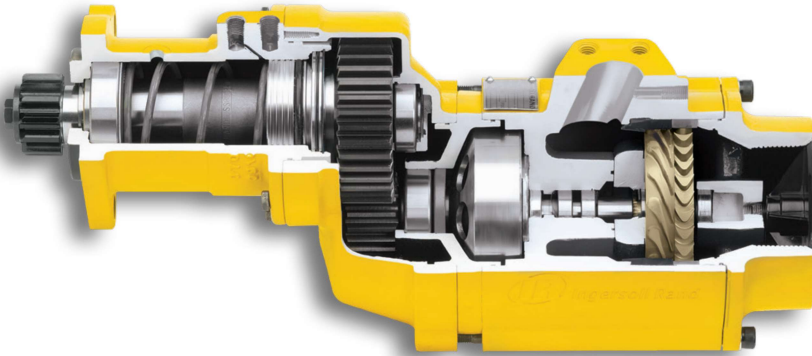


TURBINE STARTERS

ST1000/ST1000M SERIES



For engine displacement of:

Diesel—1000 to 20,000 CID (16 to 320 liters)

Carbureted—2000 to 40,000 CID (32 to 660 liters)

FEATURES/BENEFITS

- Powerful 70 HP turbine motor uses no external lubrication and offers best-in-class efficiency
- Patented, solid aluminum motor design enables reliable operation in harsh, contaminated environments
- Robust gearing handles extended crank cycles
- Patented, fully-supported high-speed rotor extends bearing life by minimizing deflection and ensuring concentric running; a better alternative to cantilever designs

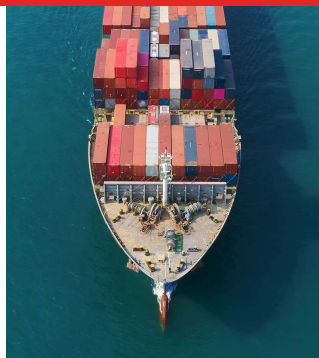
VERSATILE

- Sealed for use in gas and air applications
- Inertia and pre-engaged models
- Left- or right-hand rotation
- 4 inlet, 4 exhaust, and 16 drive housing orientations
- 30-150 psi (2.1-10.3 bars) operation
- Patented slip-fit motor design makes servicing simple and convenient
- ST1000M version with 2-inch NPT inlet reduces the need for piping changes on some competitive models

INDUSTRY APPLICATIONS



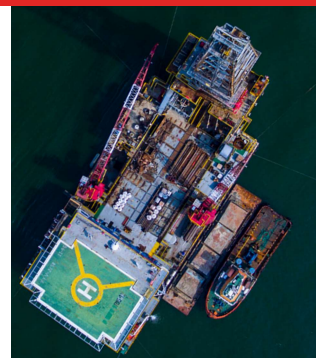
Locomotive



Marine



Off-highway



Oil and Gas



Power generation

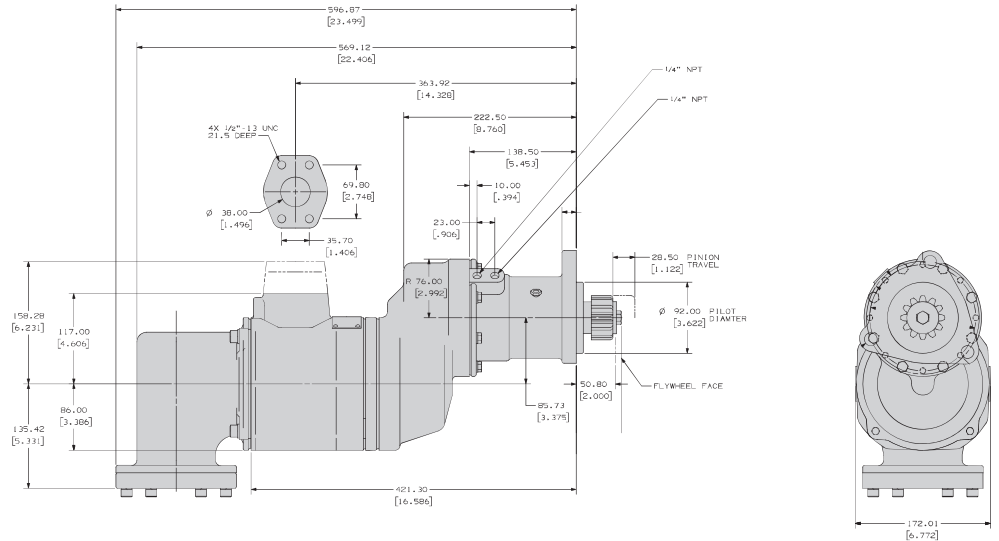
TURBINE STARTERS

DIMENSIONS

PRE-ENGAGED B & C RATIO

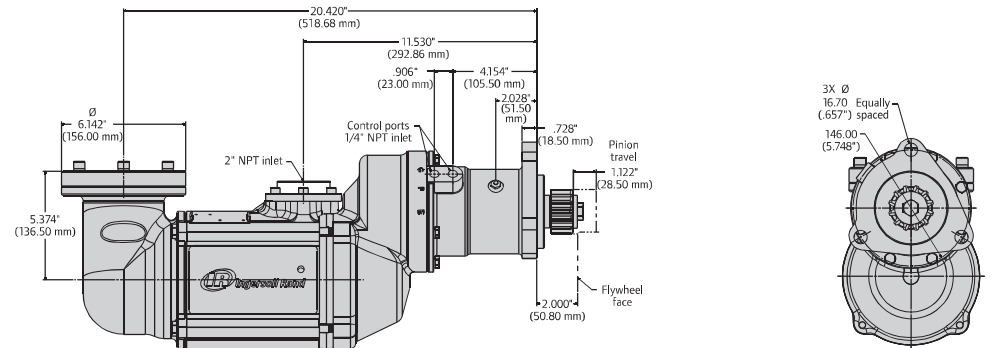
Weight: 76 lbs (34.5 kg)

Note: All dimensions shown are for reference only. Specifications subject to change without notice.



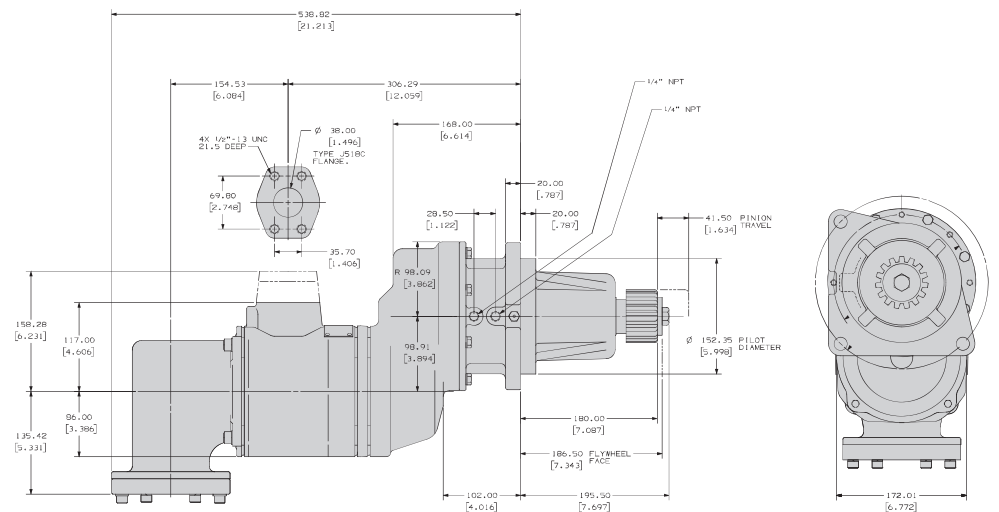
ST1000M

Weight: 76 lbs (34.5 kg)



PRE-ENGAGED D RATIO

Weight: 102 lbs (46.3 kg)



TURBINE STARTERS

PERFORMANCE INFORMATION

Pressure psi (bar)	Breakaway Torque ft-lb (Nm)	Speed @ Max HP rpm	Max Power HP (kW)	Flow @ Max HP scfm (L/s)
ST1060 B RATIO				
30 (2)	53 (71)	1175	7 (5)	370 (175)
60 (4)	115 (156)	1550	20 (15)	590 (278)
90 (6)	220 (298)	1780	39 (29)	820 (387)
120 (8)	295 (400)	1900	53 (39)	1050 (496)
150 (10)	353 (478)	2050	70 (52)	1290 (609)
ST1099 B RATIO				
30 (2)	82 (111)	1425	13 (10)	540 (255)
60 (4)	200 (271)	1850	36 (27)	890 (420)
90 (6)	347 (470)	2060	68 (51)	1240 (585)
ST1060 C RATIO				
30 (2)	62 (84)	1025	7 (5)	370 (175)
60 (4)	143 (194)	1350	20 (15)	590 (278)
90 (6)	256 (347)	1515	39 (29)	820 (387)
120 (8)	342 (463)	1675	53 (39)	1050 (496)
150 (10)	409 (554)	1780	70 (52)	1290 (609)
ST1099 C RATIO				
30 (2)	98 (133)	1225	13 (10)	540 (255)
60 (4)	234 (317)	1580	36 (27)	890 (420)
90 (6)	400 (542)	1770	68 (51)	1240 (585)
ST1060 D RATIO				
30 (2)	85 (115)	765	7 (5)	370 (175)
60 (4)	195 (264)	985	20 (15)	590 (278)
90 (6)	326 (442)	1125	39 (29)	820 (387)
120 (8)	462 (626)	1205	53 (39)	1050 (496)
150 (10)	557 (755)	1650	70 (52)	1290 (609)
ST1099 D RATIO				
30 (2)	132 (179)	900	13 (10)	540 (255)
60 (4)	318 (431)	1170	36 (27)	890 (420)
90 (6)	540 (732)	1300	68 (51)	1240 (585)

TURBINE STARTERS

GENUINE INGERSOLL RAND REPLACEMENT KITS

Tune Up Kit Part Number	Description
ST700P-TK7	Pre-engaged Tune Up Kit
ST700I-TK6	Inertia Tune Up Kit
ST700D-TK8	D Ratio Tune Up Kit
ST1000-SK1	Seal Kit
ST1000-GK1	Planetary Gear Kit
ST1000R-K53-37	Rotor Replacement Kit (RH)

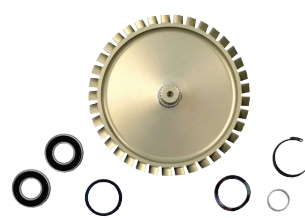


ST700P-TK7 Parts



ST1000-SK1 Parts

Tune Up Kit Part Number	Description
ST1000L-K53-37	Rotor Replacement Kit (LH)
ST1000-K24	Rotor Bearing Kit
ST1000R-K212	Motor Adapter Kit (RH)
ST1000L-K212	Motor Adapter Kit (LH)
ST1000K-562	Straight Exhaust Kit
ST1000K-350	Elbow Exhaust Kit



ST1000R-K53-37
and ST1000L-K53-37 Parts



ST1000K-350 Part

PARTS AND ACCESSORIES

	Part Number	Description
	ST700-K166	Inlet Flange Kit
	ST700-K351	Exhaust Flange Kit
	SRV150	1 1/2" Relay Valve for Air
	SRV150SS	1 1/2" Gas Rated Relay Valve
	ST000-267-24	1 1/2" Strainer Housing
	ST1000-267-32	2" Strainer Housing

	Part Number	Description
	ST1000-266-24	1 1/2" Strainer (40 mesh)
	ST1000-266-32	2" Strainer (40 mesh)
	SMB-618	Push Button Valve
	SMB-G618	Gas Rated Push Button Valve
	38600714 (RR152-F30)	High Pressure Regulator Relay Valve (for use with air only)
	38754917 (RR152-F30-14)	1 1/2" 90 Degree 1 1/2" In-line