

**BALDOR® • RELIANCE®**

---

# Customer information packet

## 35X834T481H1

5HP, 3450RPM, 3PH, 60HZ, 182TCZ, 3535M, OPSB, F

Class -

Division - Not Applicable

## Specifications

Enclosure	ODP
Frame	182TCZ
Frame Material	Steel
Frequency	60.00 Hz
Motor Letter Type	Three Phase
Output @ Frequency	5.000 HP @ 60 HZ
Phase	3
Synchronous Speed @ Frequency	3600 RPM @ 60 HZ
Voltage @ Frequency	208.0 V @ 60 HZ 230.0 V @ 60 HZ 460.0 V @ 60 HZ
XP Division	Not Applicable
Agency Approvals	CSA UR
Ambient Temperature	40 °C
Auxillary Box	No Auxillary Box
Auxillary Box Lead Termination	None
Base Indicator	RG
Bearing Grease Type	Polyrex EM (-20F +300F)
Blower	None
Current @ Voltage	6.100 A @ 460.0 V 13.000 A @ 208.0 V 12.200 A @ 230.0 V
Design Code	B
Drip Cover	No Drip Cover
Duty Rating	CONT
Efficiency @ 100% Load	85.5 %
Electrically Isolated Bearing	Not Electrically Isolated
Feedback Device	NO FEEDBACK
Front Face Code	Standard
Front Shaft Indicator	None
Heater Indicator	No Heater

## Part detail

Revision	L
Type	AC
Mech. spec.	35X834
Base	
Status	INA/A
Elec. spec.	35WGT481
Layout	35LYX834
Eff. date	04-09-2016
CD Diagram	CD0005
Poles	02
Leads	9#18
Proprietary	False
Created date	06-30-2010

High Voltage Full Load Amps	6.1 a
Insulation Class	F
Inverter Code	Not Inverter
KVA Code	J
Lifting Lugs	No Lifting Lugs
Locked Bearing Indicator	Locked Bearing
Motor Lead Exit	Ko Box
Motor Lead Quantity/Wire Size	9 @ 18 AWG
Motor Lead Termination	Flying Leads
Motor Standards	NEMA
Motor Type	3535M
Mounting Arrangement	F1
Number of Poles	2
Overall Length	19.13 IN
Power Factor	89
Product Family	General Purpose
Pulley End Bearing Type	Ball
Pulley Face Code	C-Face
Pulley Shaft Indicator	Tapped & Key
Rodent Screen	Included
Service Factor	1.15
Shaft Diameter	0.875 IN
Shaft Extension Location	Pulley End
Shaft Ground Indicator	No Shaft Grounding
Shaft Rotation	Reversible
Shaft Slinger Indicator	Shaft Slinger
Speed	3450 rpm
Speed Code	Single Speed
Starting Method	Direct on line
Thermal Device - Bearing	None
Thermal Device - Winding	None
Vibration Sensor Indicator	No Vibration Sensor
Winding Thermal 1	None
Winding Thermal 2	None

**Nameplate**

NP1256L									
<b>CAT.NO.</b>									
<b>SPEC.</b>	35X834T481H1								
<b>HP</b>	5								
<b>VOLTS</b>	208-230/460								
<b>AMP</b>	13-12.2/6.1								
<b>RPM</b>	3450								
<b>FRAME</b>	182TCZ	<b>HZ</b>	60	<b>PH</b>	3				
<b>SER.F.</b>	1.15	<b>CODE</b>	J	<b>DES</b>	B	<b>CLASS</b>	F		
<b>NEMA-NOM-EFF</b>	85.5	<b>PF</b>	89						
<b>RATING</b>	40C AMB-CONT								
<b>CC</b>					<b>USABLE AT 208V</b>	N/A			
<b>DE</b>	6307	<b>ODE</b>	6203						
<b>ENCL</b>	OPSB	<b>SN</b>							

**AC Induction Motor Performance Data**

Record # 36640

Typical performance - not guaranteed values

<b>Winding:</b> 35WGT481-R003		<b>Type:</b> 3534M		<b>Enclosure:</b> OPSB	
<b>Nameplate Data</b>			<b>460 V, 60 Hz: High Voltage Connection</b>		
<b>Rated Output (HP)</b>	5	<b>Full Load Torque</b>	7.81 LB-FT		
<b>Volts</b>	208-230/460	<b>Start Configuration</b>	direct on line		
<b>Full Load Amps</b>	13-12.2/6.1	<b>Breakdown Torque</b>	30.89 LB-FT		
<b>R.P.M.</b>	3450	<b>Pull-up Torque</b>	23.14 LB-FT		
<b>Hz</b>	60 <b>Phase</b>	3	<b>Locked-rotor Torque</b>	27.15 LB-FT	
<b>NEMA Design Code</b>	<b>B KVA Code</b>	J	<b>Starting Current</b>	51.63 A	
<b>Service Factor (S.F.)</b>		1.15	<b>No-load Current</b>	2.41 A	
<b>NEMA Nom. Eff.</b>	85.5 <b>Power Factor</b>	89	<b>Line-line Res. @ 25°C</b>	3.08 Ω	
<b>Rating - Duty</b>		40C AMB-CONT	<b>Temp. Rise @ Rated Load</b>	55°C	
<b>S.F. Amps</b>			<b>Temp. Rise @ S.F. Load</b>	67°C	
			<b>Locked-rotor Power Factor</b>	52.2	
			<b>Rotor inertia</b>	0.0931 LB-FT <sup>2</sup>	

**Load Characteristics 460 V, 60 Hz, 5 HP**

<b>% of Rated Load</b>	<b>25</b>	<b>50</b>	<b>75</b>	<b>100</b>	<b>125</b>	<b>150</b>	<b>S.F.</b>
<b>Power Factor</b>	56	77	86	91	93	93	92
<b>Efficiency</b>	80.9	86.1	86.8	86	84.4	82.3	85.2
<b>Speed</b>	3560	3524	3485	3443	3395	3344	3420
<b>Line amperes</b>	2.81	3.69	4.9	6.13	7.62	9.26	7.03

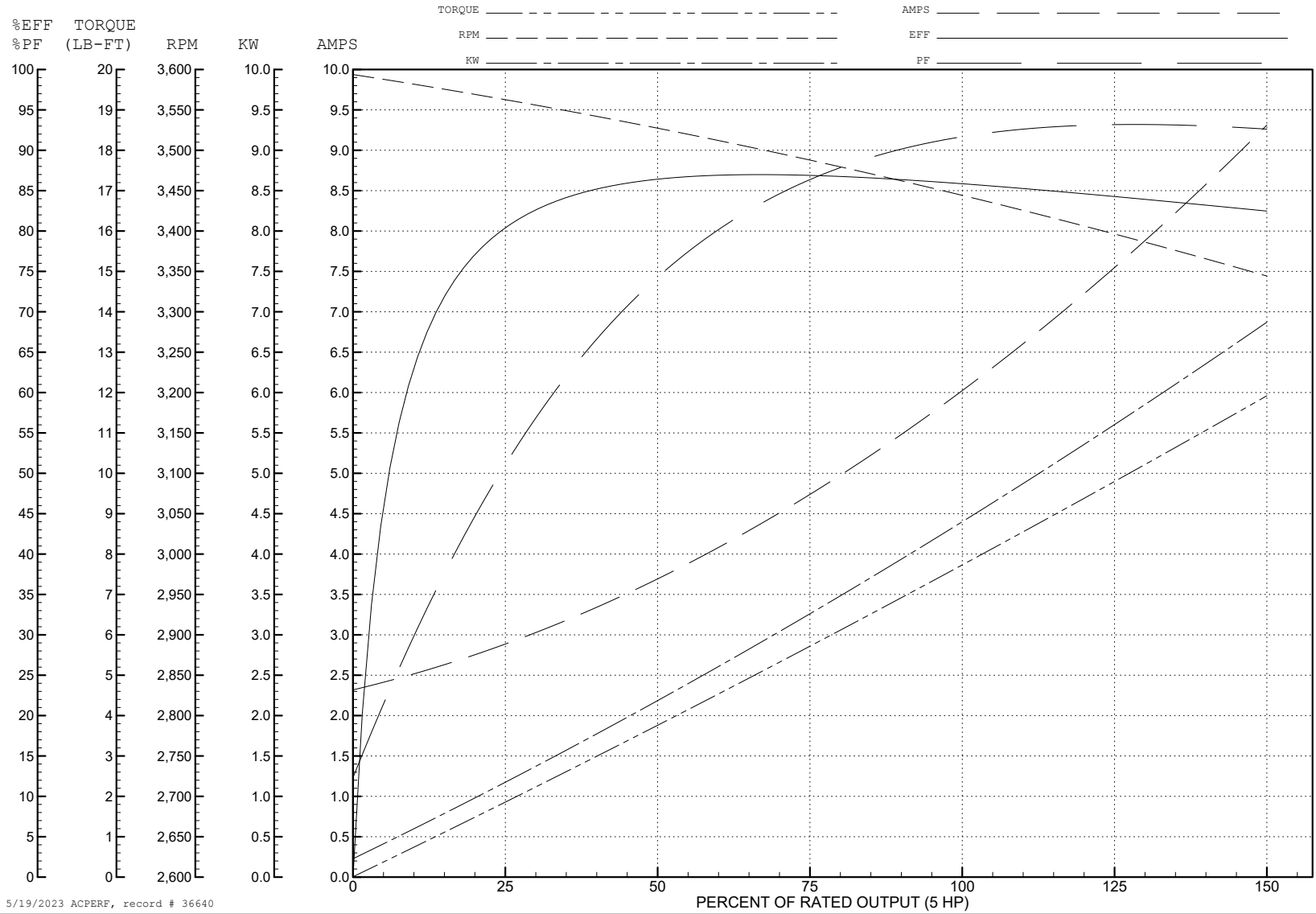
ABB Motors and Mechanical Inc.

WINDING # 35WGT481

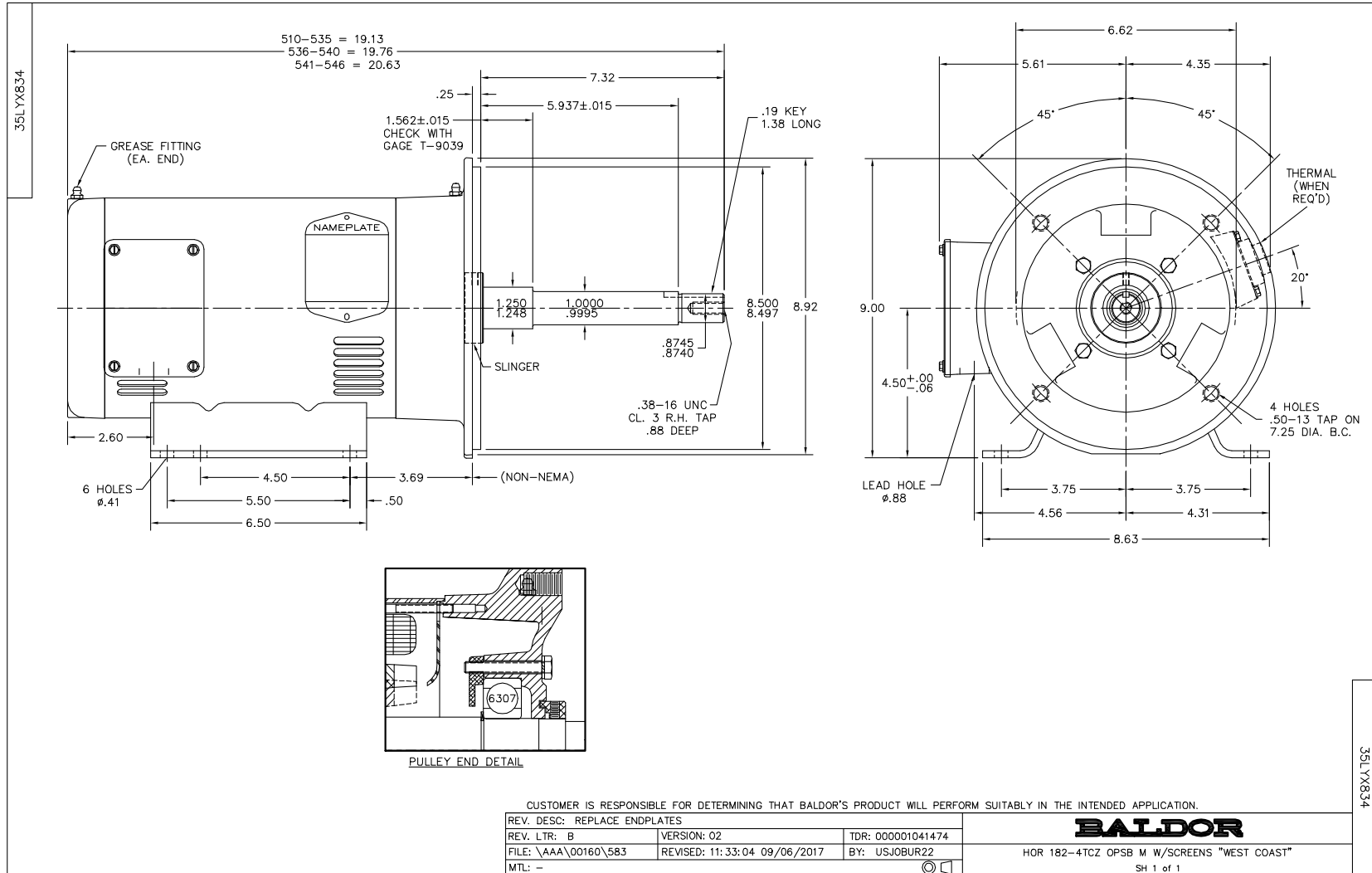
5 HP 3 PH 60 HZ 3450 RPM 460 V 3534M

Typical performance - not guaranteed values.

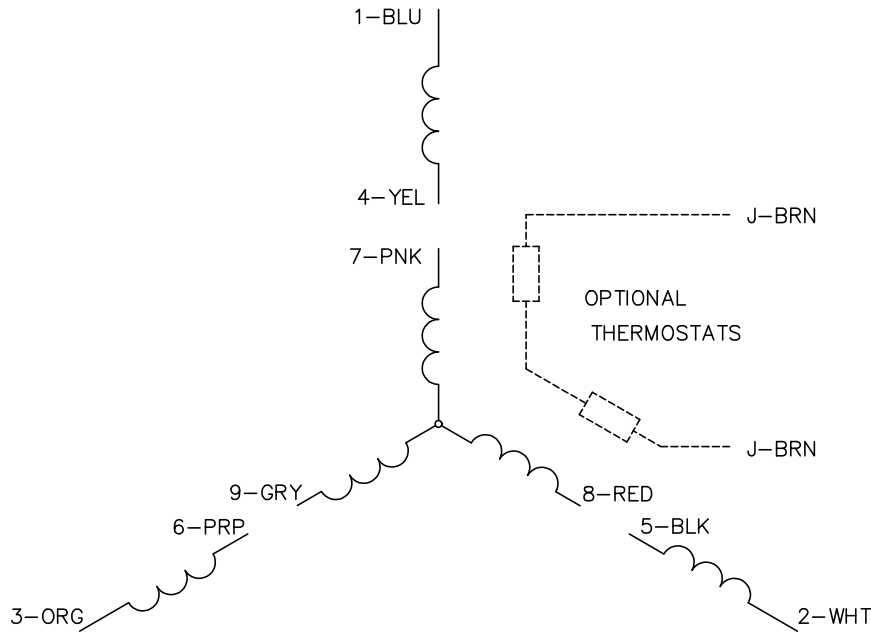
TORQUES (LB-FT): PO=30.89 PU=23.14 LR=27.15 LRA=51.63



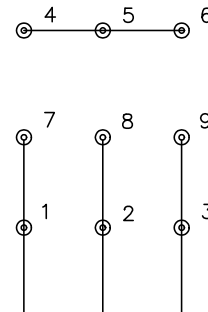
5/19/2023 ACPERF, record # 36640



CD0005

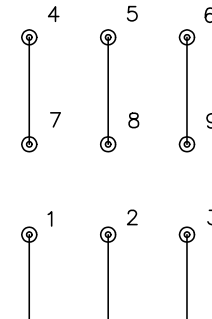


LOW VOLTAGE  
(2Y)



LINE

HIGH VOLTAGE  
(1Y)



LINE

NOTES:

1. INTERCHANGE ANY TWO LINE LEADS TO REVERSE ROTATION.
2. OPTIONAL THERMOSTATS ARE PROVIDED WHEN SPECIFIED.
3. ACTUAL NUMBER OF INTERNAL PARALLEL CIRCUITS MAY BE A MULTIPLE OF THOSE SHOWN ABOVE.
4. LEAD COLORS ARE OPTIONAL. LEADS MUST ALWAYS BE NUMBERED AS SHOWN.

CD0005

REV. DESC: REVISE TO SHOW OPTIONAL COLORS			
REV. LTR: E	BY: JLP	REVISED: 01/19/99 10:15	TDR: 0171435
S00000		FILE: AAA00005140	MDL: -
		MTL: -	

BALDOR ELECTRIC Co.

3PH, DV, 9 LEADS